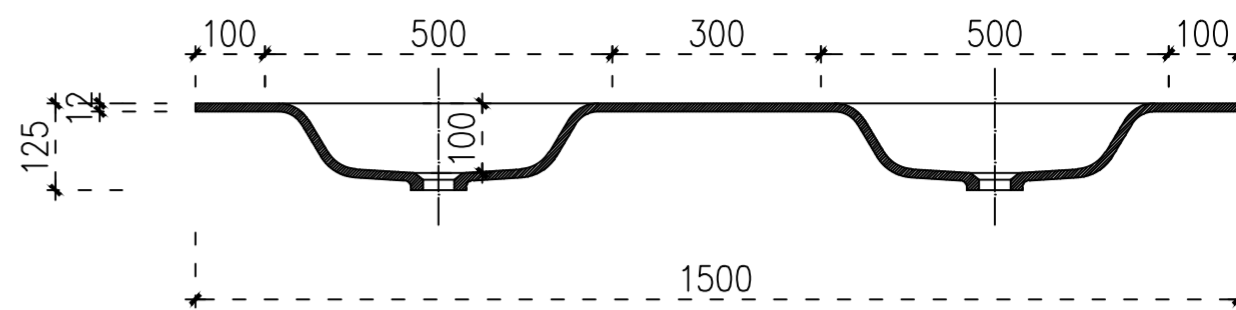
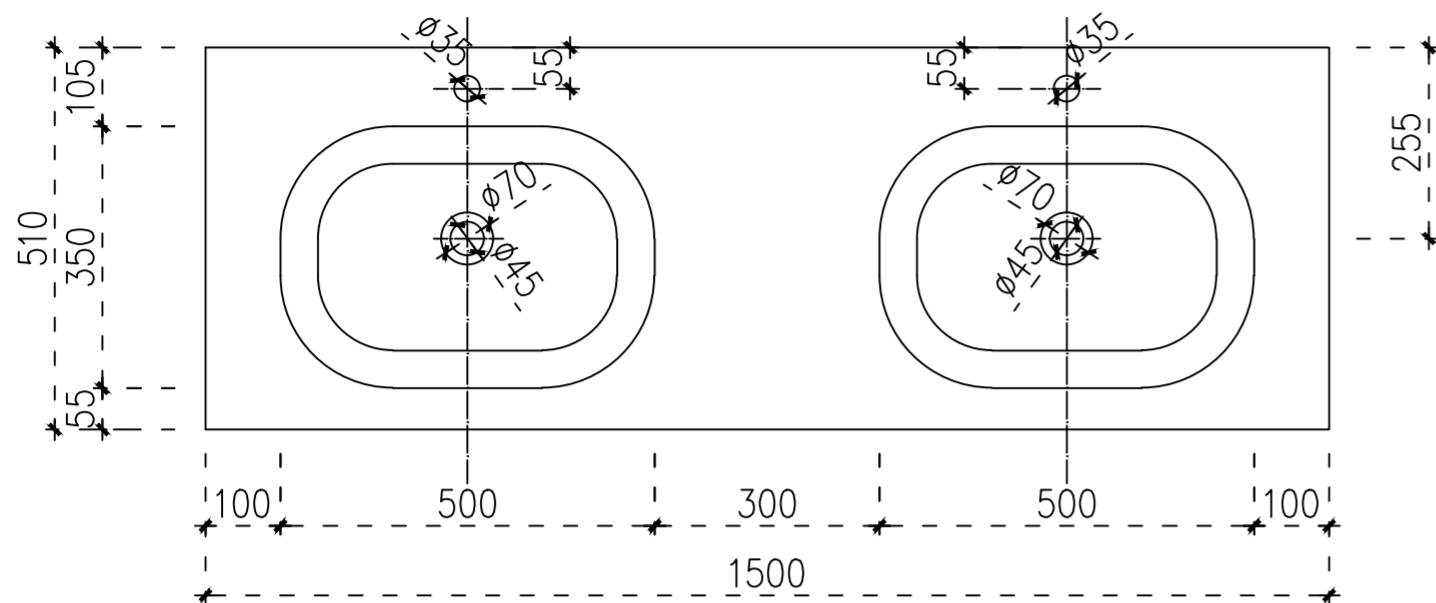


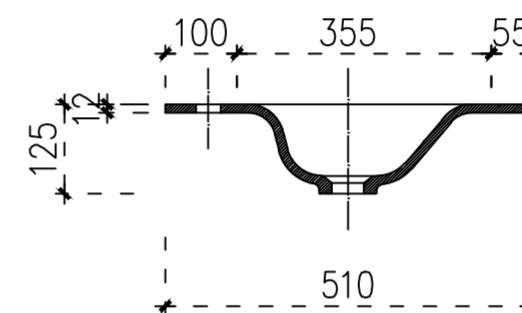
Basin

Top View - Section View

Top View

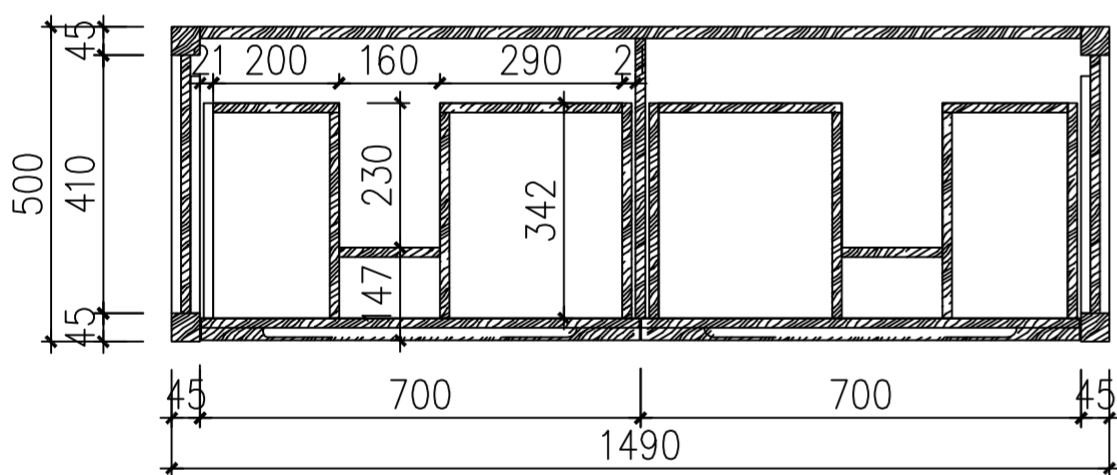


Side View - Section View

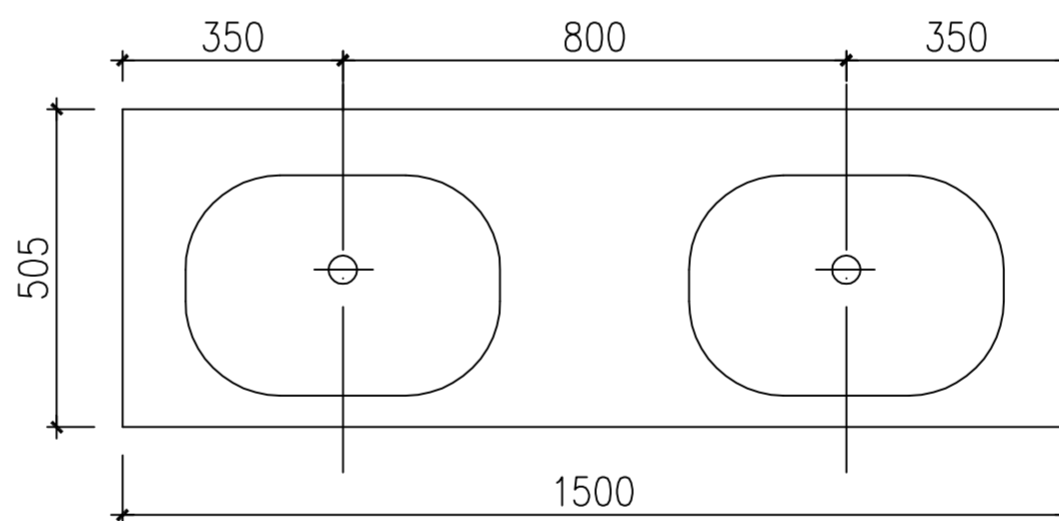


Vanity

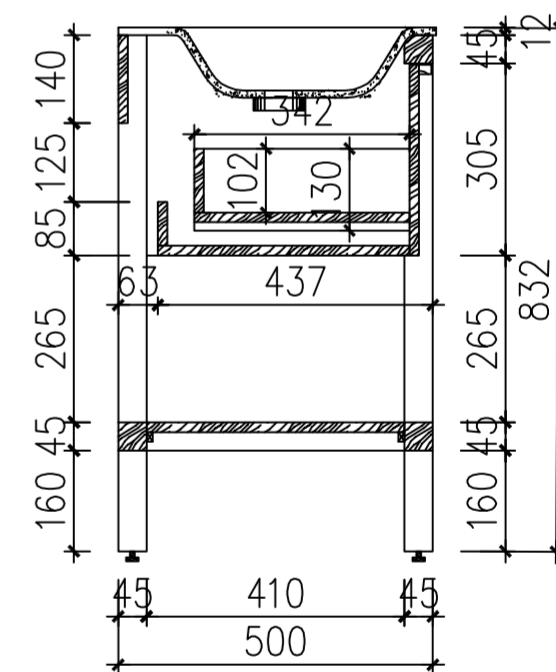
Top View - Section View



Top View



Side View - Section View



All dimensions provided in millimeters.
All vanity units are supplied with no tap hole (s). If you require a tap hole, you will need to use a standard 38mm hole-saw drill attachment.

LUSO

Product Name	Dorchester 1500 Vanity Unit & Basin
Product Size, mm	
Vanity Unit	1500 x 505 x 844
Basin	1500 x 510 x 125

