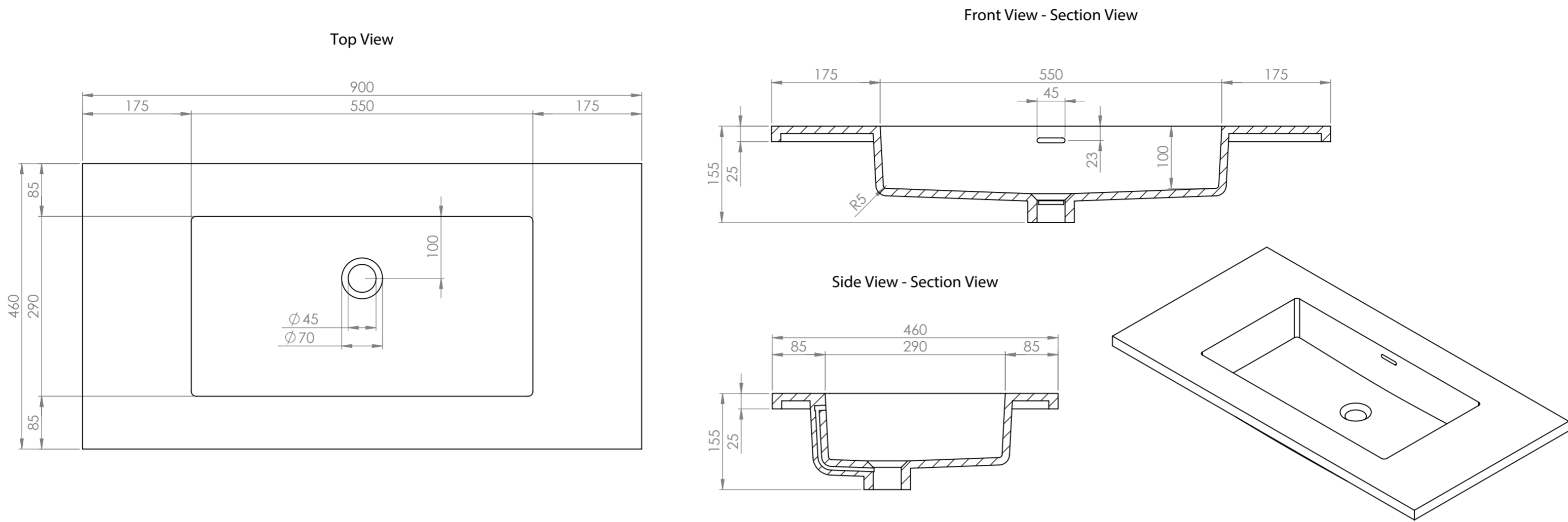
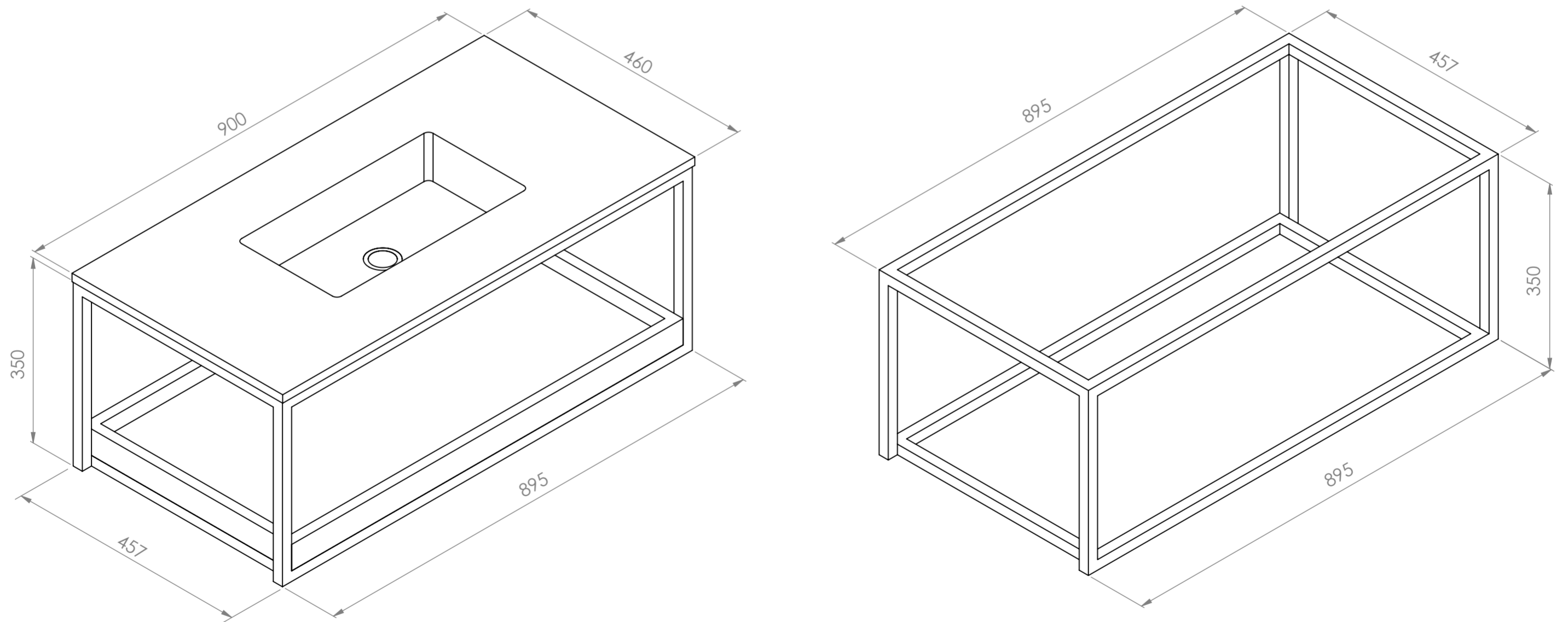


Basin



Vanity



All dimensions provided in millimeters.
 All vanity units are supplied with no tap hole (s). If you require a tap hole,
 you will need to use a standard 38mm hole-saw drill attachment.

LUSSO	Product Name	Aria 900 Vanity Unit & Basin
	Product Size, mm	
	Vanity Unit	900 x 460 x 375
	Basin	900 x 460 x 155