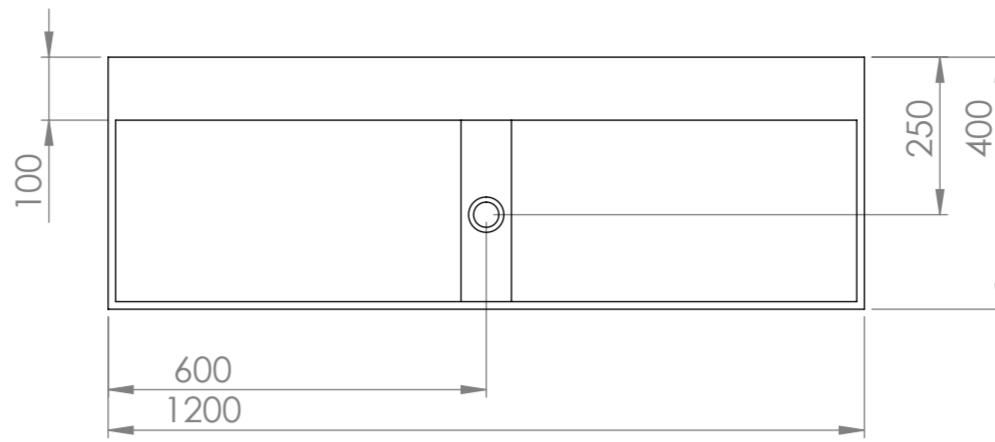
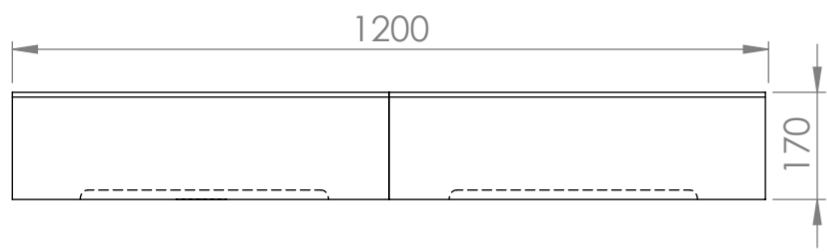


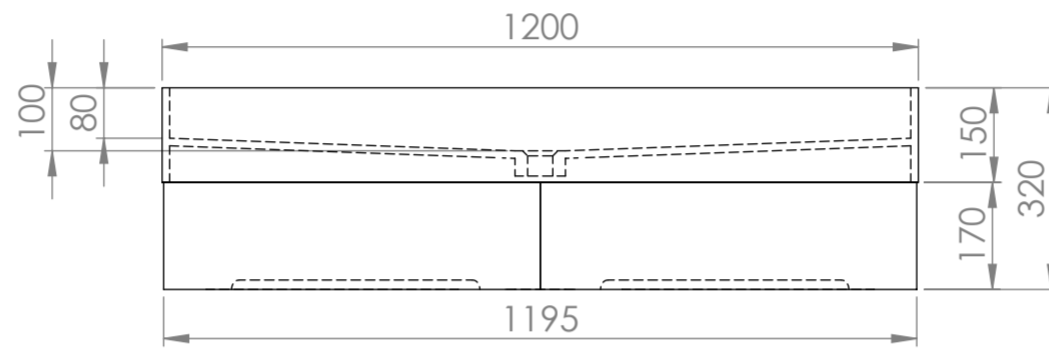
Top View



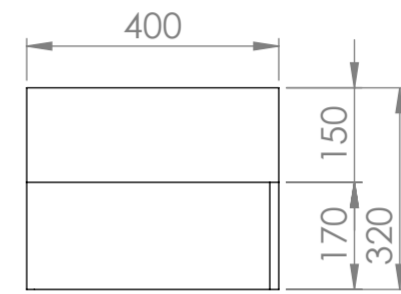
Front View



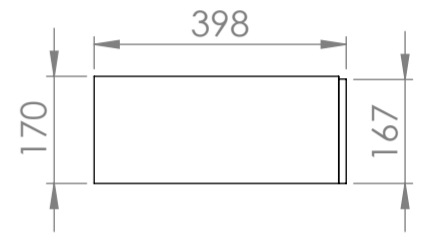
Front View



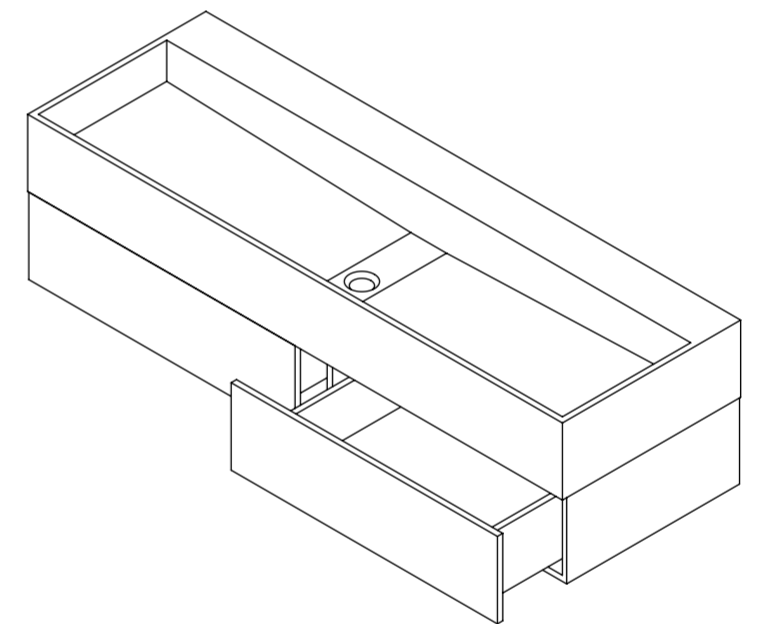
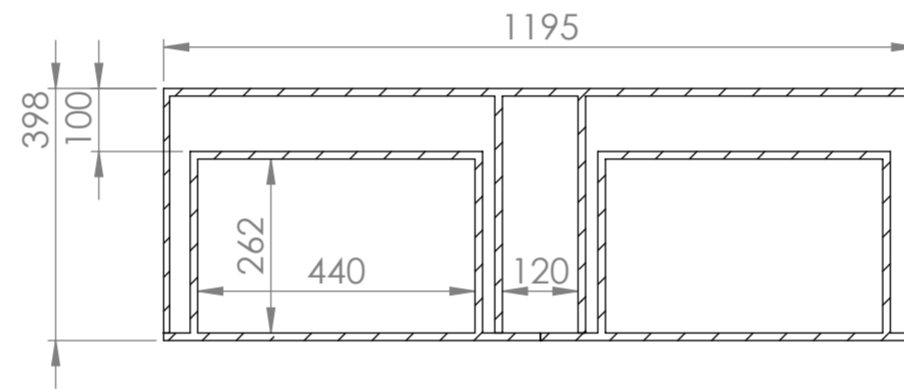
Side View



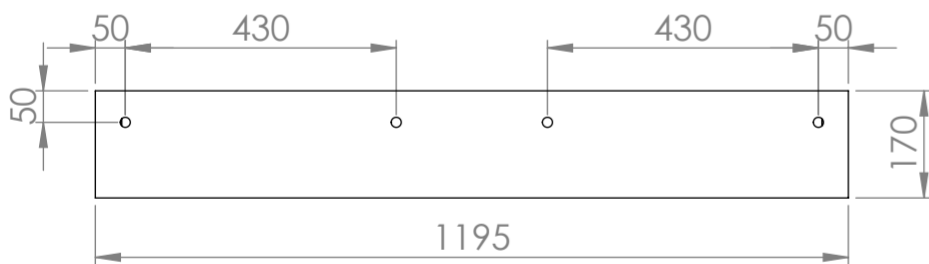
Side View



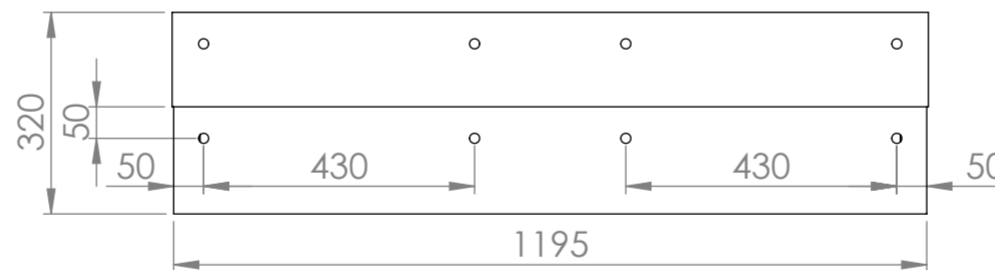
Top View - Section View



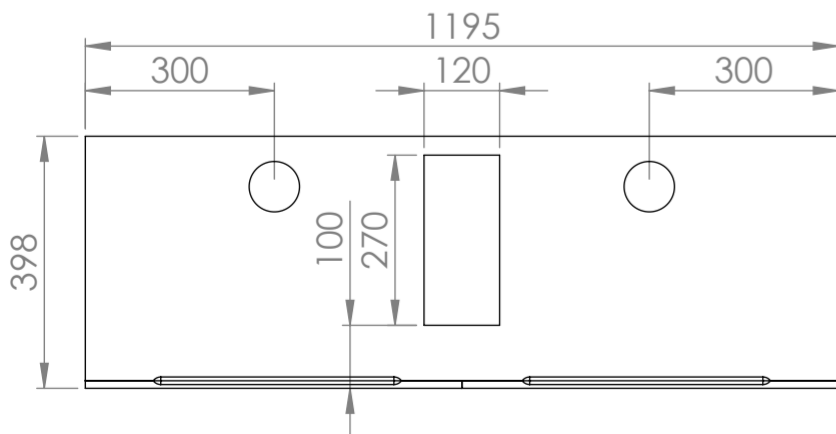
Back View



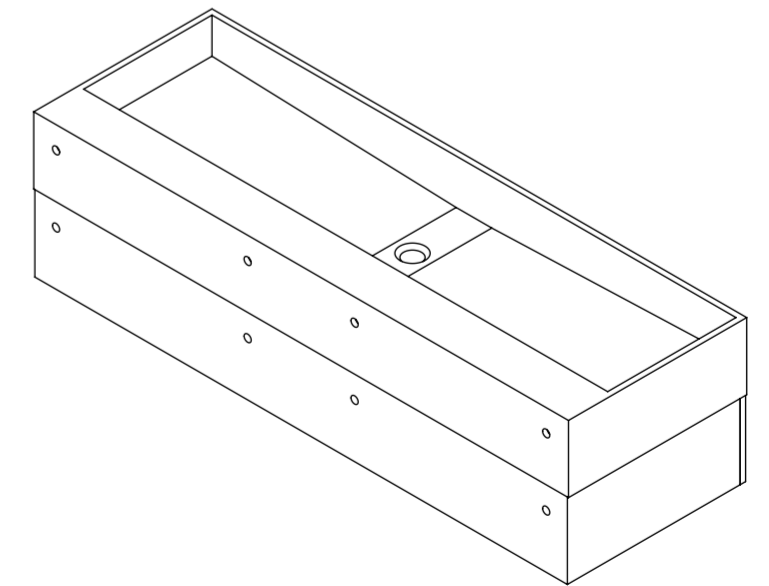
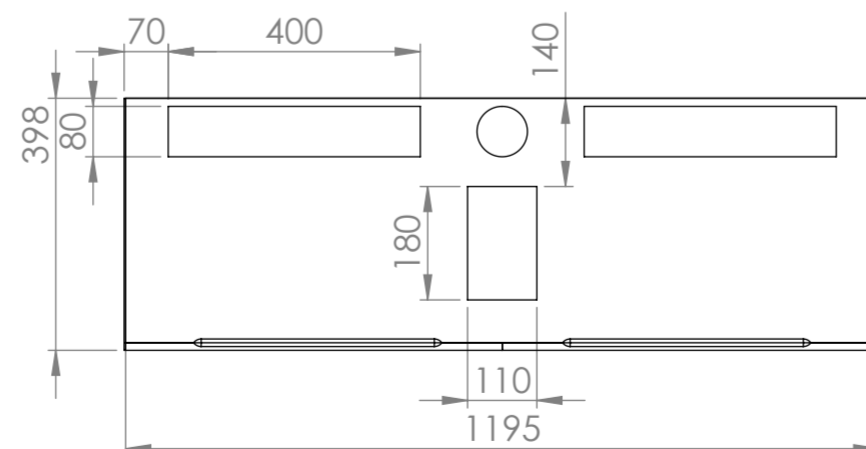
Back View



Bottom View



Bottom View



**LUSO**

Product Name	Thinn His & Hers Vanity
Material	Stone Resin
Size, mm	1200 x 400 x 320

All dimensions provided in millimeters.  
All vanity units are supplied with no tap hole (s). If you require a tap hole, you will need to use a standard 38mm hole-saw drill attachment.