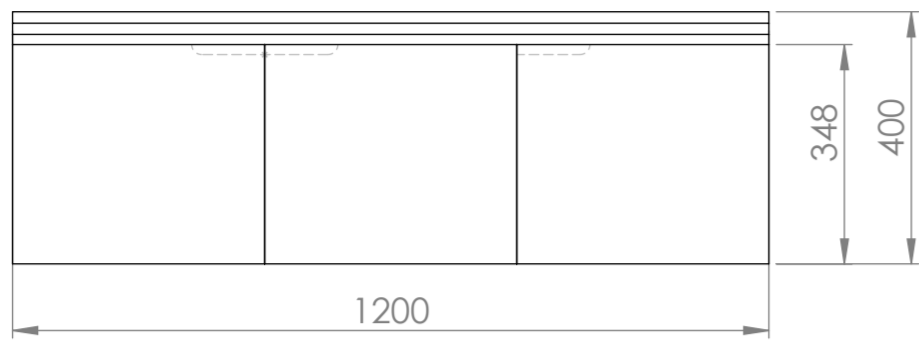
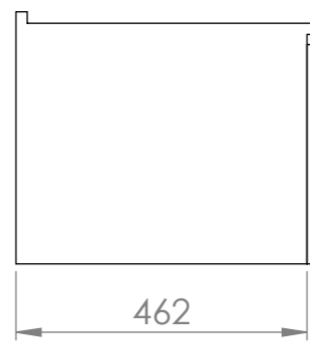


Front View



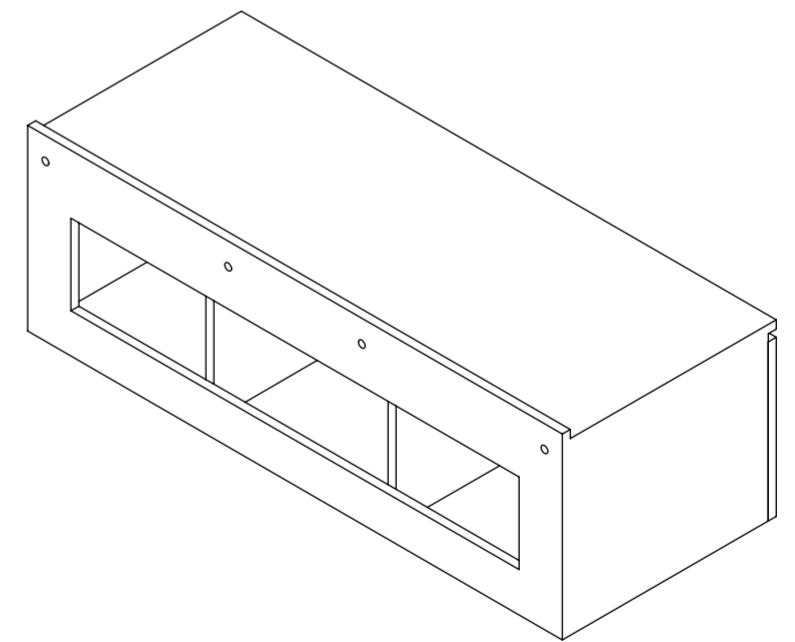
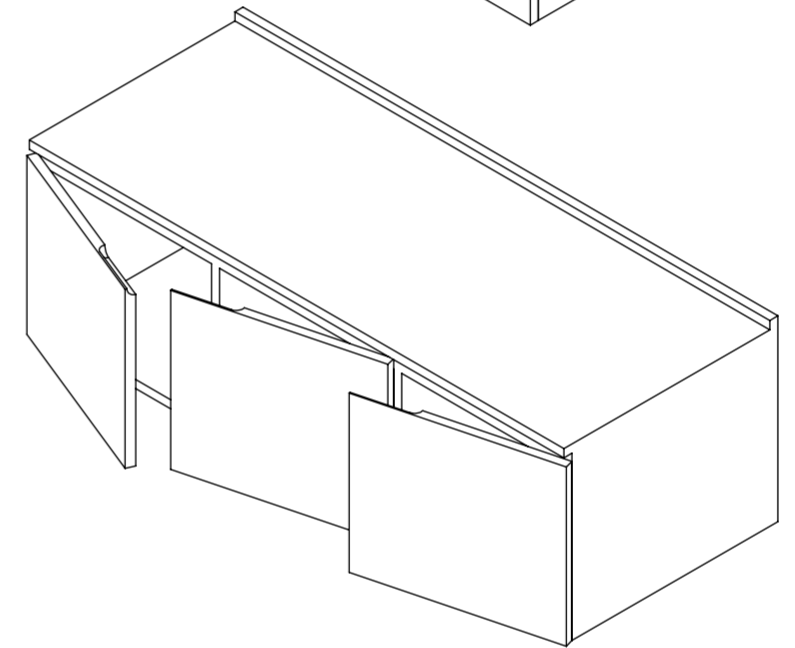
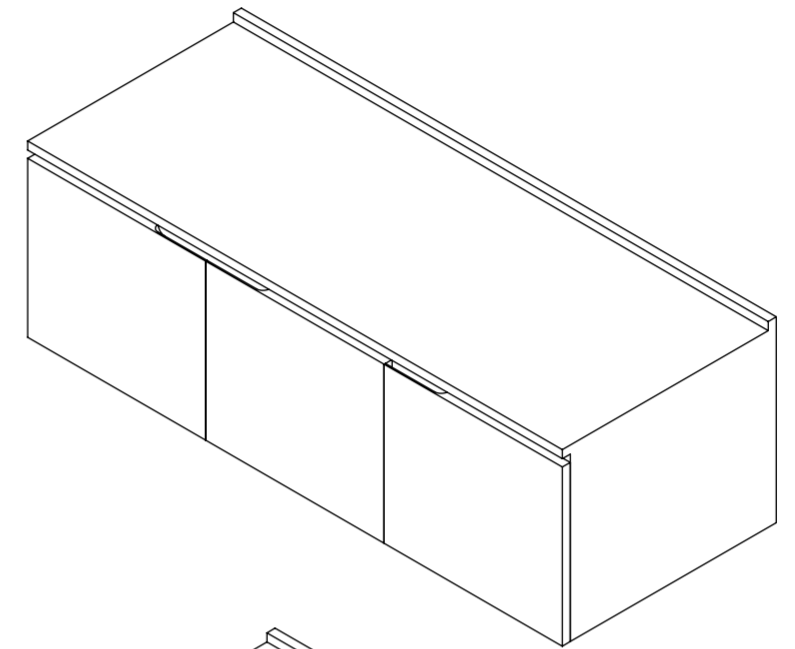
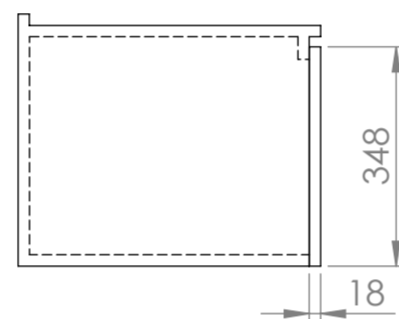
Side View



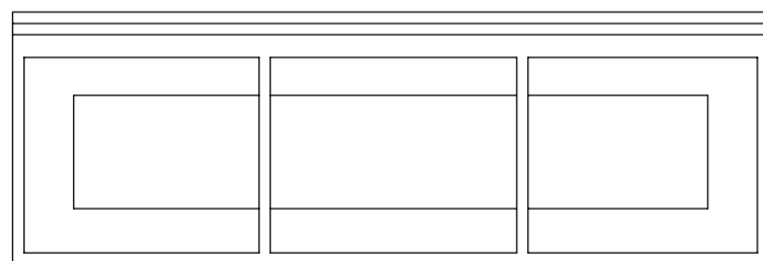
Top View



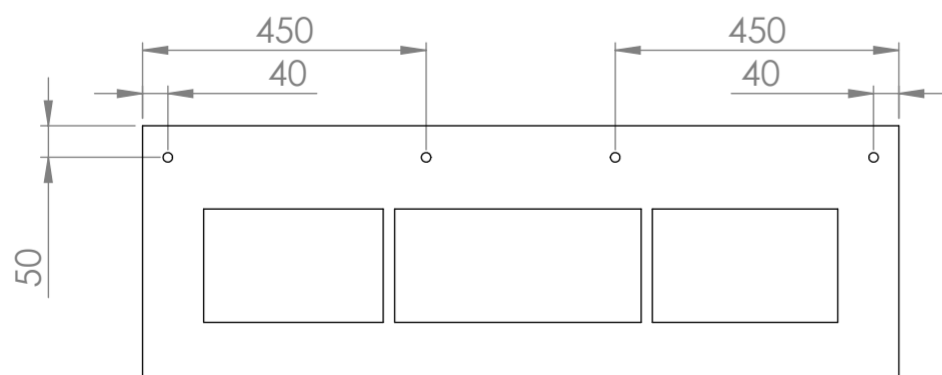
Side View - Section View



Front View (Excluding doors)



Back View



LUSO

Product Name	Luxor 1200
Material	Stone Resin
Size, mm	1200 x 400 x 480

*All dimensions provided in millimeters.
All vanity units are supplied with no tap hole (s). If you require a tap hole, you will need to use a standard 38mm hole-saw drill attachment.*