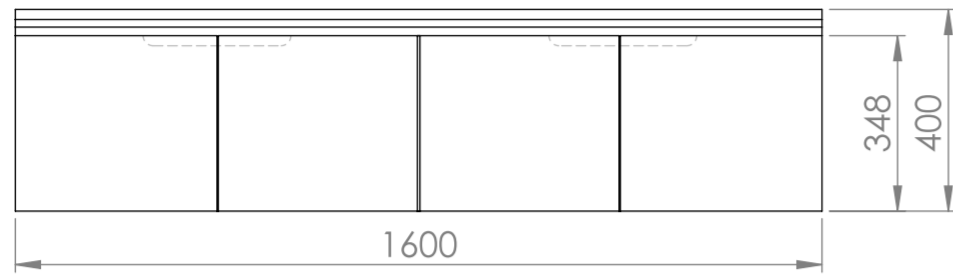
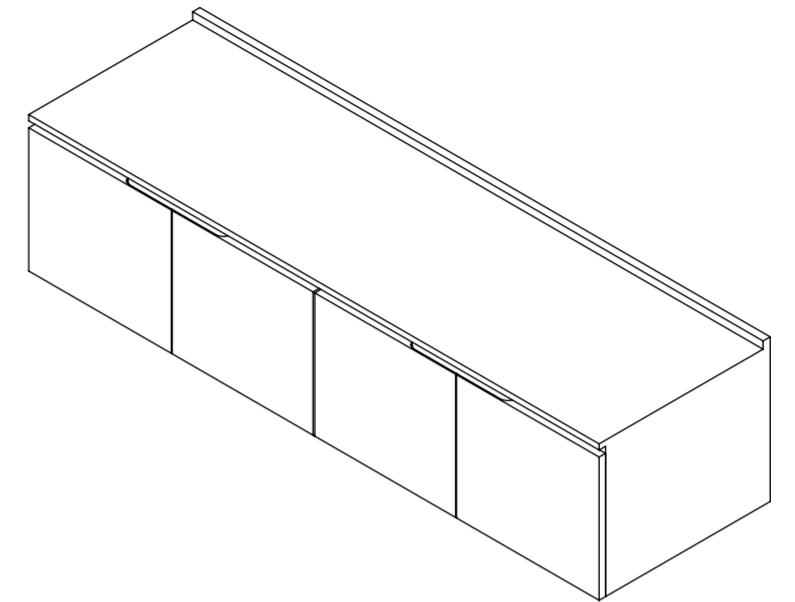
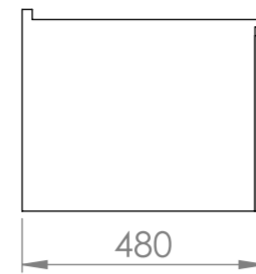


Front View



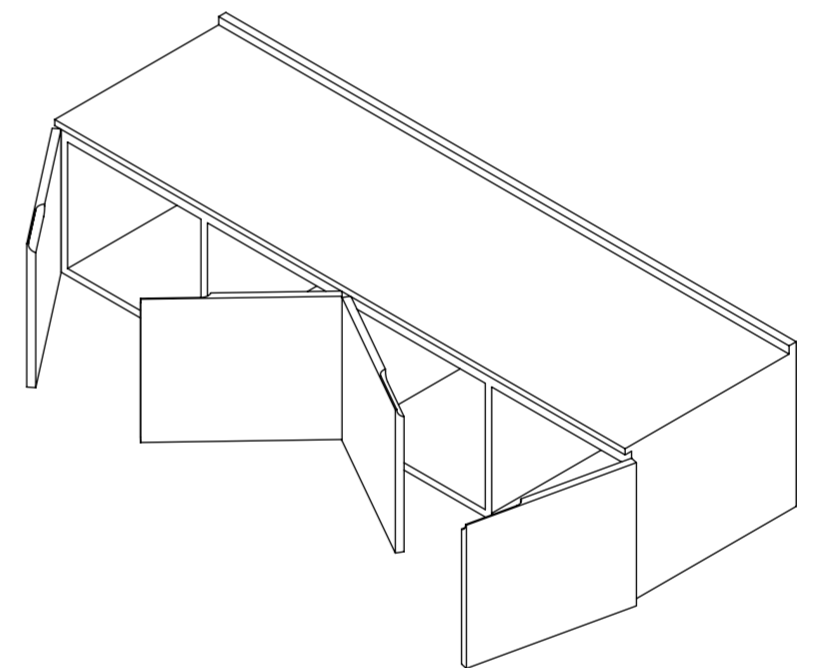
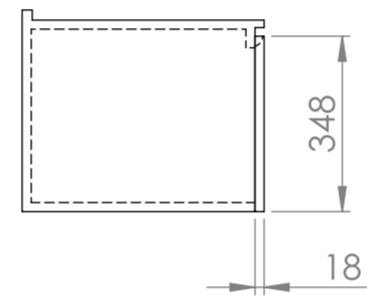
Side View



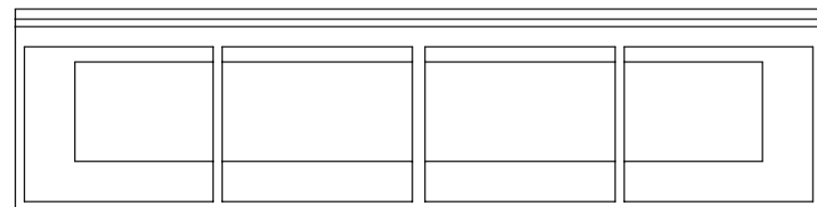
Top View



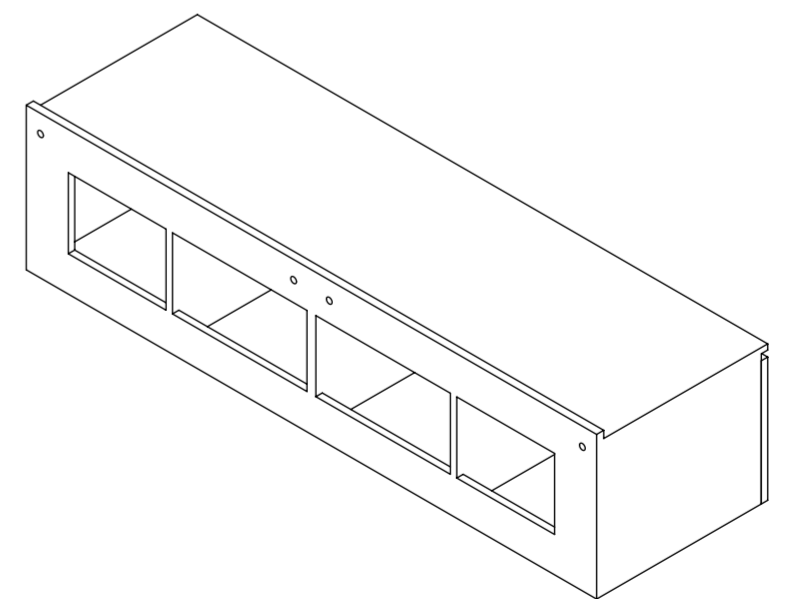
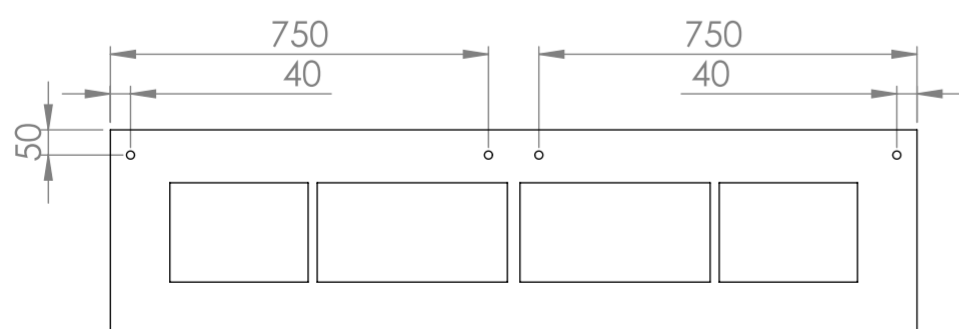
Side View



Front View (Excluding Doors)



Back View



**LUSO**

Product Name	Luxor 1600
Material	Stone Resin
Size, mm	1600 x 480 x 400

*All dimensions provided in millimeters.  
All vanity units are supplied with no tap hole (s). If you require a tap hole, you will need to use a standard 38mm hole-saw drill attachment.*