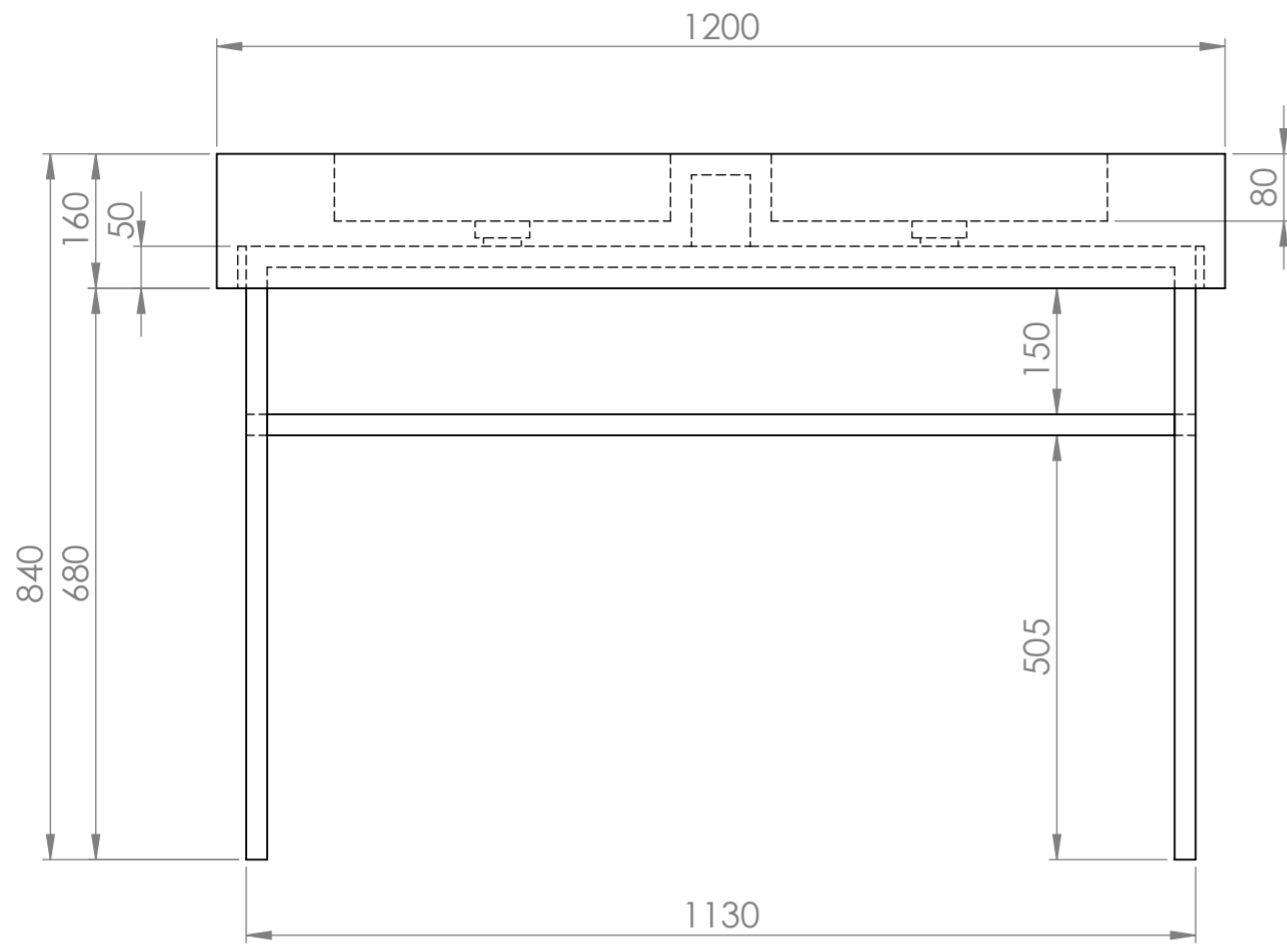
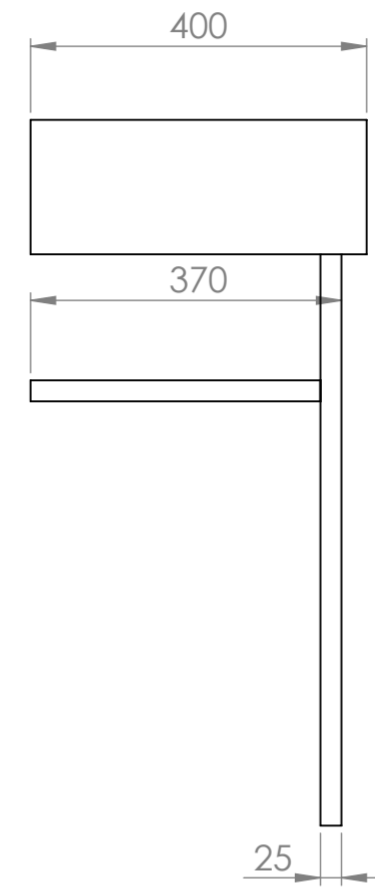


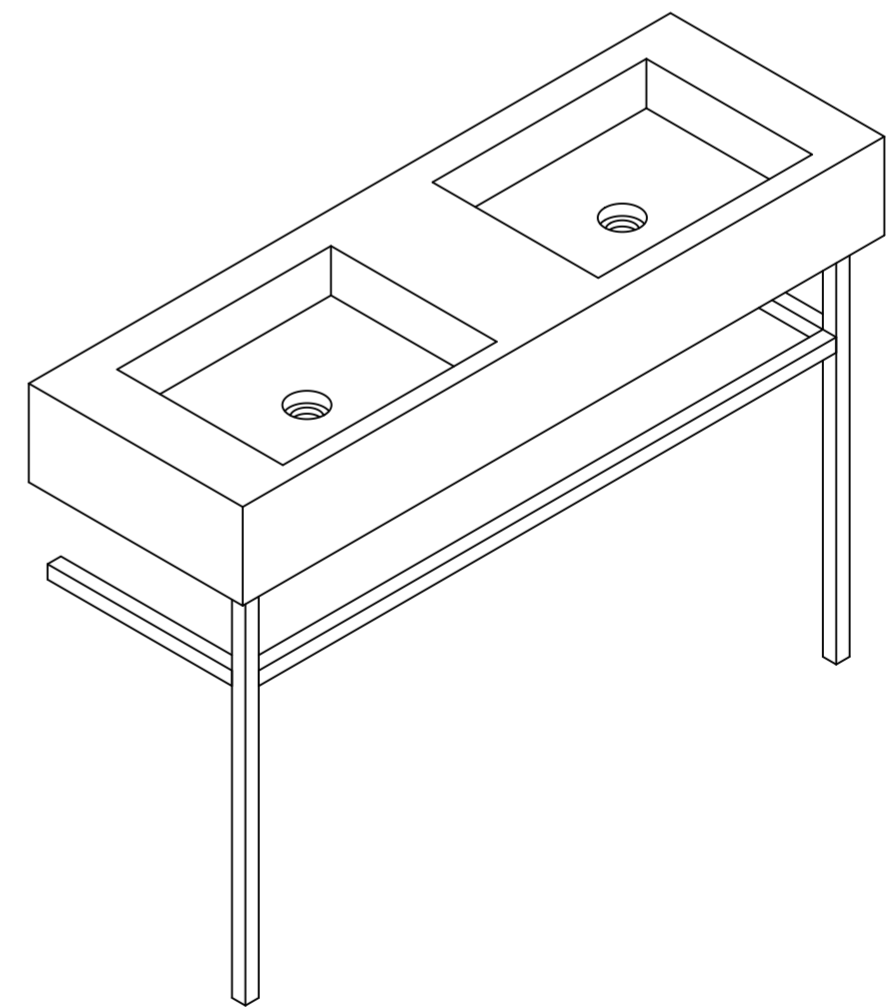
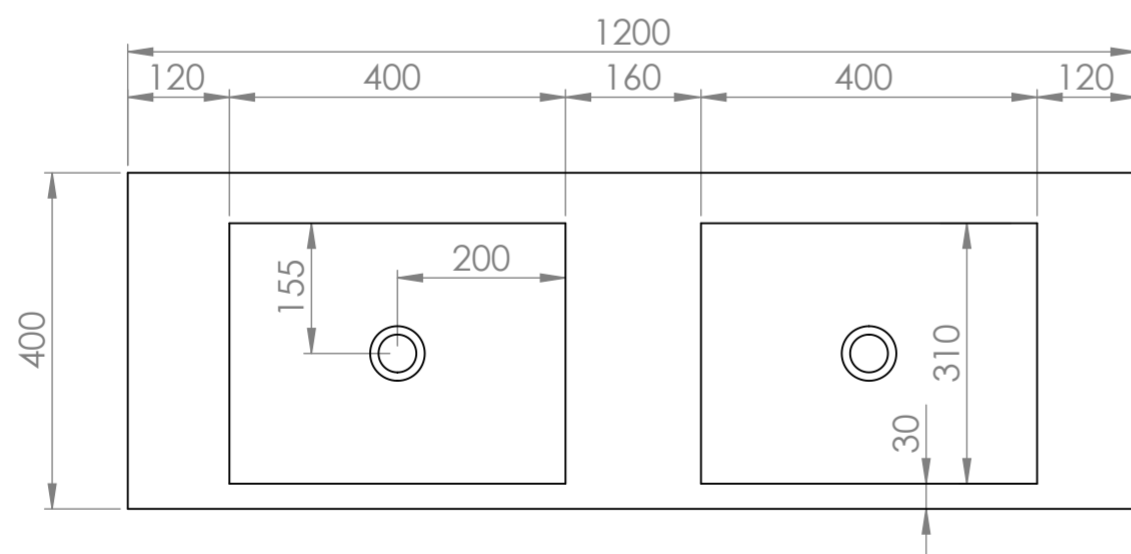
Front View - Section View



Side View



Top View



**LUSO**

Product Name	Vernante 1200
Material	Marble & Stainless Steel
Size, mm	1200 x 400 x 840

All dimensions provided in millimeters.  
 All vanity units are supplied with no tap hole (s). If you require a tap hole, you will need to use a standard 38mm hole-saw drill attachment.