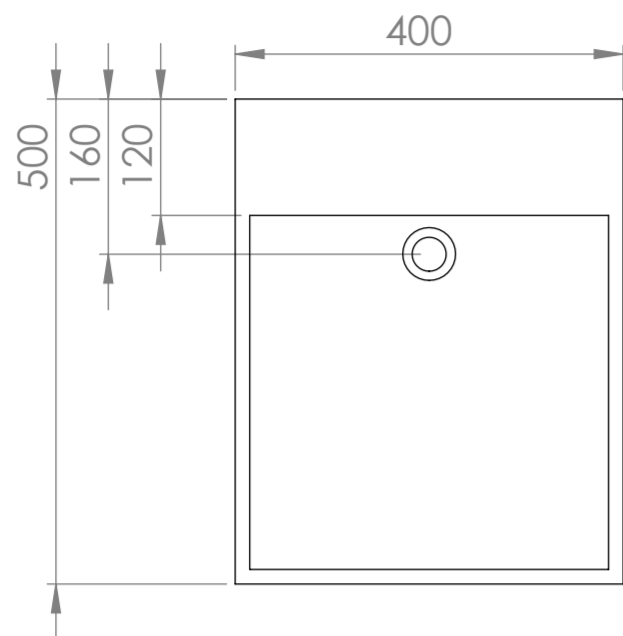
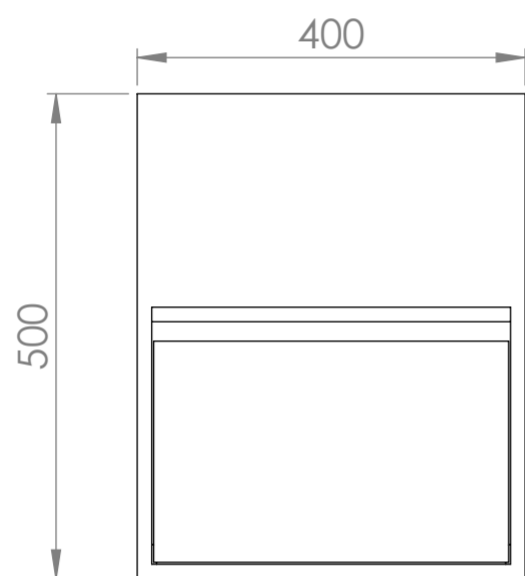


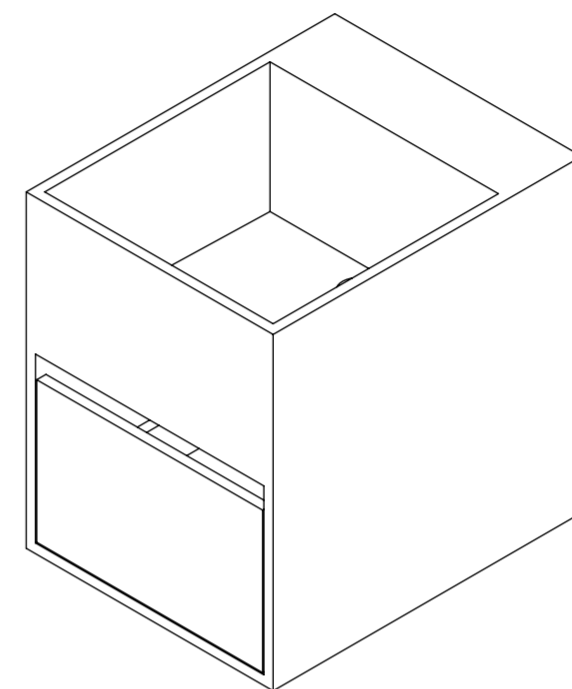
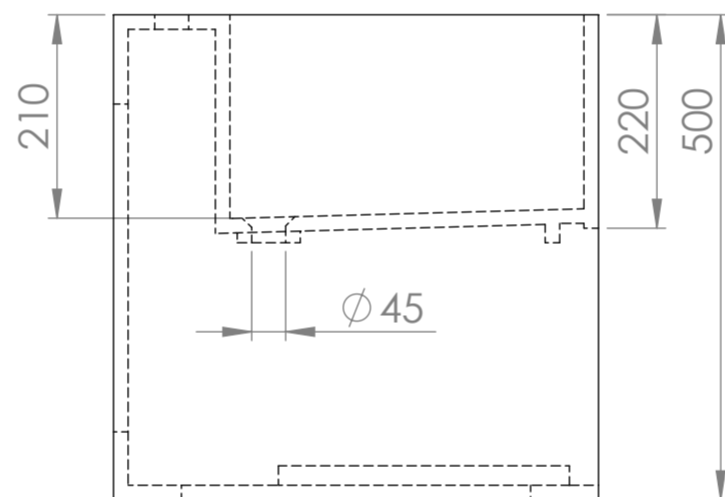
Top View



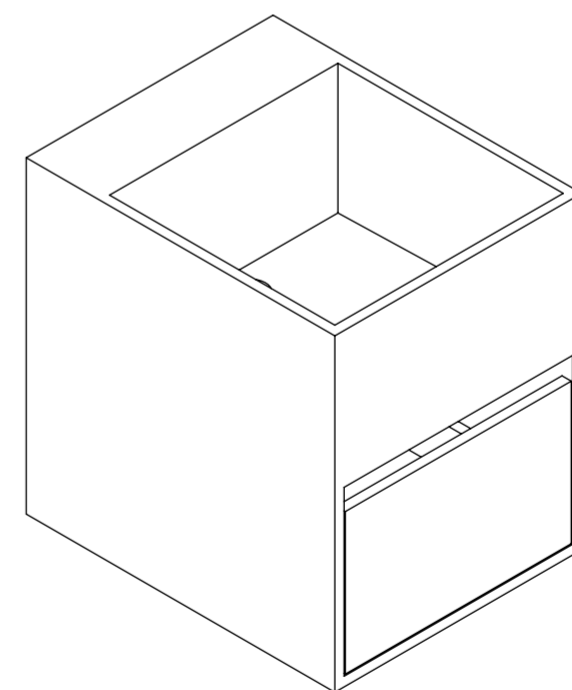
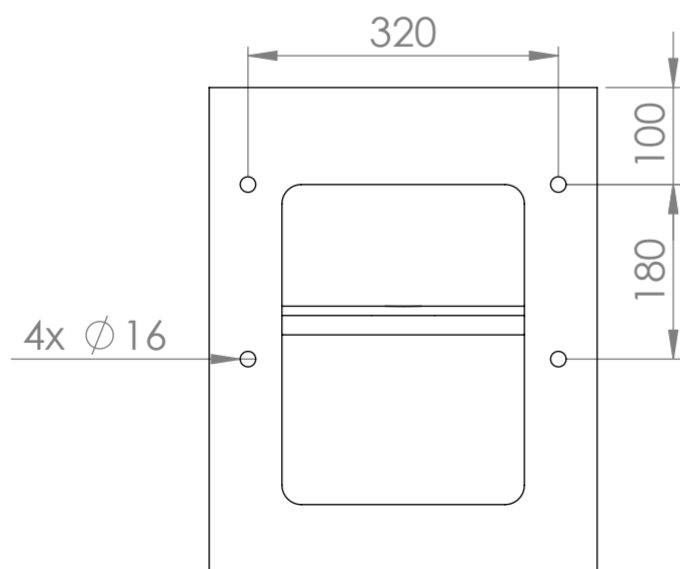
Front View



Side View - Section View



Back View



LUSO

Product Name	Ethos 400 Vanity
Material	Stone Resin
Size, mm	400 x 500 x 500

*All dimensions provided in millimeters.
All vanity units are supplied with no tap hole (s). If you require a tap hole, you will need to use a standard 38mm hole-saw drill attachment.*