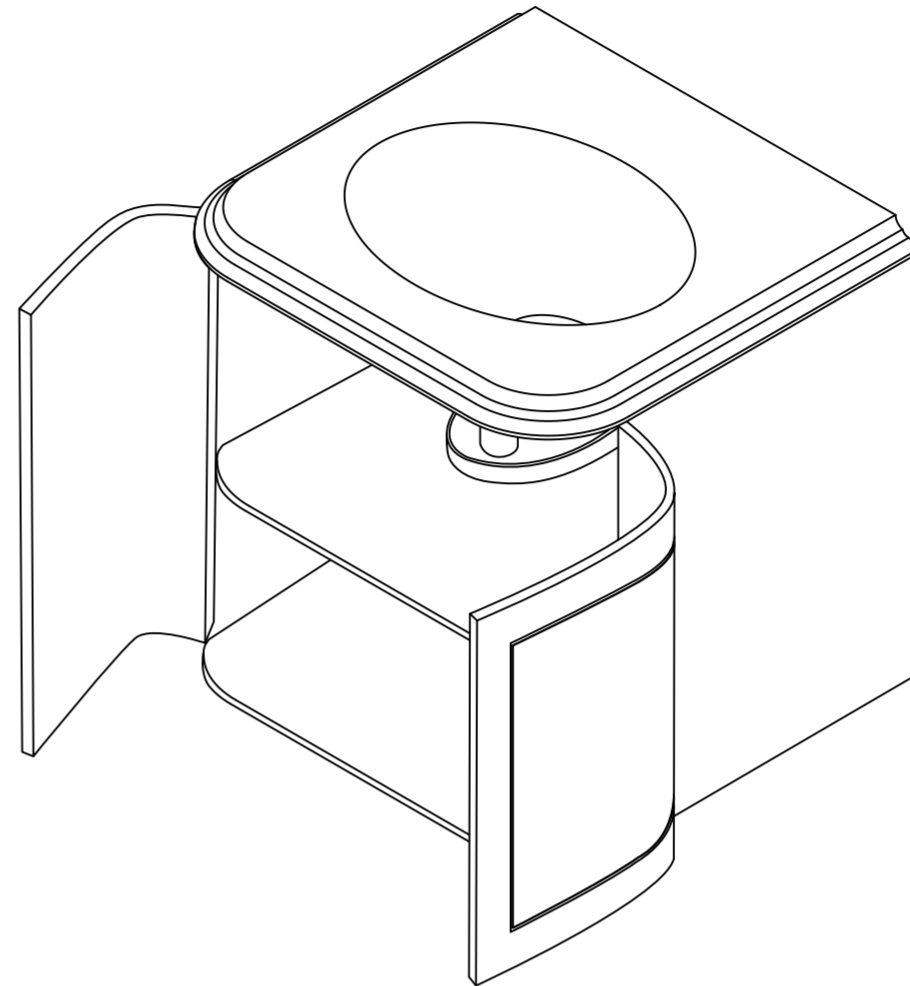
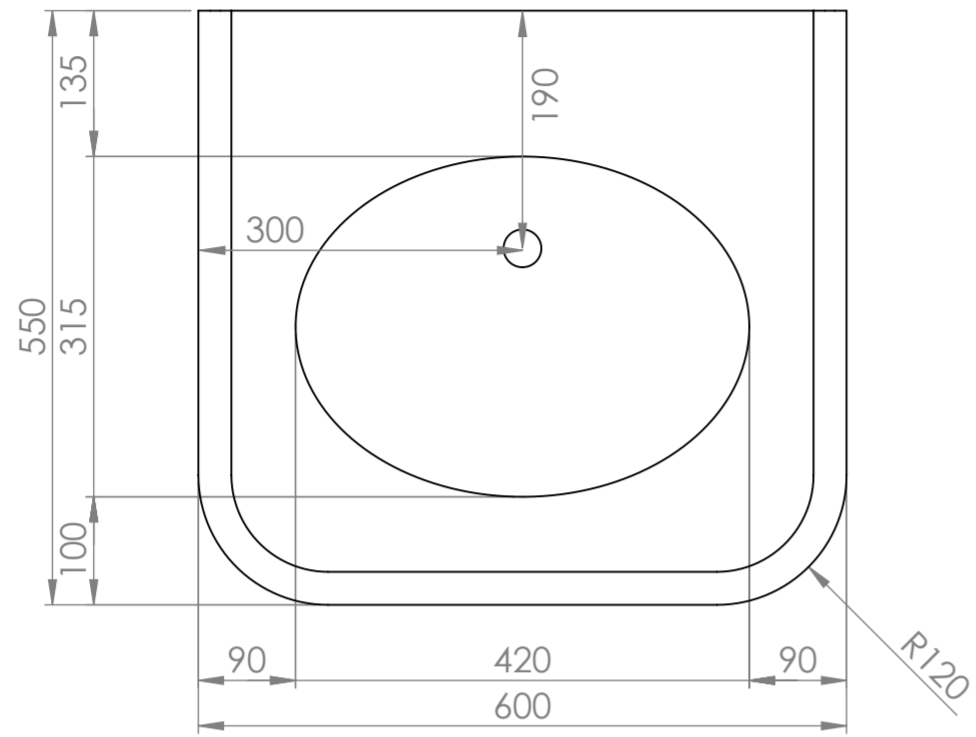
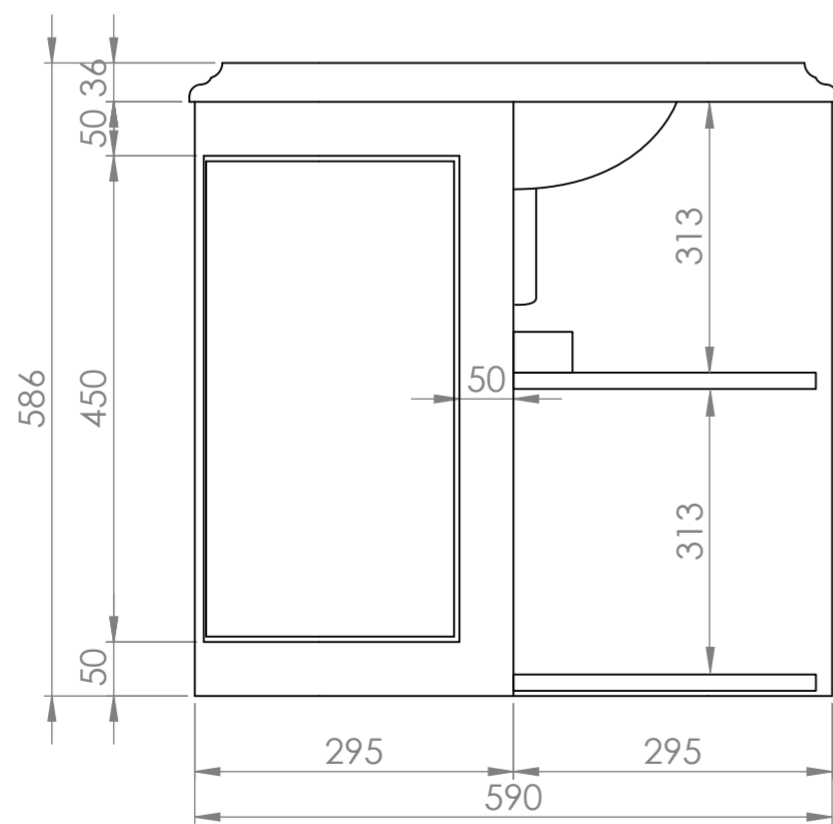


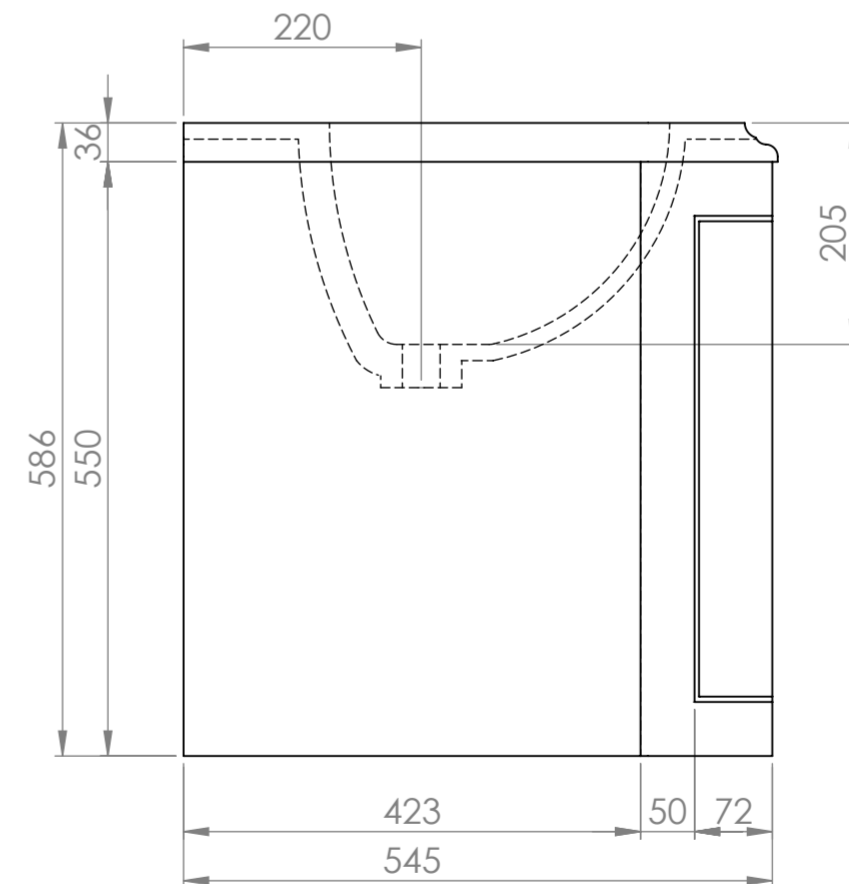
Top View



Front View



Side View



LUSO

Product Name

Charsley

Size, mm

600 x 550 x 586

*All dimensions provided in millimeters.
All vanity units are supplied with no tap hole (s). If you require a tap hole, you will need to use a standard 38mm hole-saw drill attachment.*