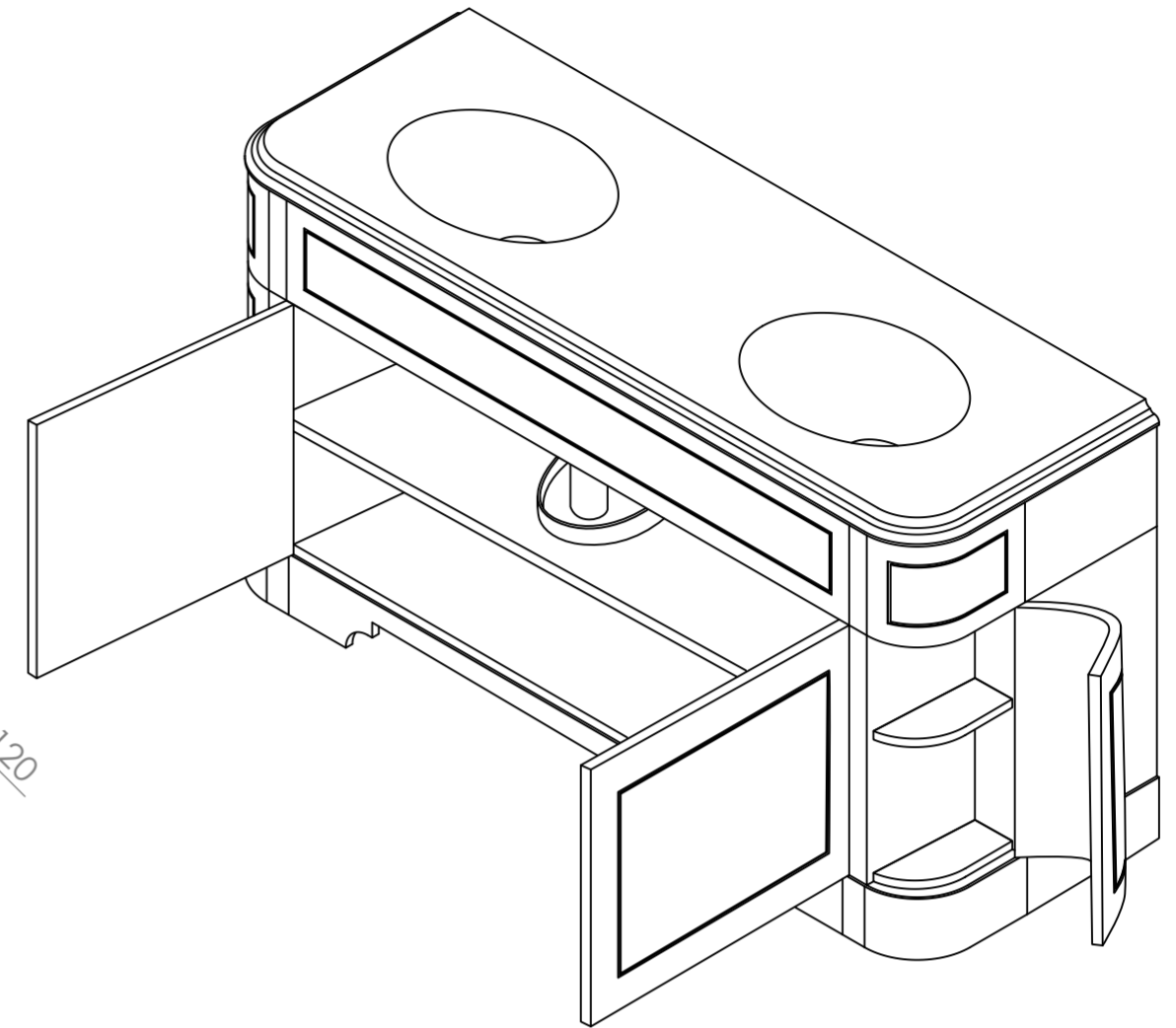
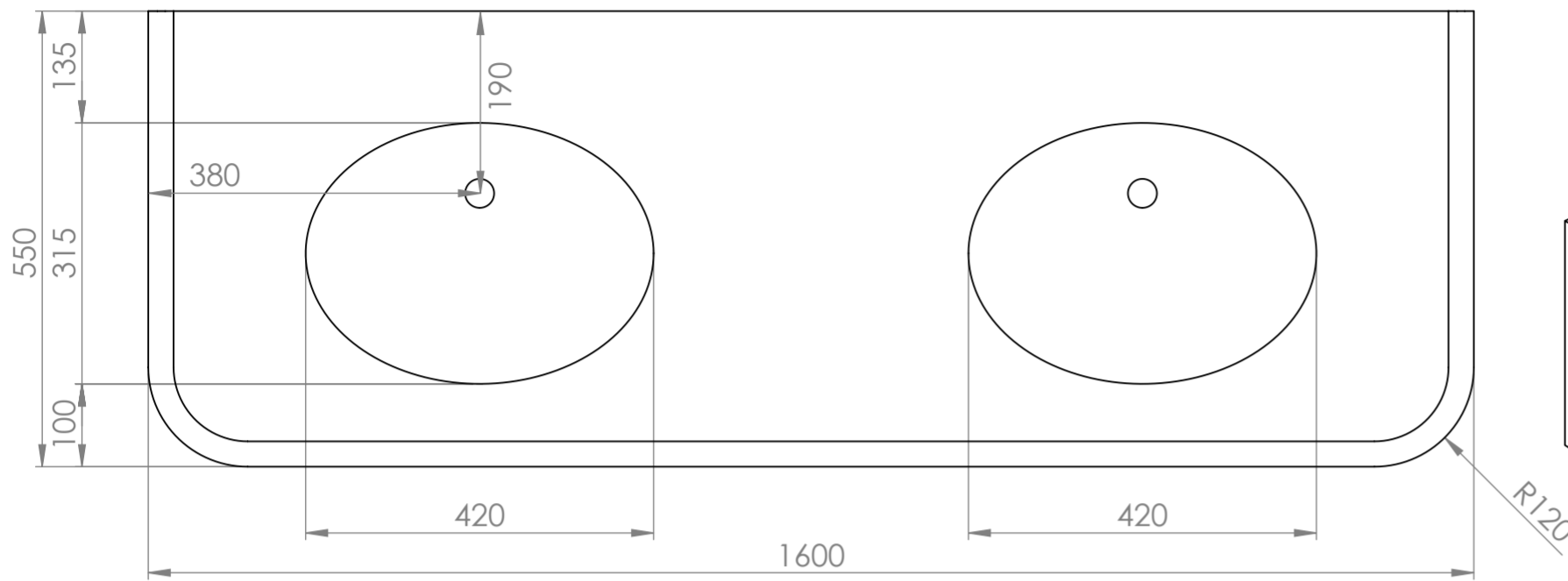
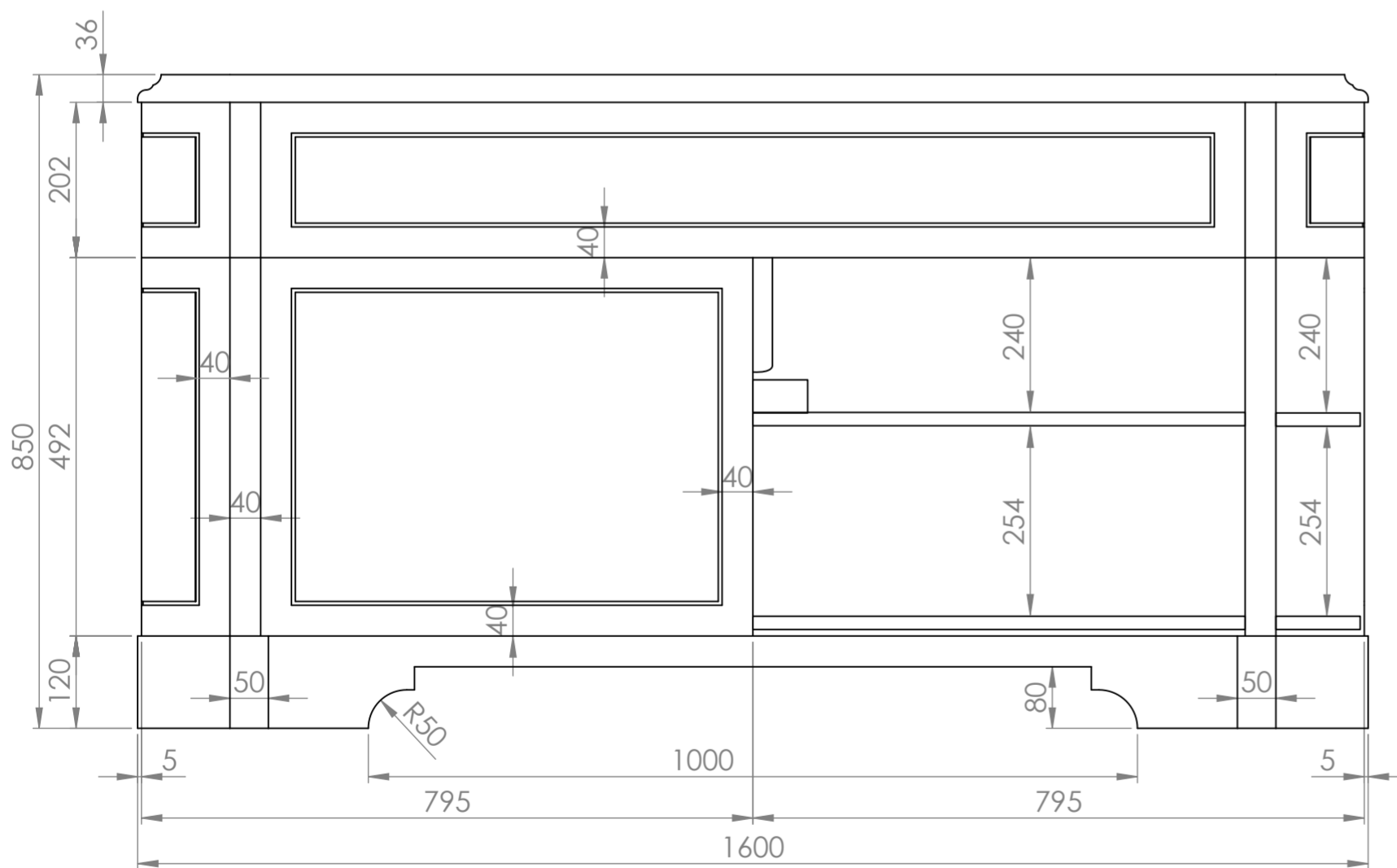


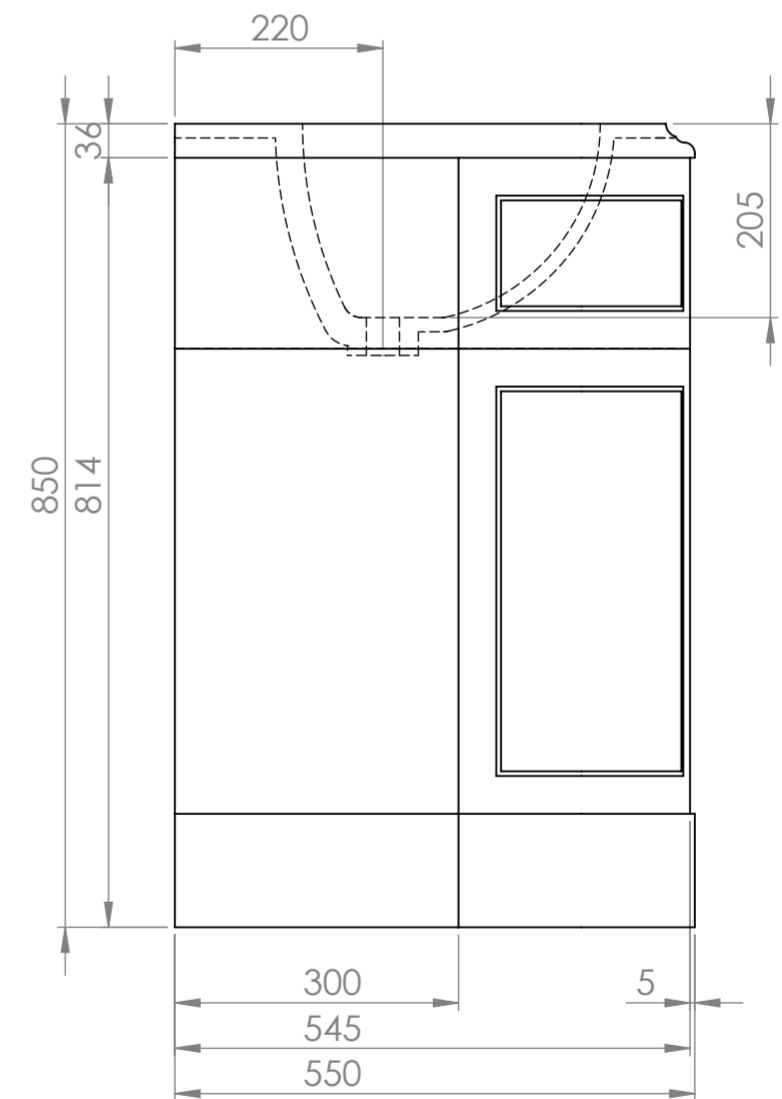
Top View



Front View



Side View



**LUSO**

Product Name

Connaught

Size, mm

*All dimensions provided in millimeters.*

*All vanity units are supplied with no tap hole (s). If you require a tap hole, you will need to use a standard 38mm hole-saw drill attachment.*