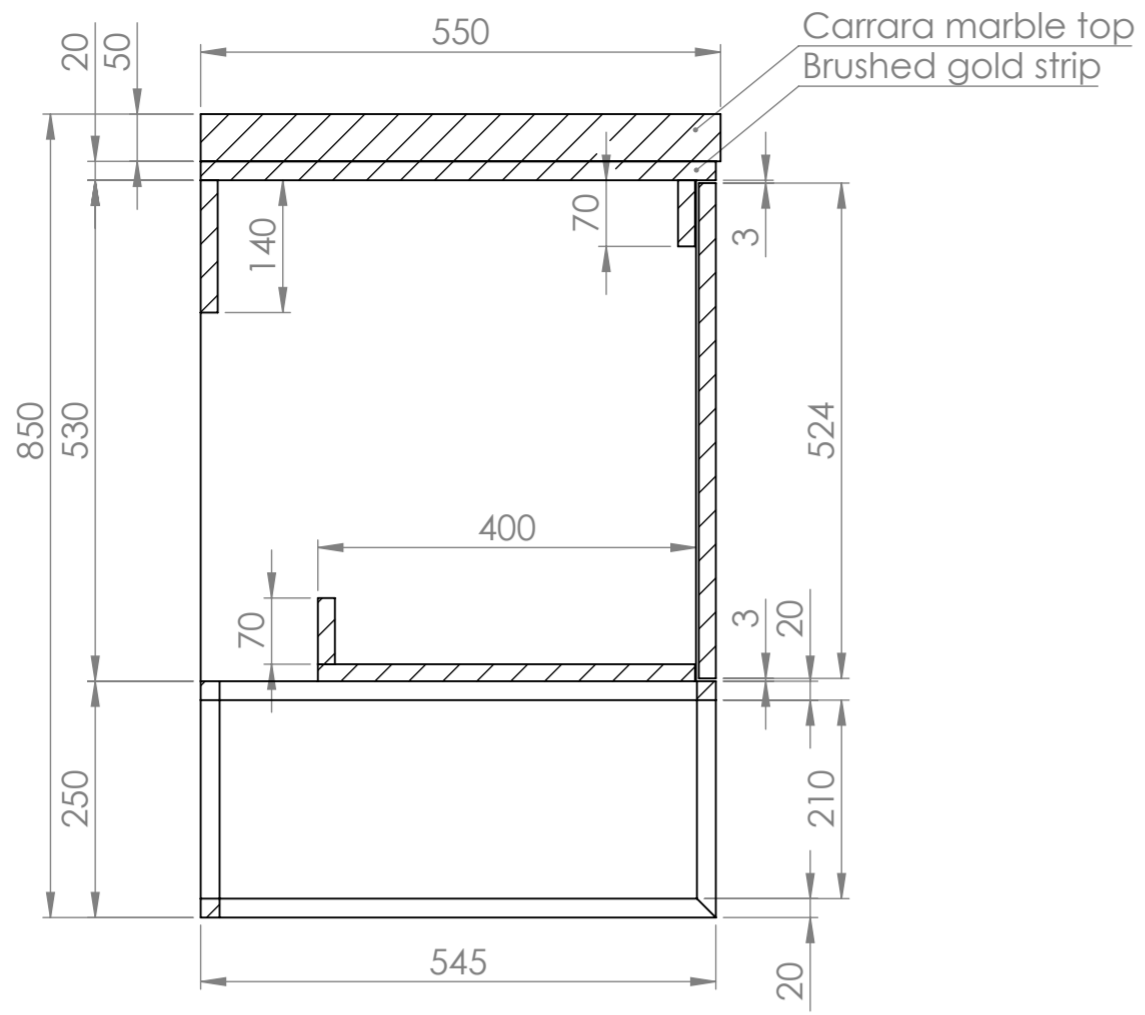
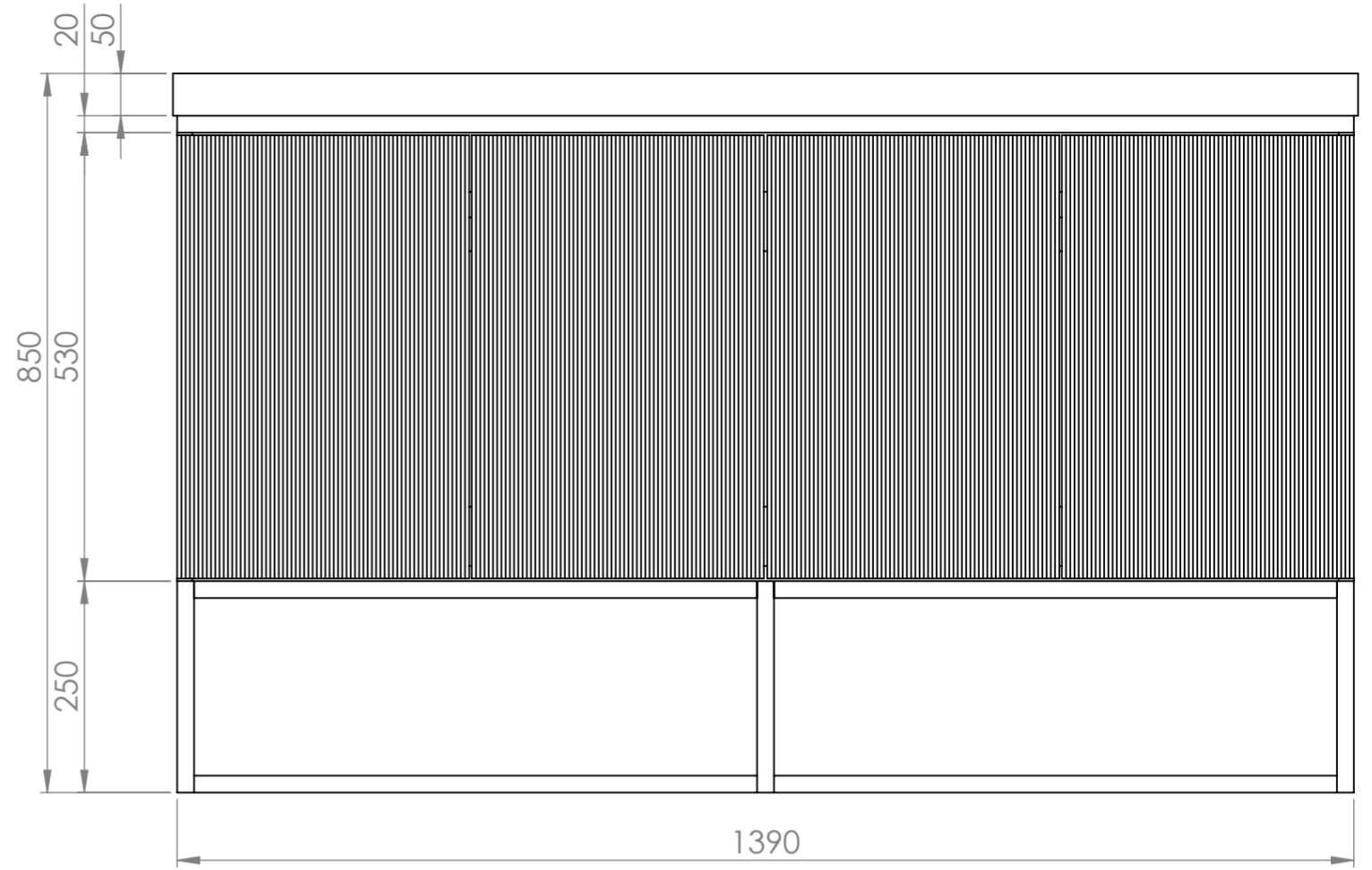


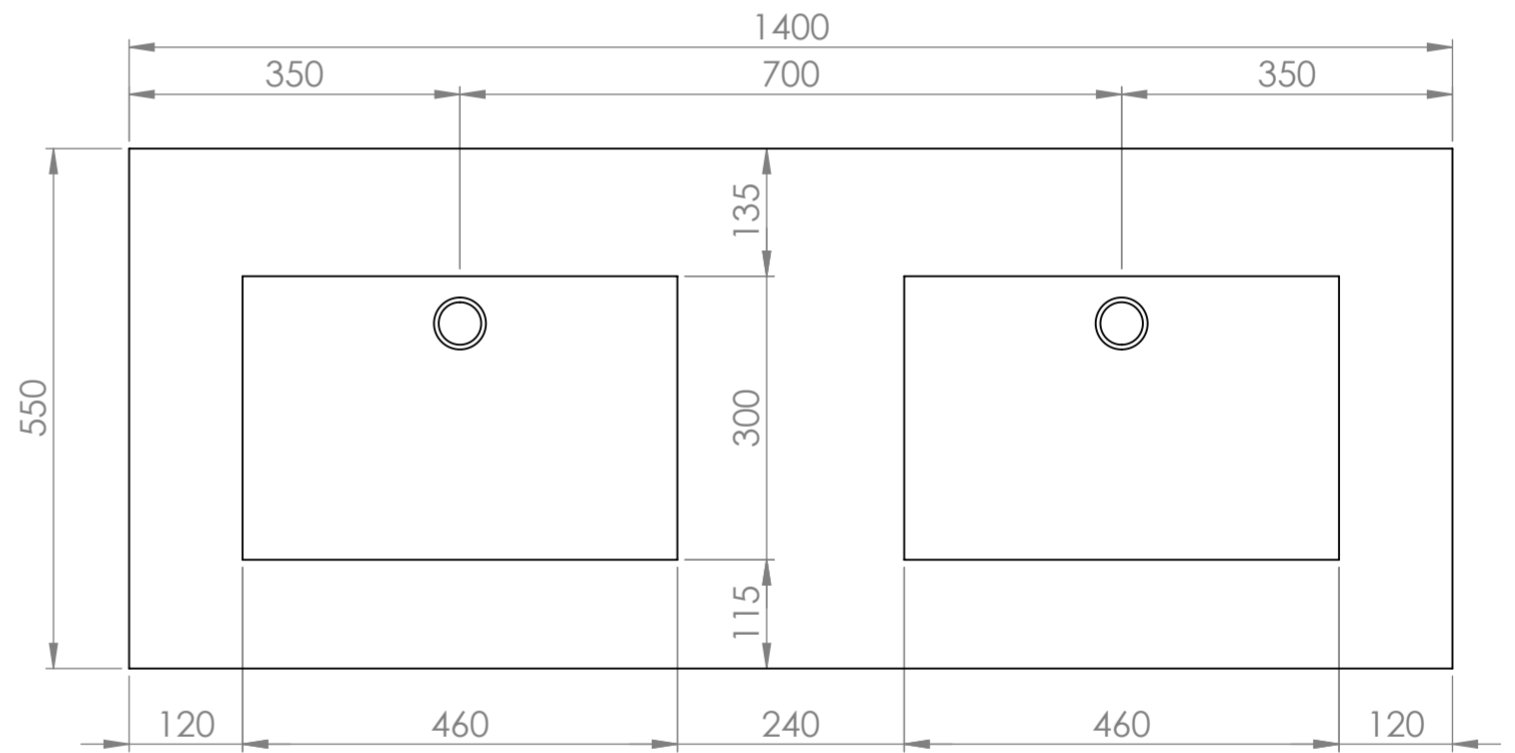
Side View - Section View



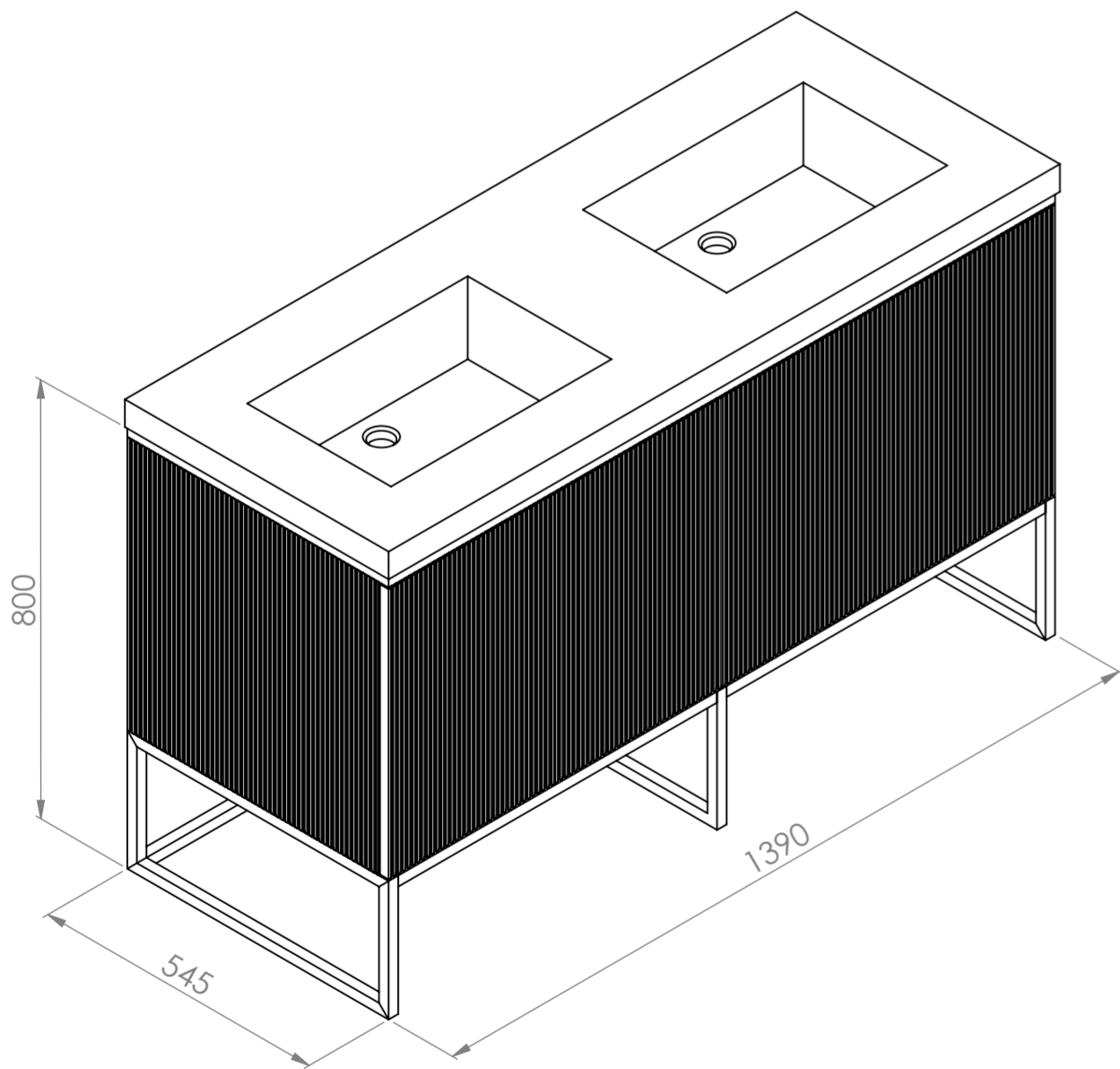
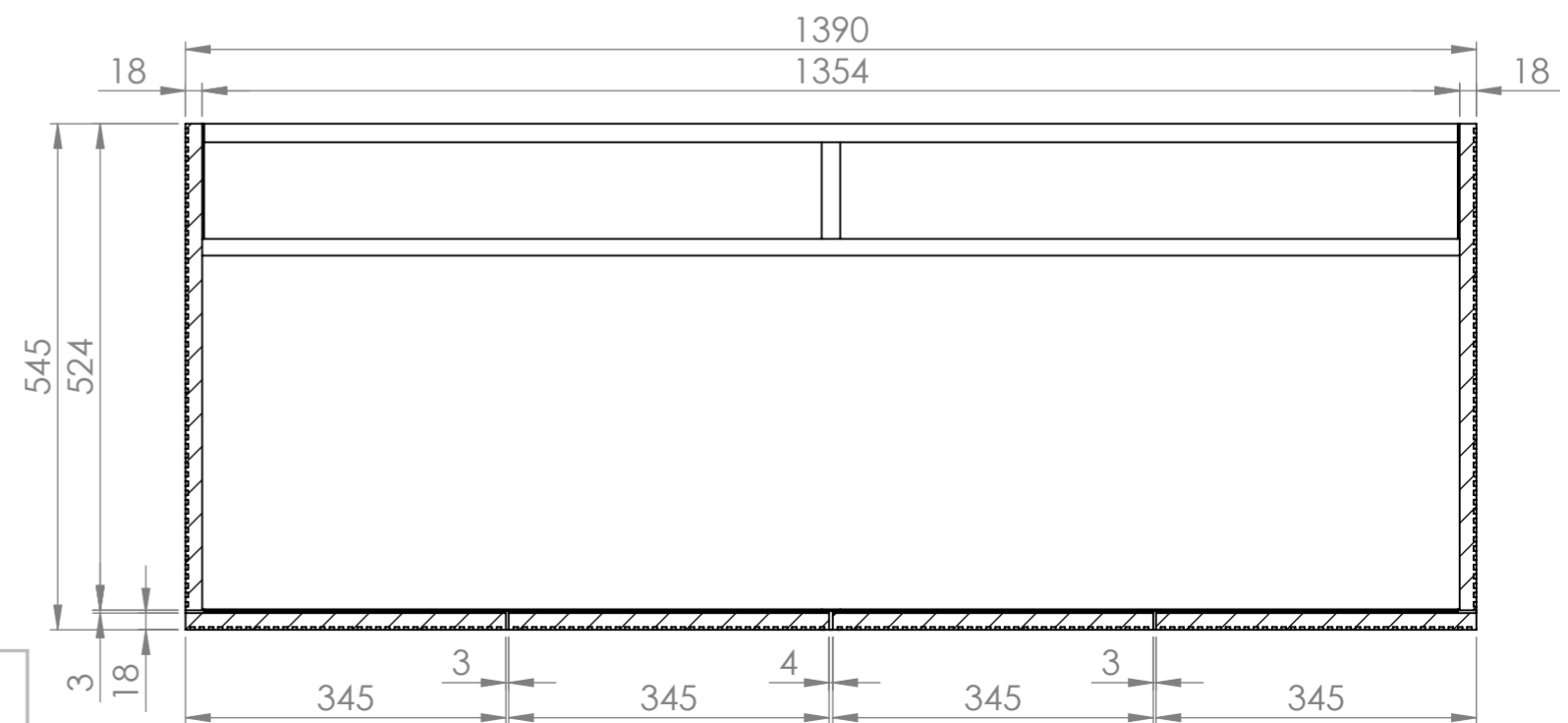
Front View



Top View



Top View - Section View



LUSO

Product Name	Couture 1400
Size, mm	1400 x 545 x 790

All dimensions provided in millimeters.
All vanity units are supplied with no tap hole (s). If you require a tap hole, you will need to use a standard 38mm hole-saw drill attachment.