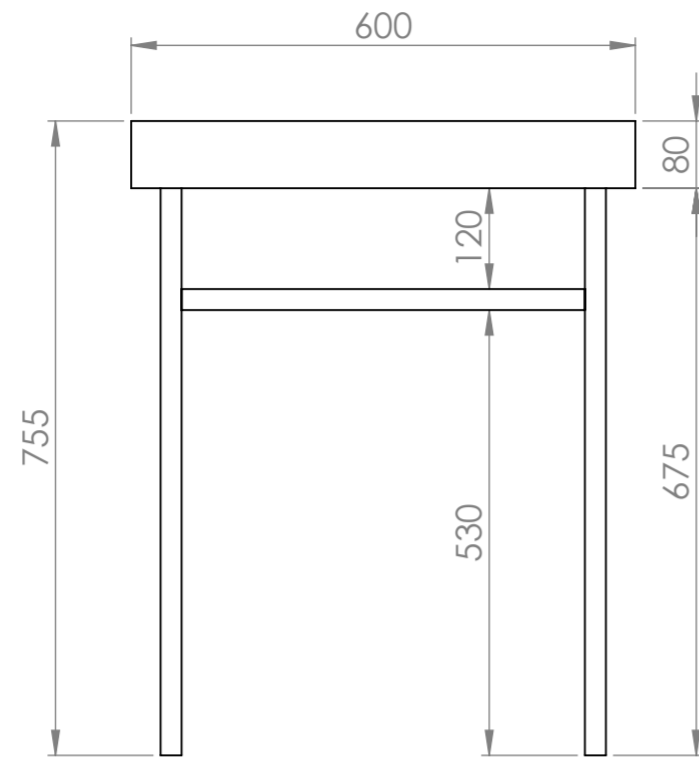
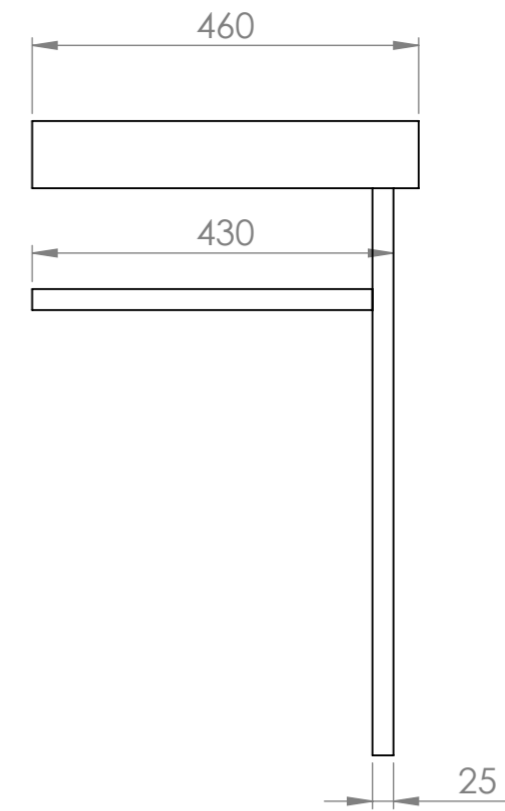


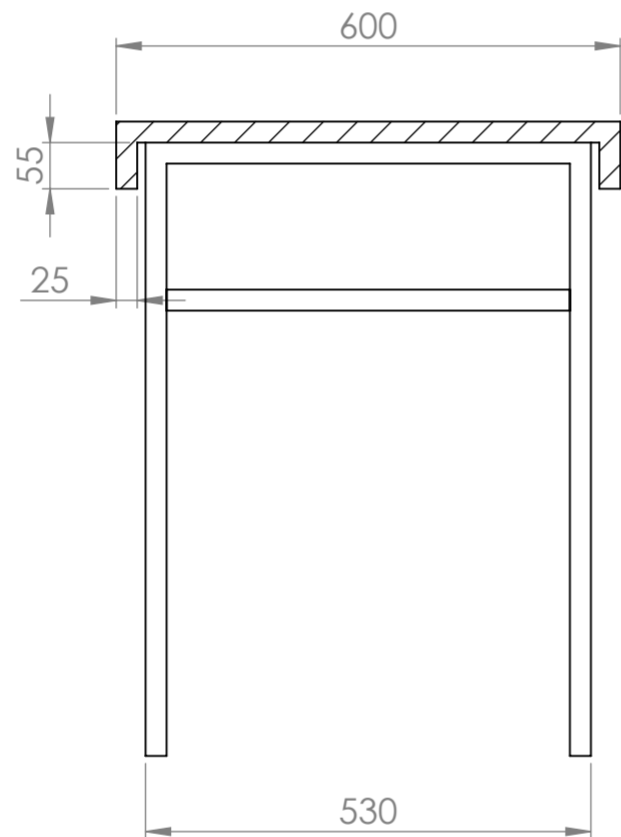
Front View



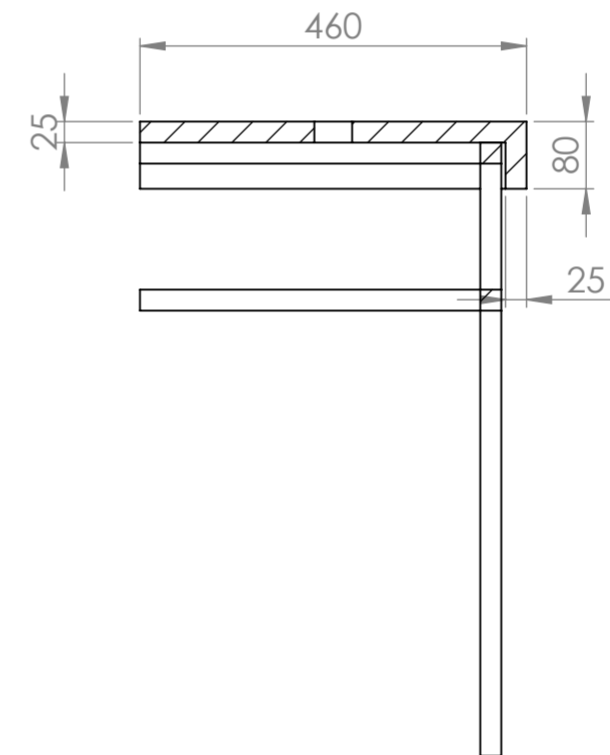
Side View



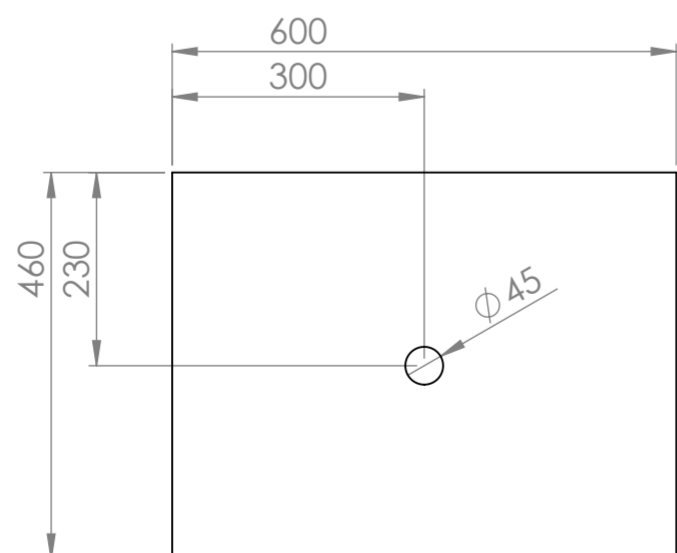
Front View - Section View



Side View - Section View



Top View



LUSO

Product Name	Lomazzo 600
Material	Marble & Stainless Steel
Size, mm	600 x 460 x 755

All dimensions provided in millimeters.
All vanity units are supplied with no tap hole (s). If you require a tap hole, you will need to use a standard 38mm hole-saw drill attachment.