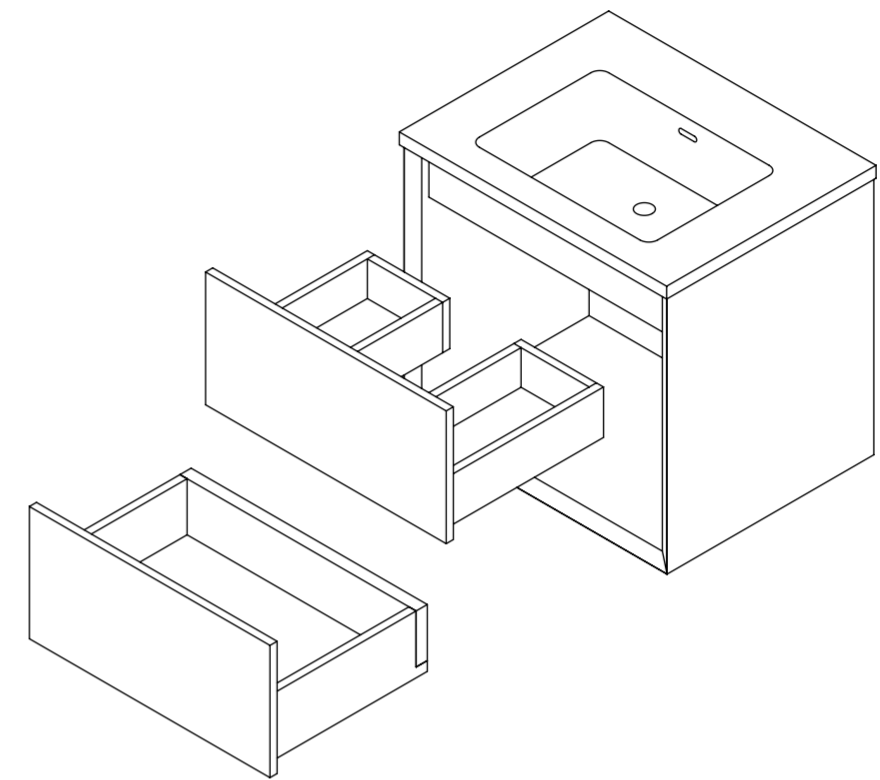
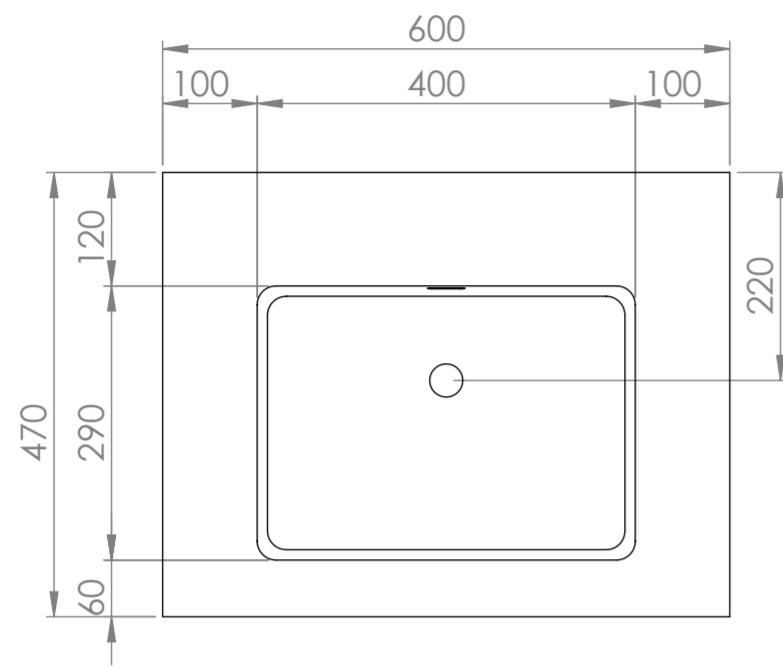
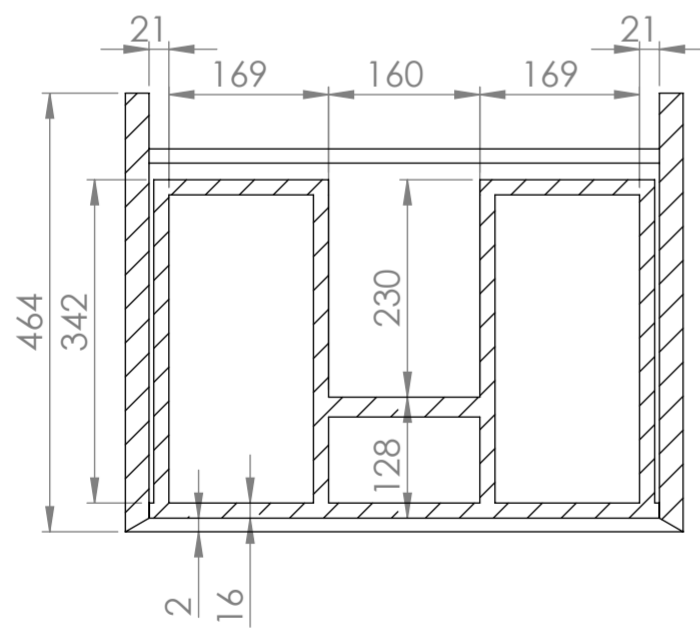


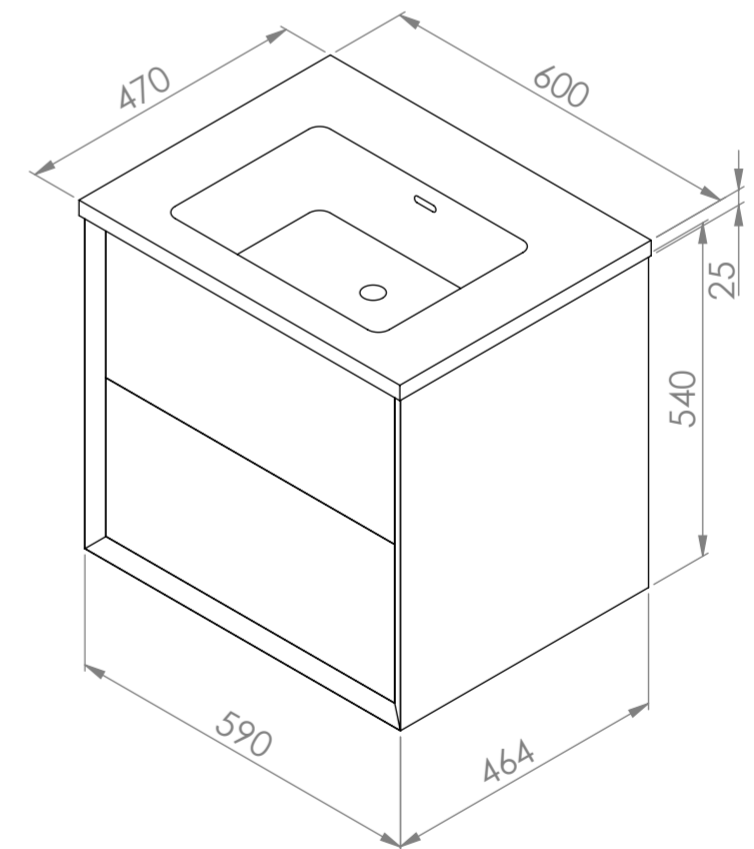
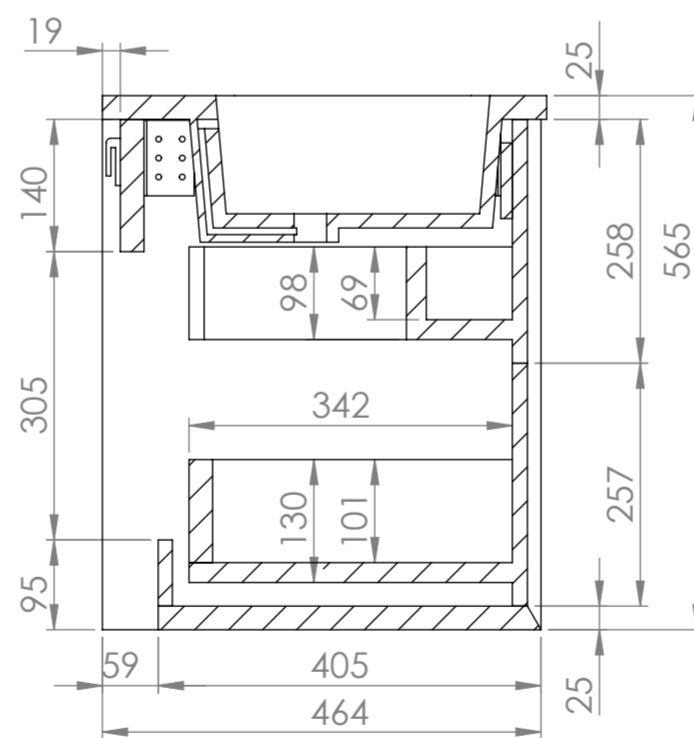
Top View



Top View - Section View



Side View - Section View



LUSO

Product Name	Volini 600
Material	Stone Resin & Wood
Size, mm	600 x 470 x 565

All dimensions provided in millimeters.
All vanity units are supplied with no tap hole (s). If you require a tap hole, you will need to use a standard 38mm hole-saw drill attachment.