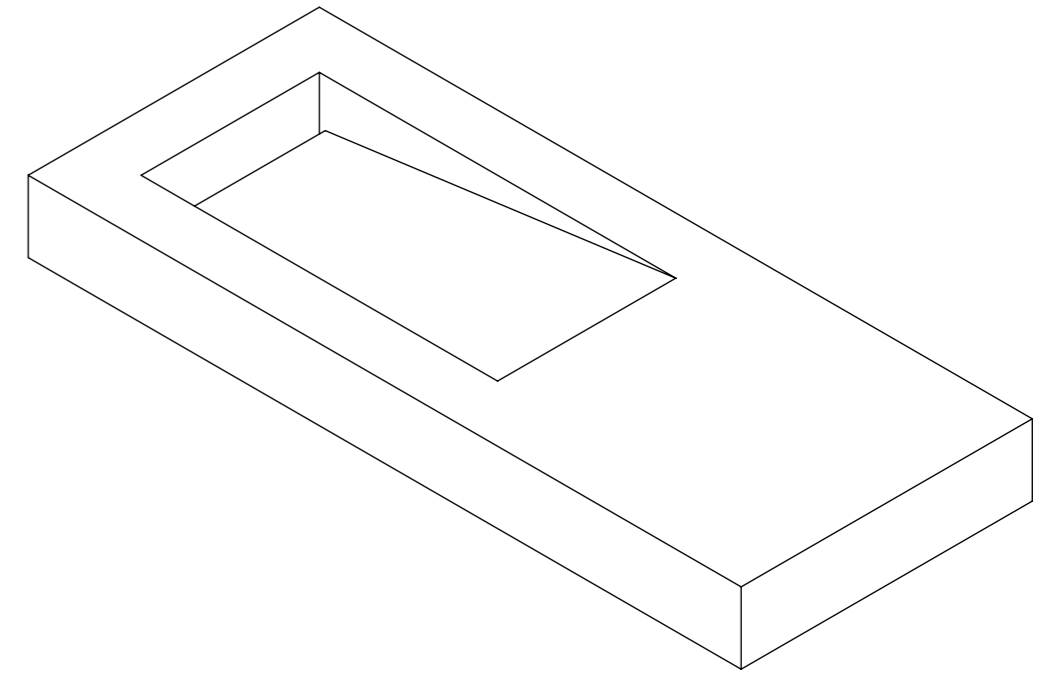
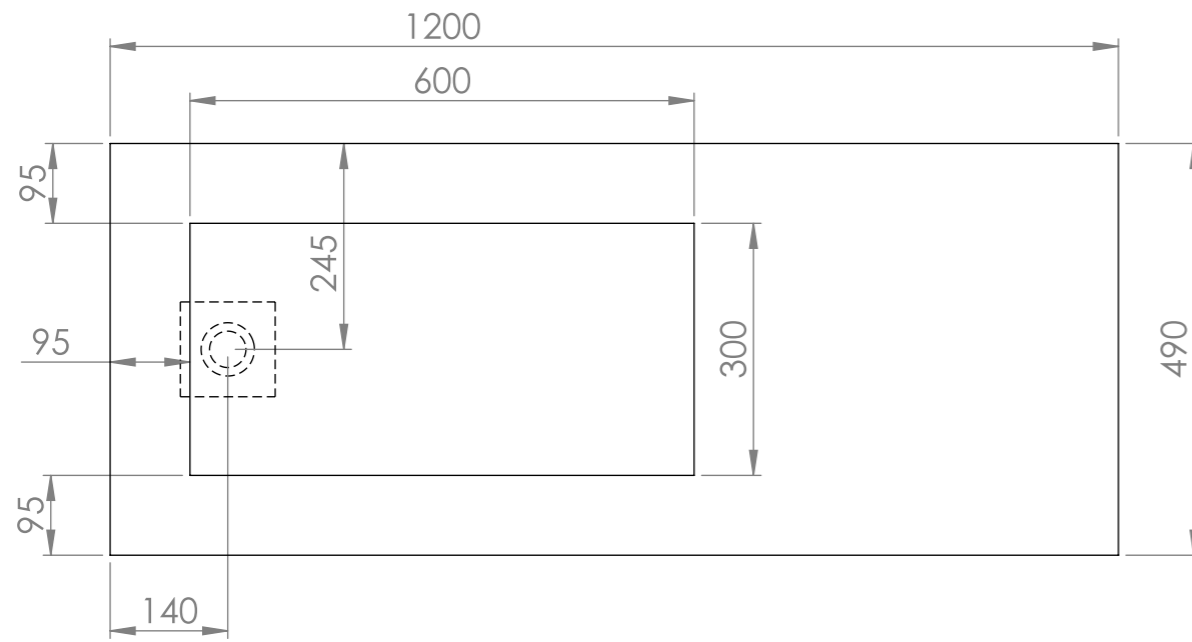
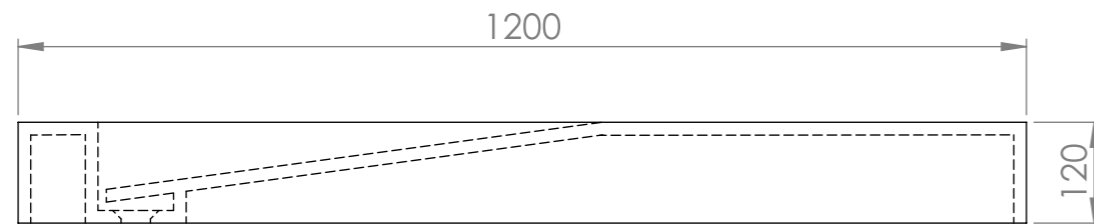


Top View



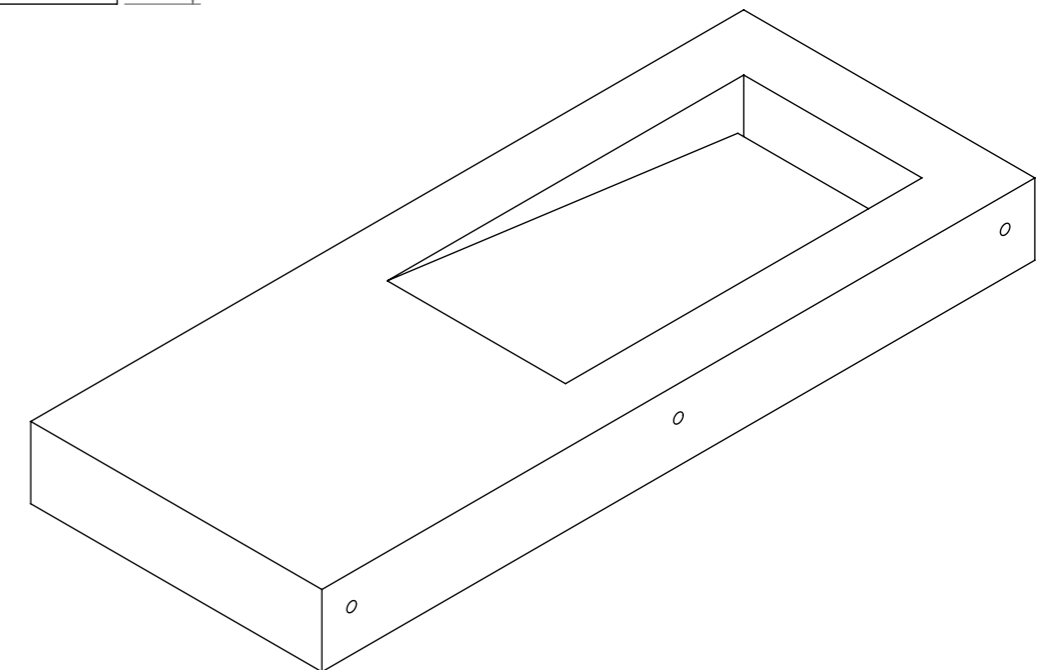
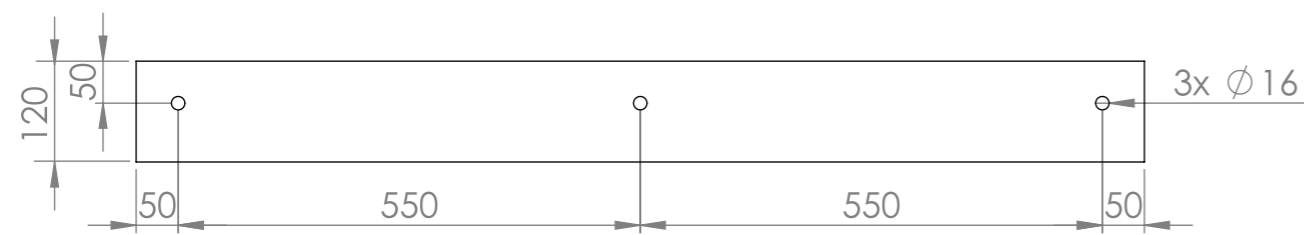
Front View - Section View



Side View



Back View



LUSO

Product Name	Slope Left
Weight, kg	30
Material	Stone Resin
Product Size (mm)	1200 x 490 x 120

*All dimensions provided in millimeters.
All basins are supplied with no tap hole(s). If you require a tap hole,
you will need to use a standard 38mm hole-saw drill attachment.*