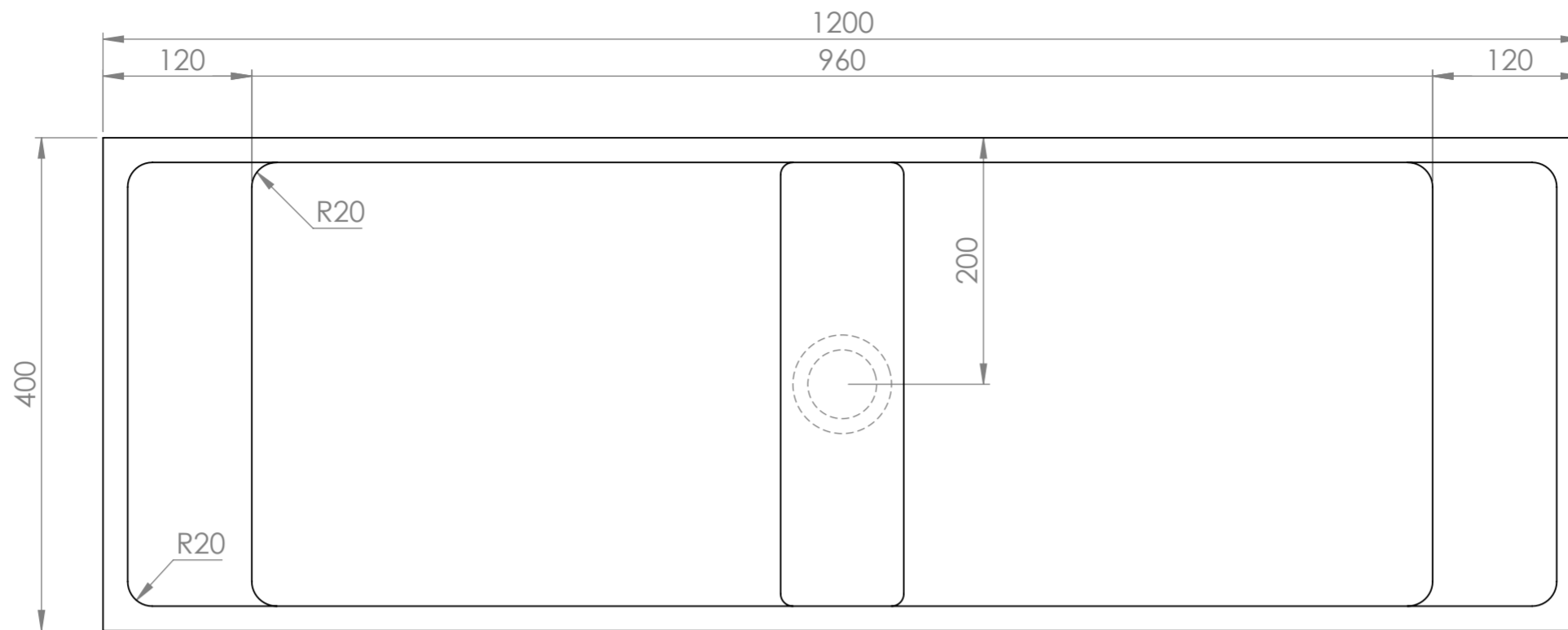
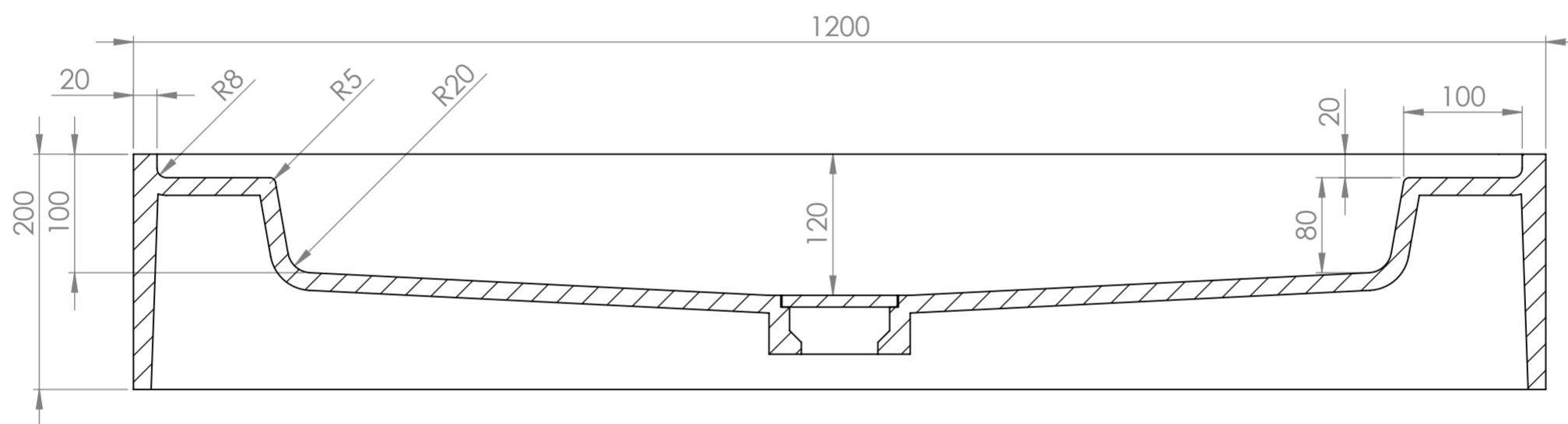


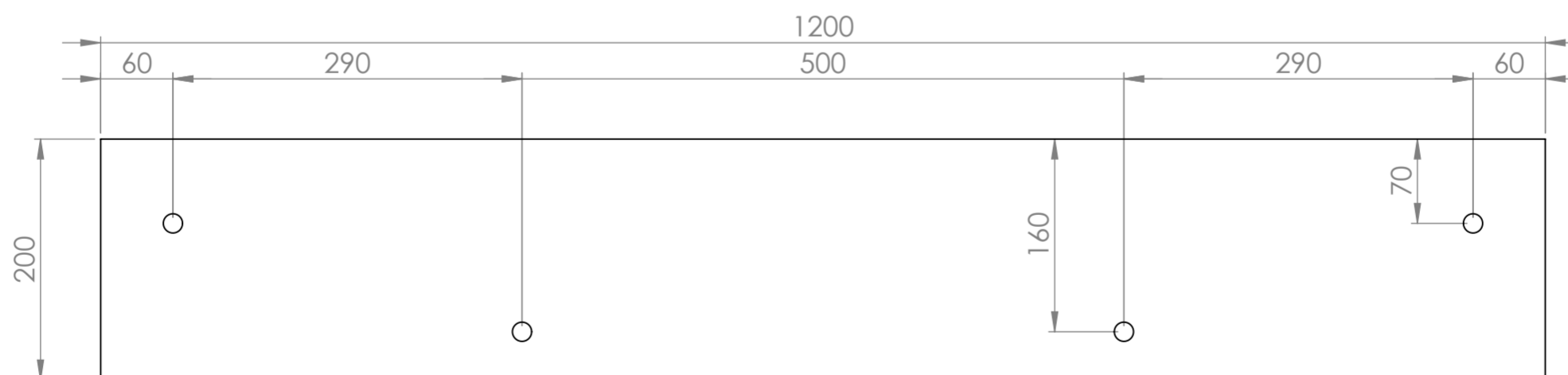
Top View



Front View - Section View



Back View



LUSO

Product Name	Marmo 1200
Material	Stone Resin
Product Size (mm)	1200 x 400 x 200

*All dimensions provided in millimeters.
All basins are supplied with no tap hole(s). If you require a tap hole,
you will need to use a standard 38mm hole-saw drill attachment.*