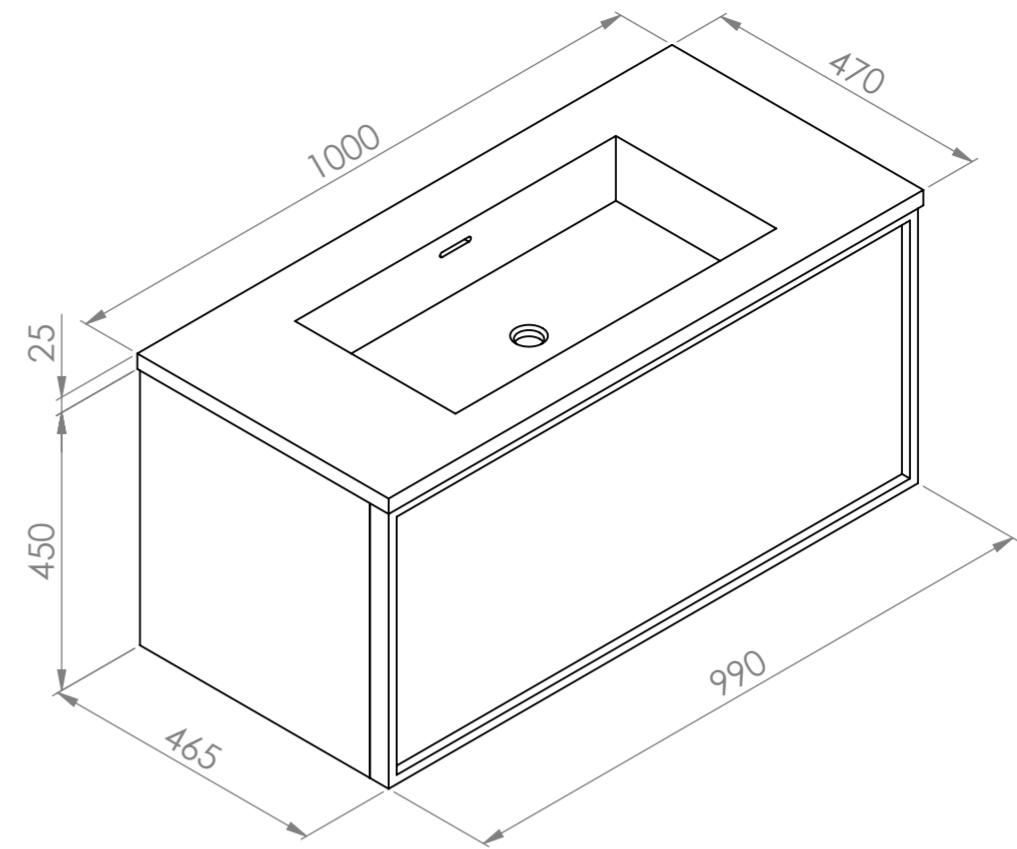
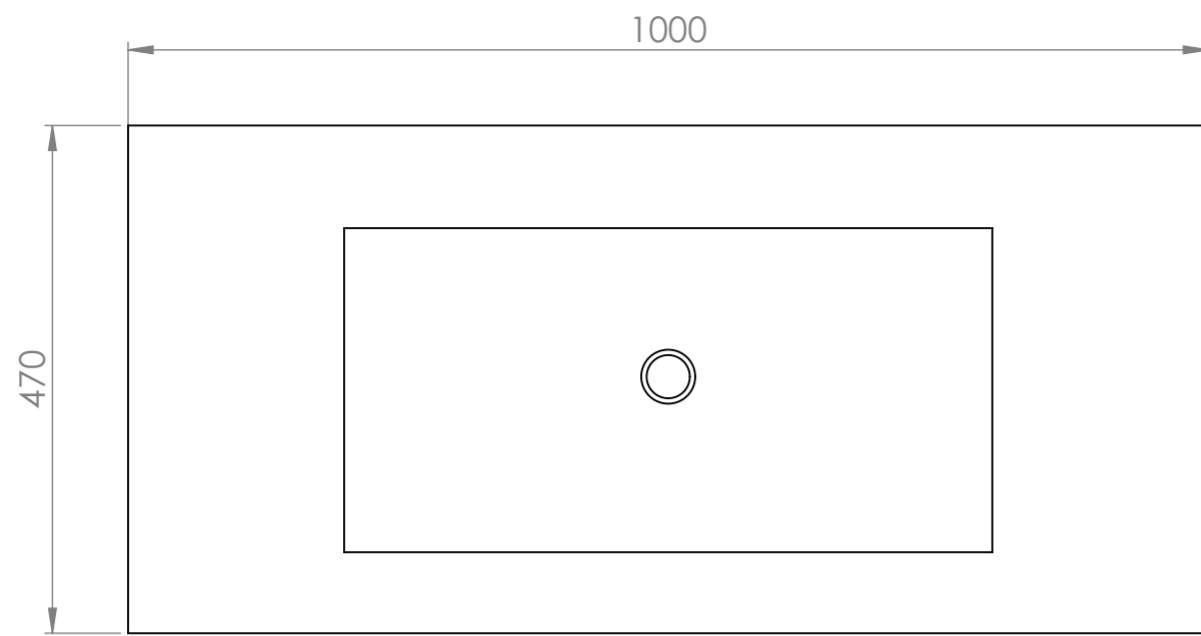
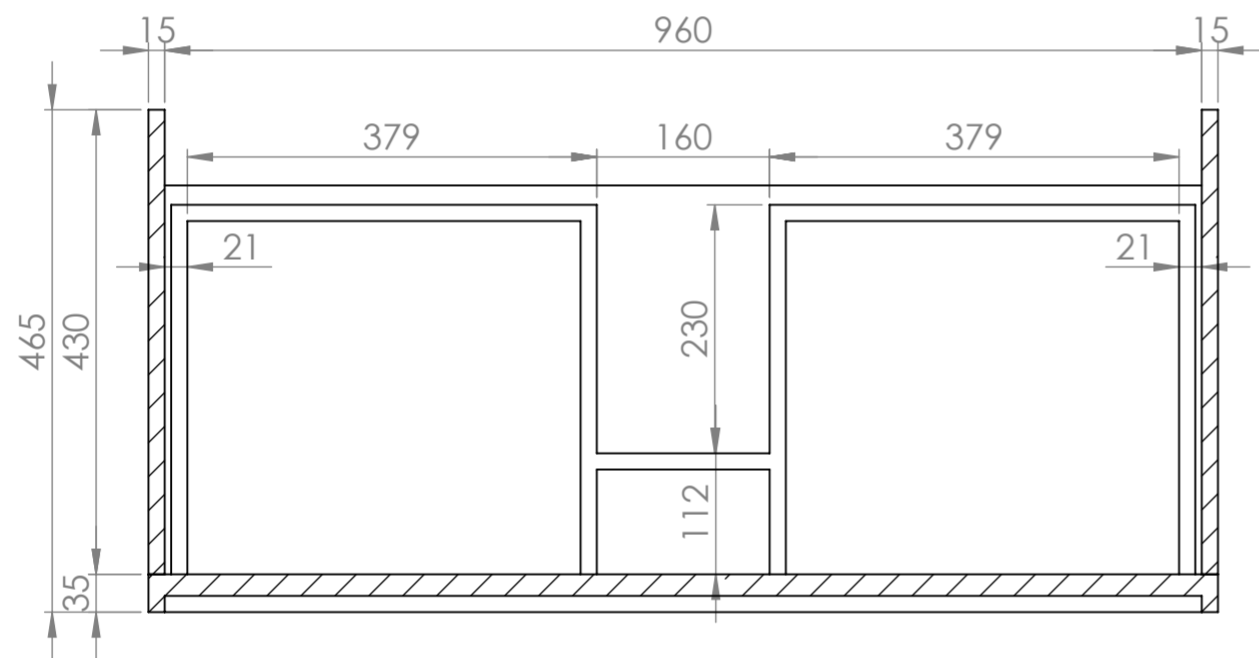


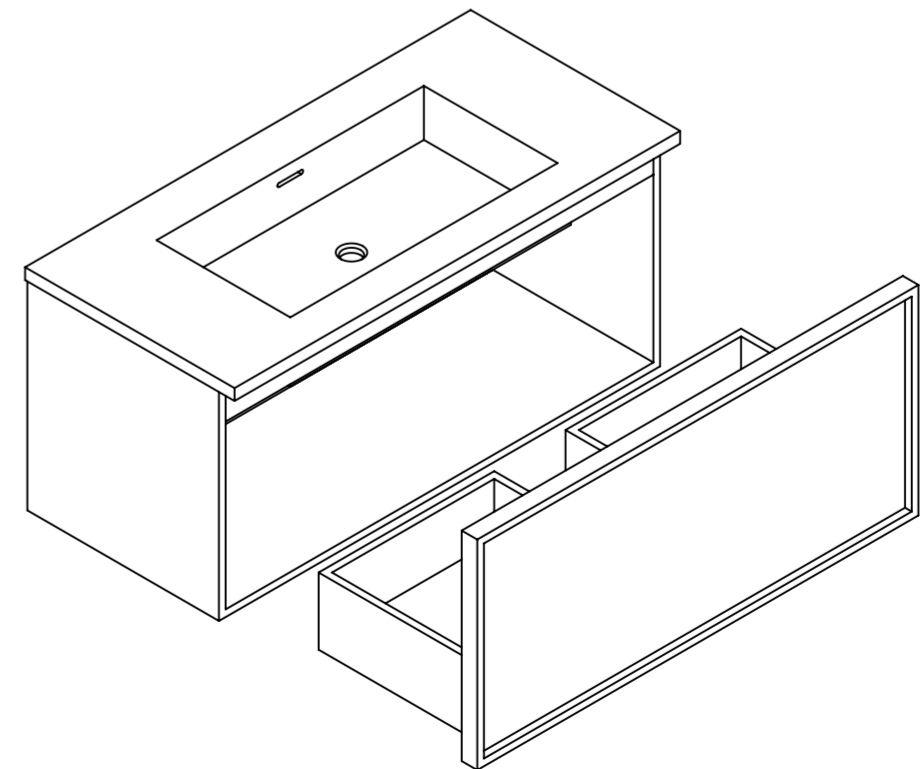
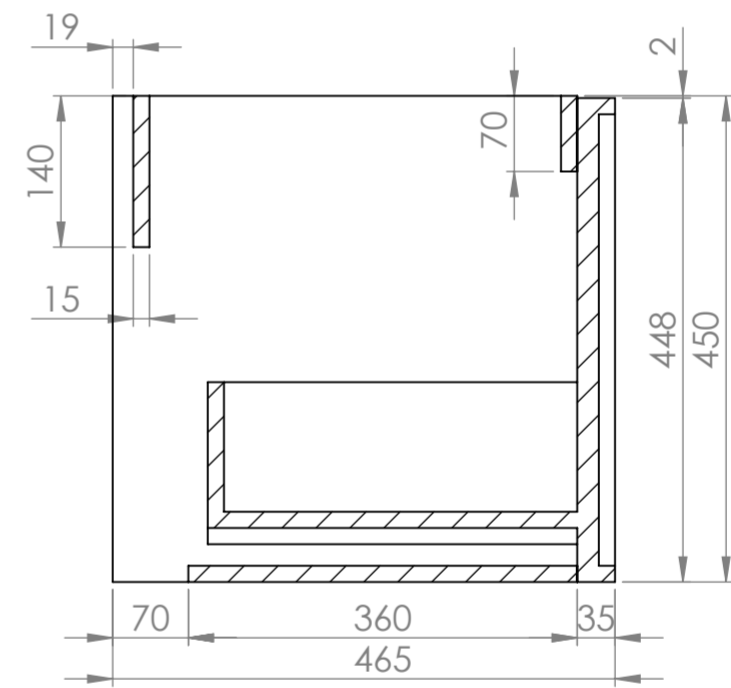
Top View



Top View - Section View



Side View - Section View



<b>LUSSO</b> S T O N E	Product Name	Vita Vanity Unit
	Product Size (mm)	1000 x 470 x 450

*All dimensions provided in millimeters.  
 All vanity units are supplied with no tap hole (s). If you require a tap hole,  
 you will need to use a standard 38mm hole-saw drill attachment.*