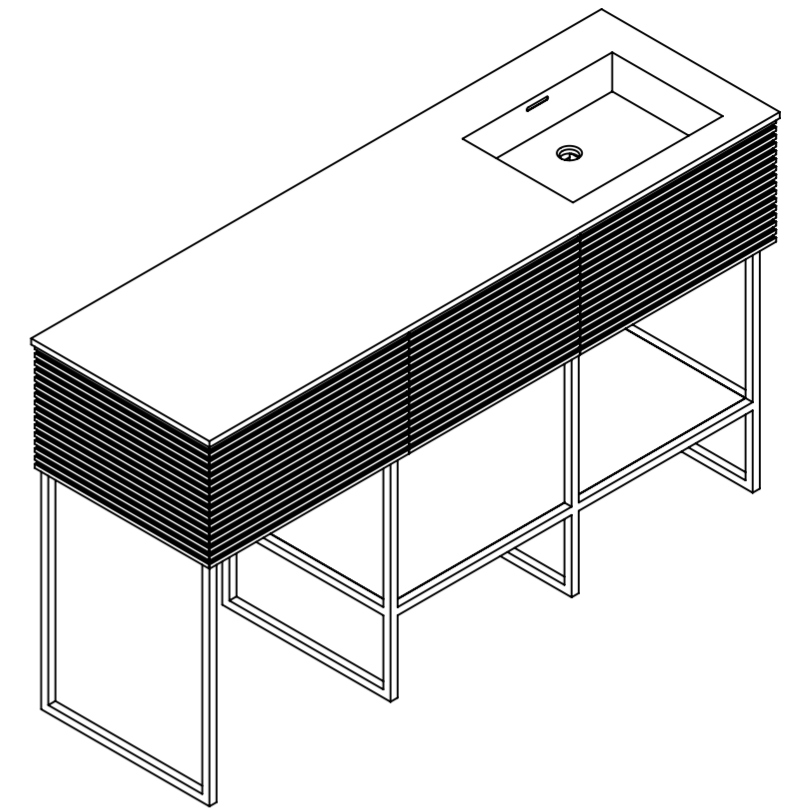
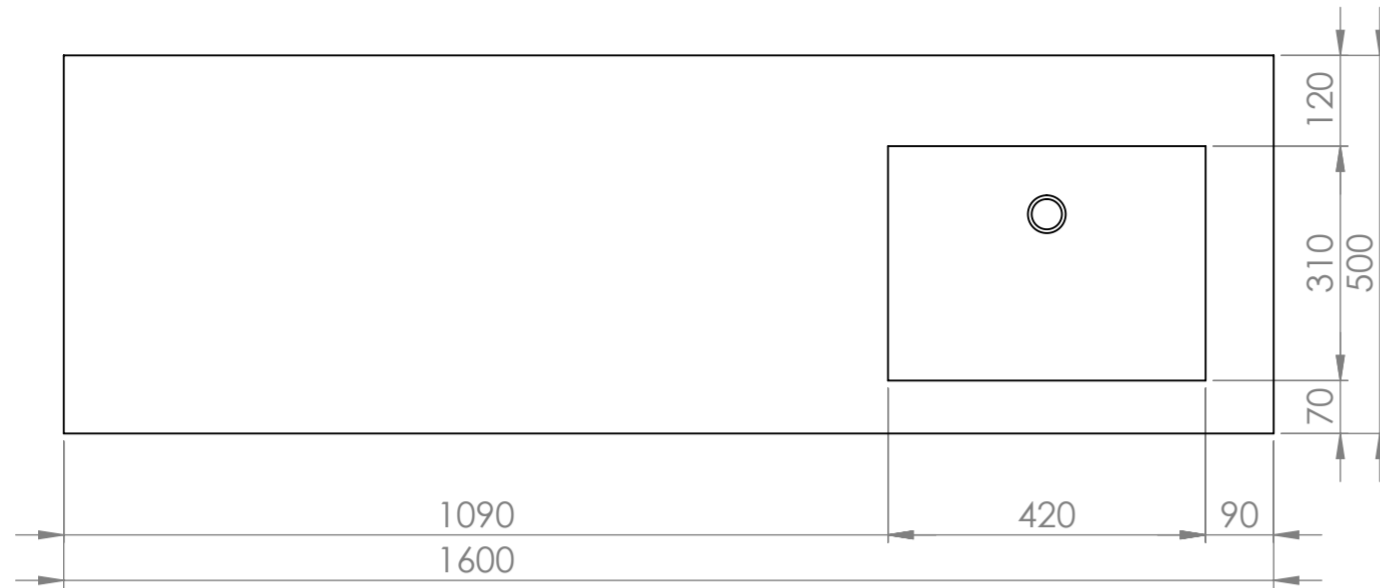
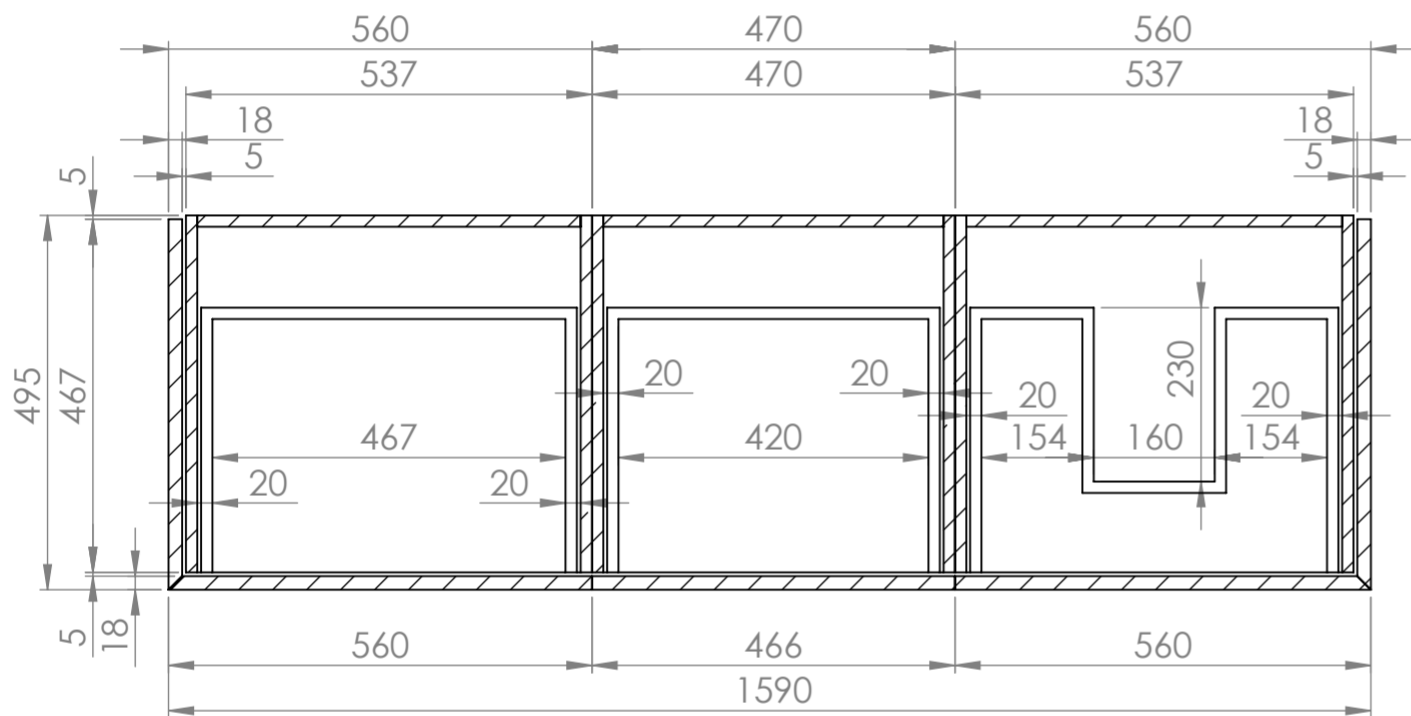


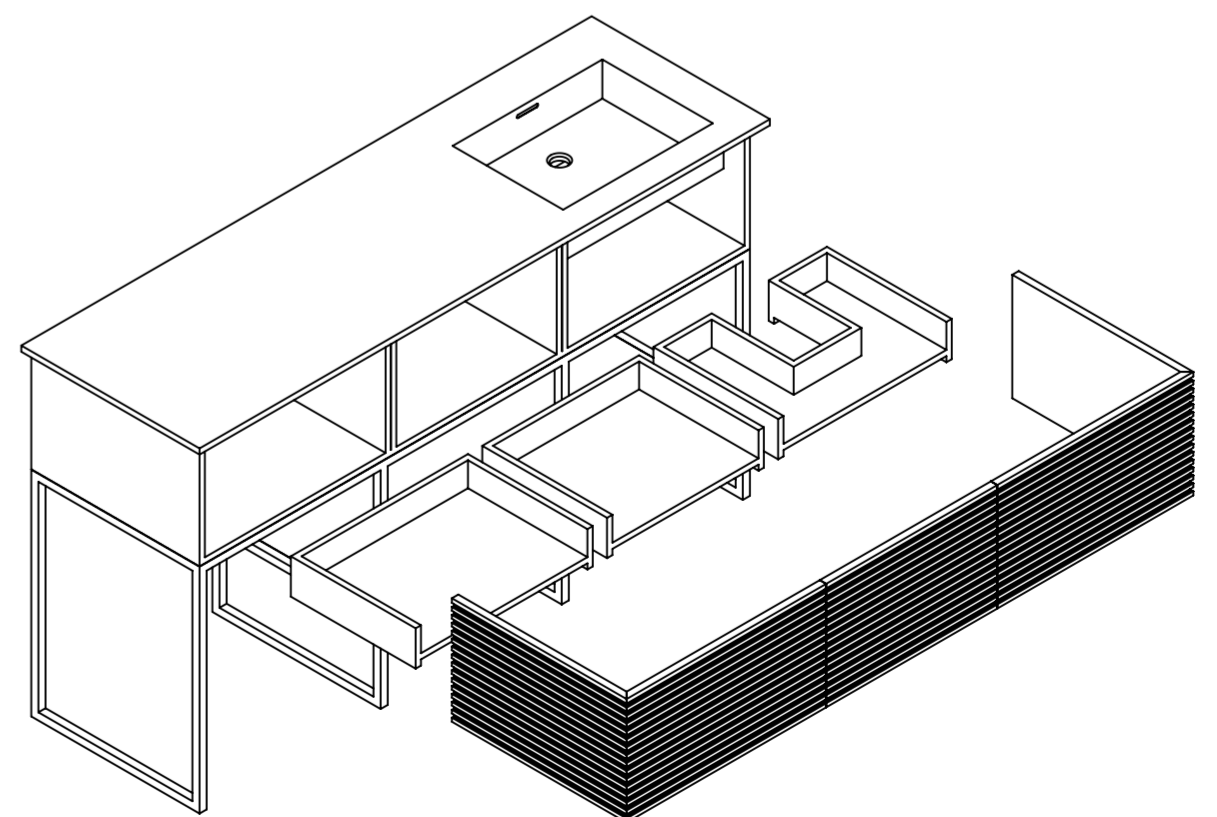
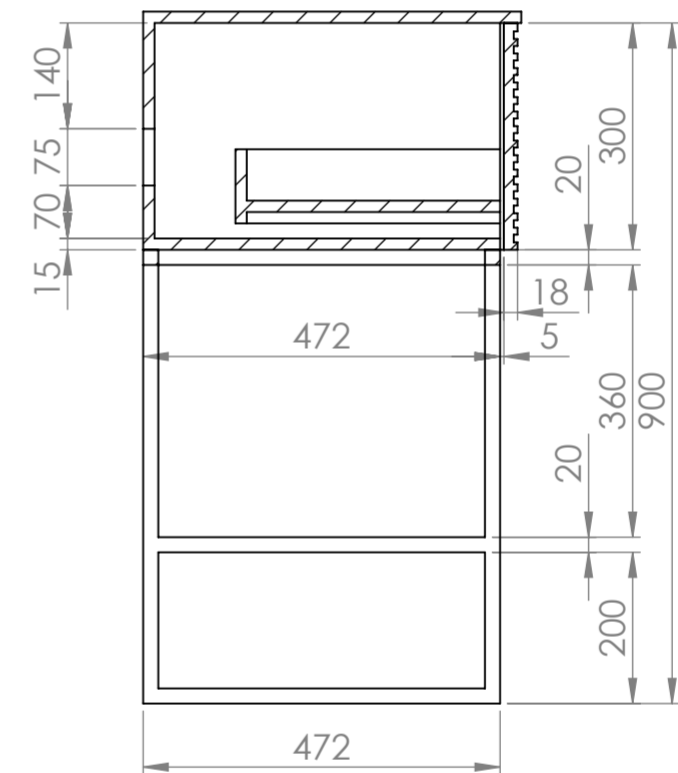
Top View



Top View - Section View



Side View - Section View



<p>LUSO STONE</p>	Product Name	Audemar 1600
	Product Size (mm)	1600 x 500 x 915

All dimensions provided in millimeters.
All vanity units are supplied with no tap hole (s). If you require a tap hole, you will need to use a standard 38mm hole-saw drill attachment.