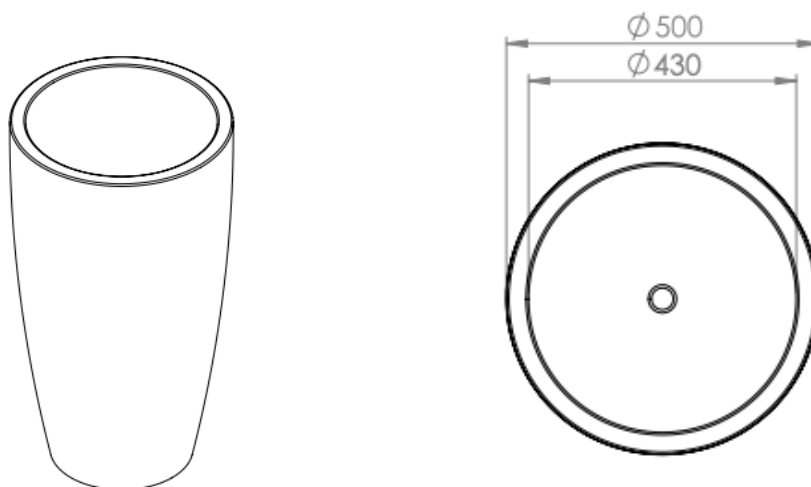


LUSSO

ANNELIE



FEATURES

| | |
|-------------------------------------|--------------------|
| BRAND: | Lusso Stone |
| TITLE: | Annelie |
| ARTICLE NUMBER: | 2010 |
| COLOUR: | White |
| MATERIAL: | Stone Resin |
| AVAILABLE FINISHES: | Matte and Polished |
| PRODUCT DIMENSIONS: | 500 x 900mm |
| NET WEIGHT: | 36kg |
| GROSS WEIGHT (Including packaging): | 46kg |
| INSTALLATION: | Freestanding |

FURTHER DETAILS & DIMENSIONS CAN BE FOUND AT WWW.LUSSOSTONE.COM IN THE FEATURE SECTION AND DOWNLOADS TAB OF EACH PRODUCT PAGE.

TEL: 0203 370 4057

EMAIL: INFO@LUSSOSTONE.COM

WWW.LUSSOSTONE.COM