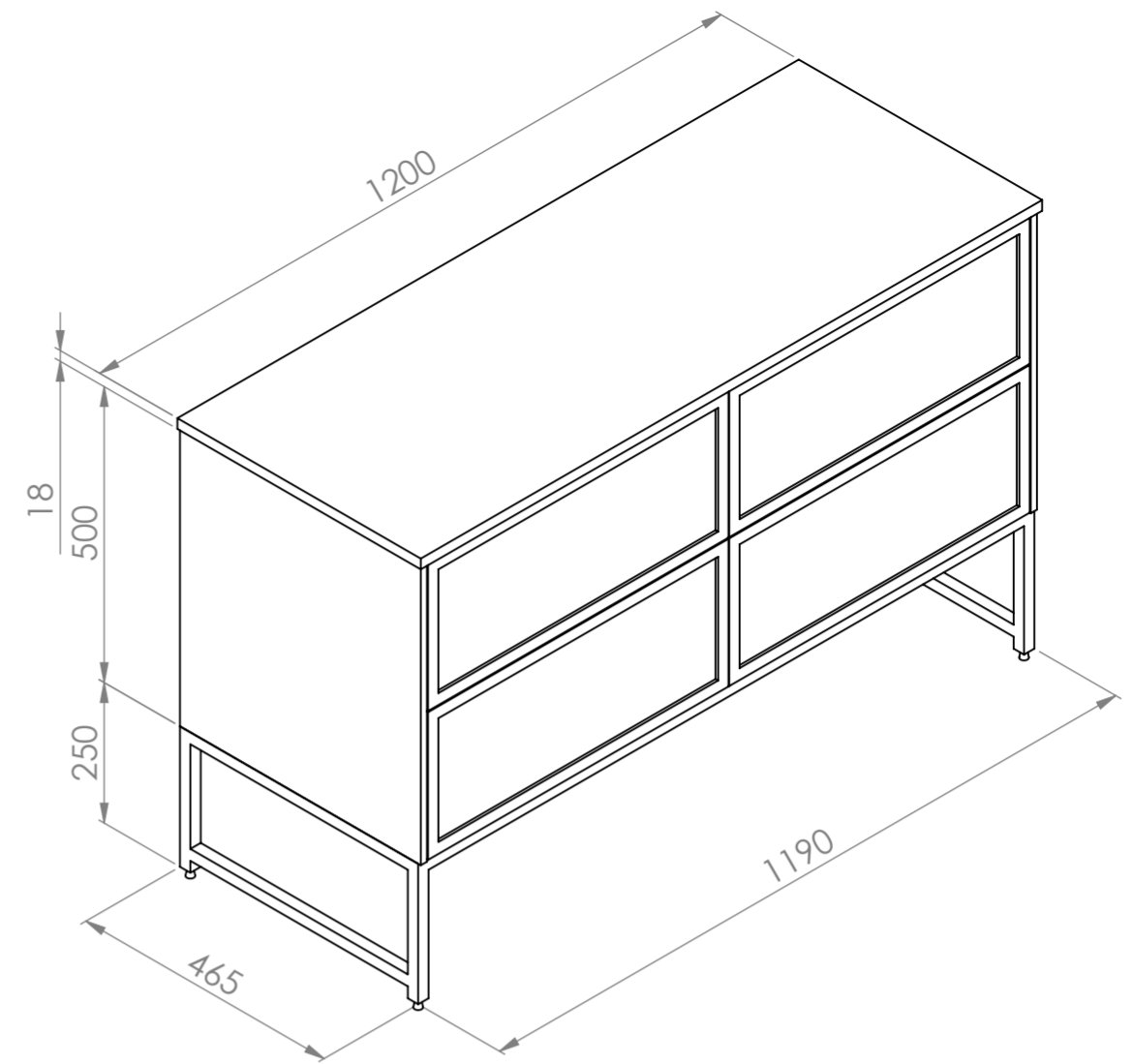
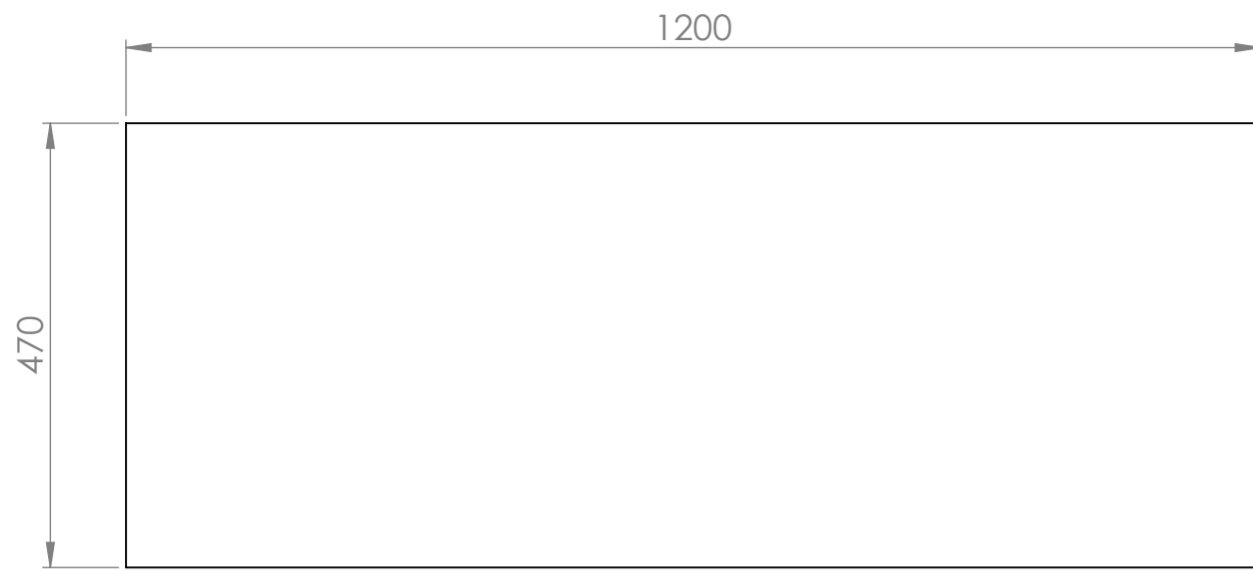
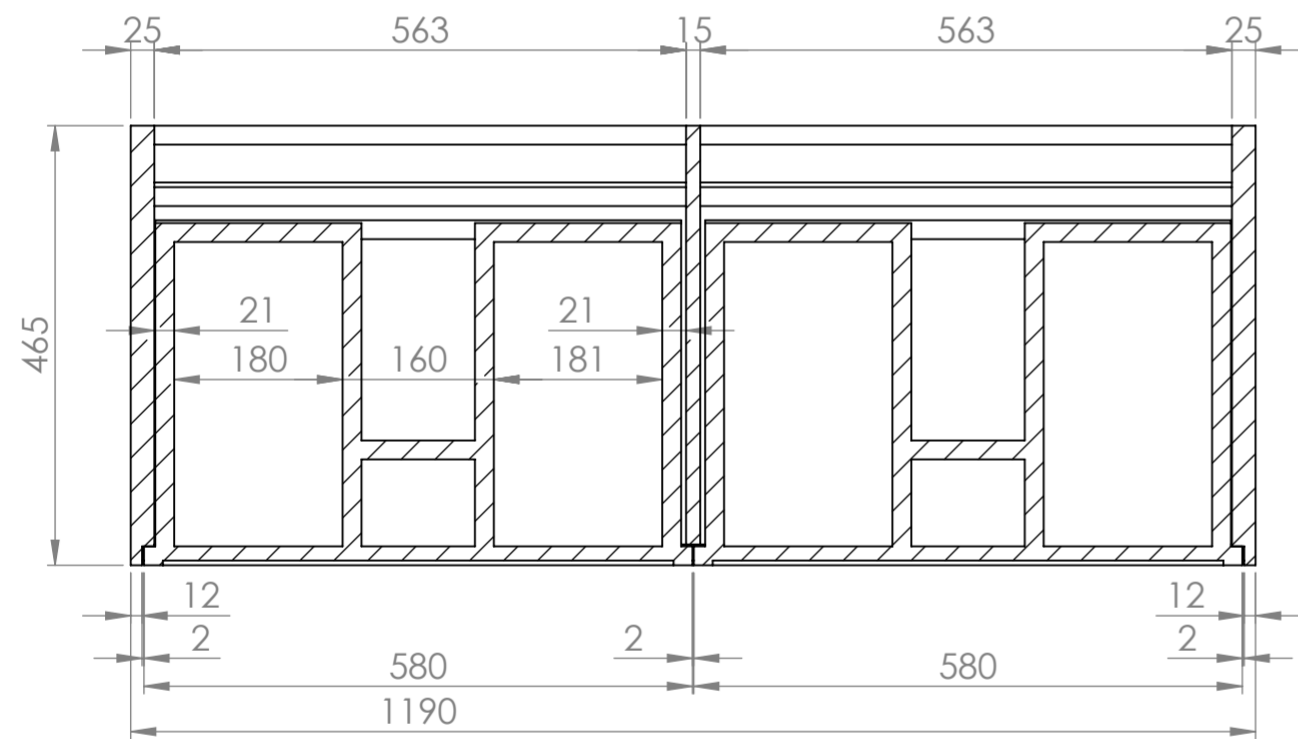


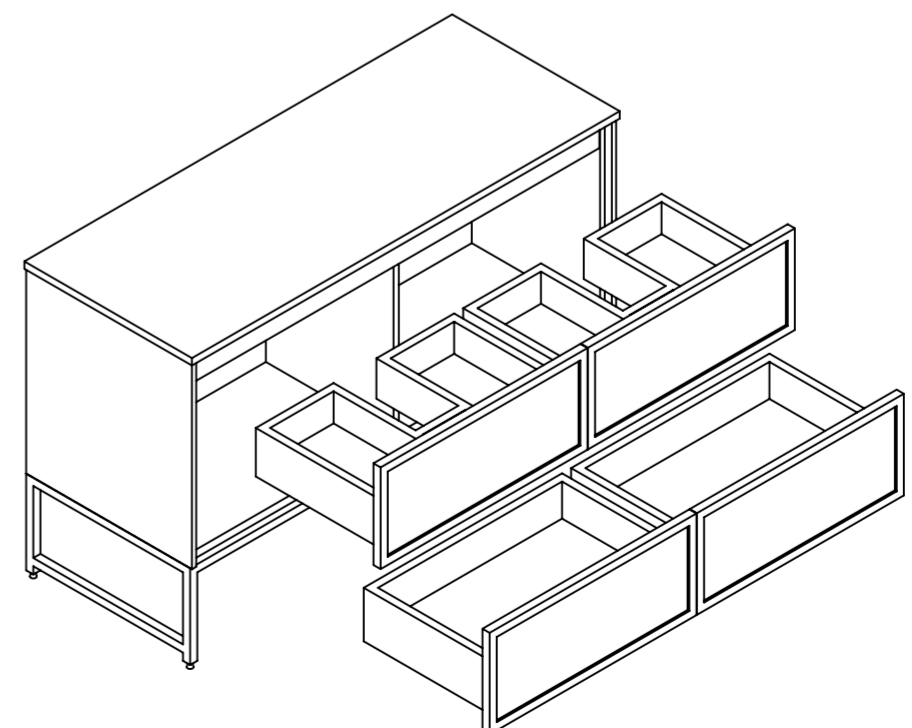
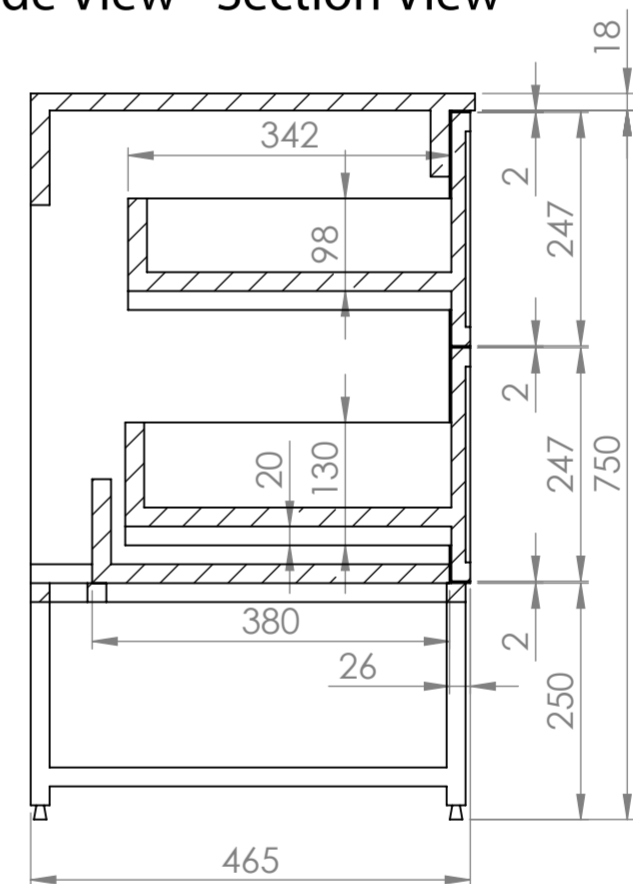
Top View



Top View - Section View



Side View - Section View



LUSSO S T O N E	Product Name	Vanita
	Product Size, mm	1200 x 470 x 768

All dimensions provided in millimeters.
 All countertops are supplied with no tap hole (s). If you require a tap hole, you will need to use a standard 38mm hole-saw drill attachment.