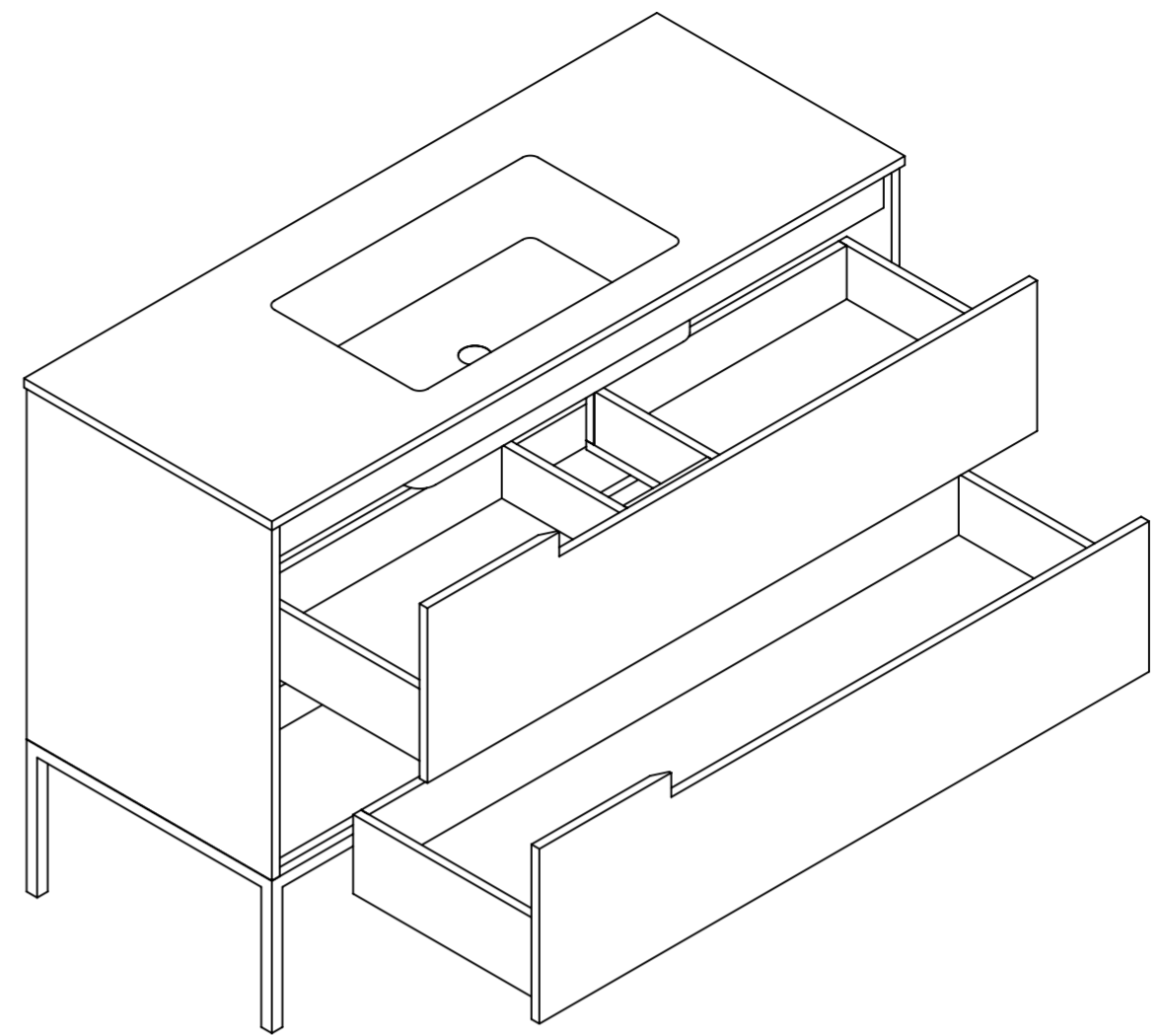
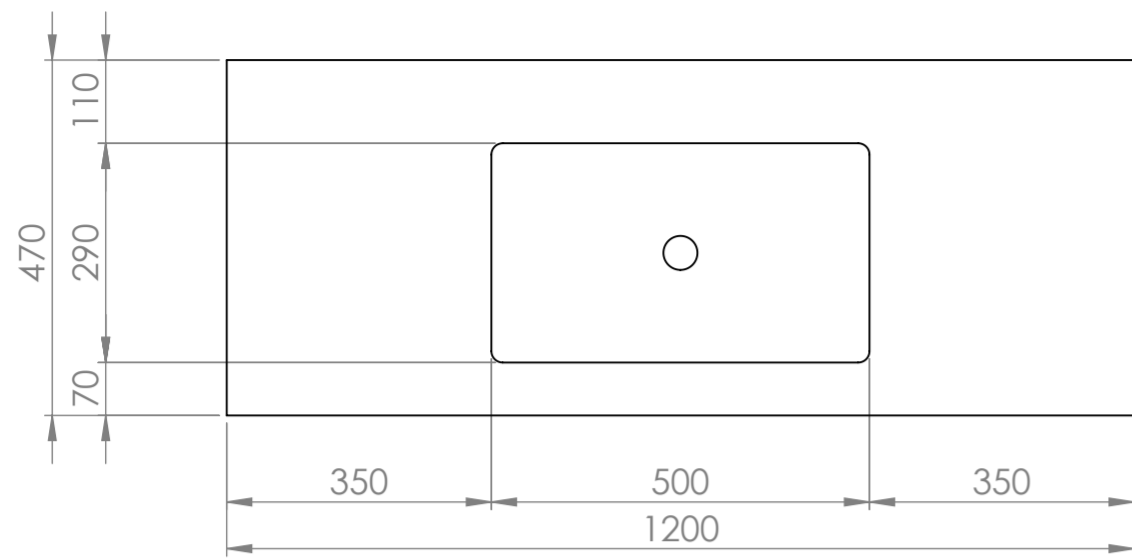
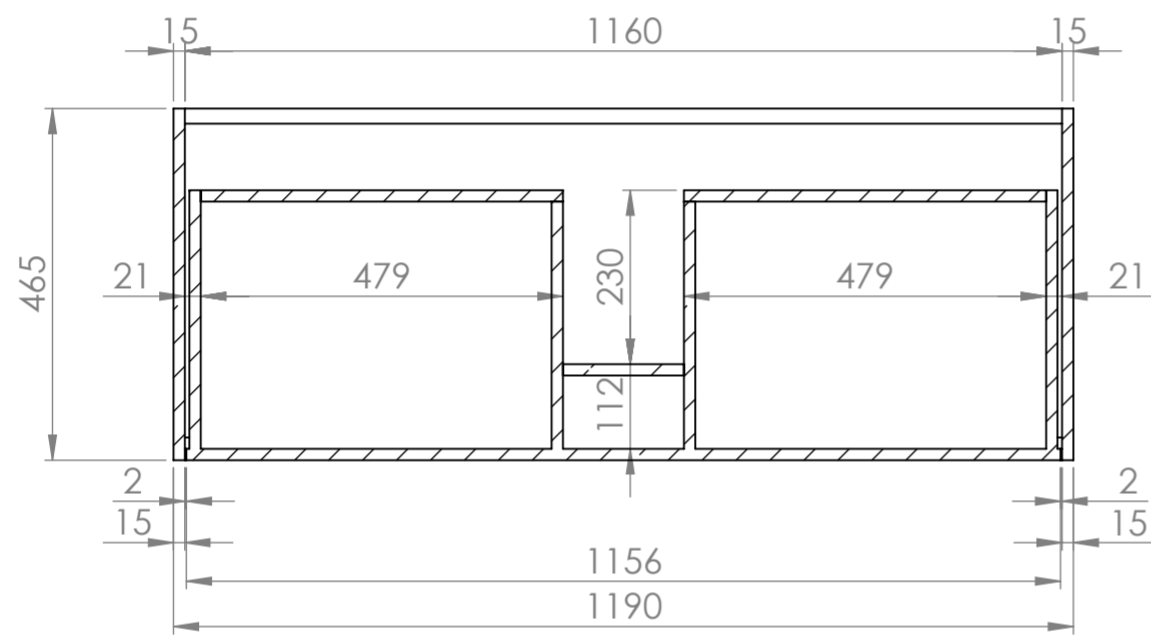


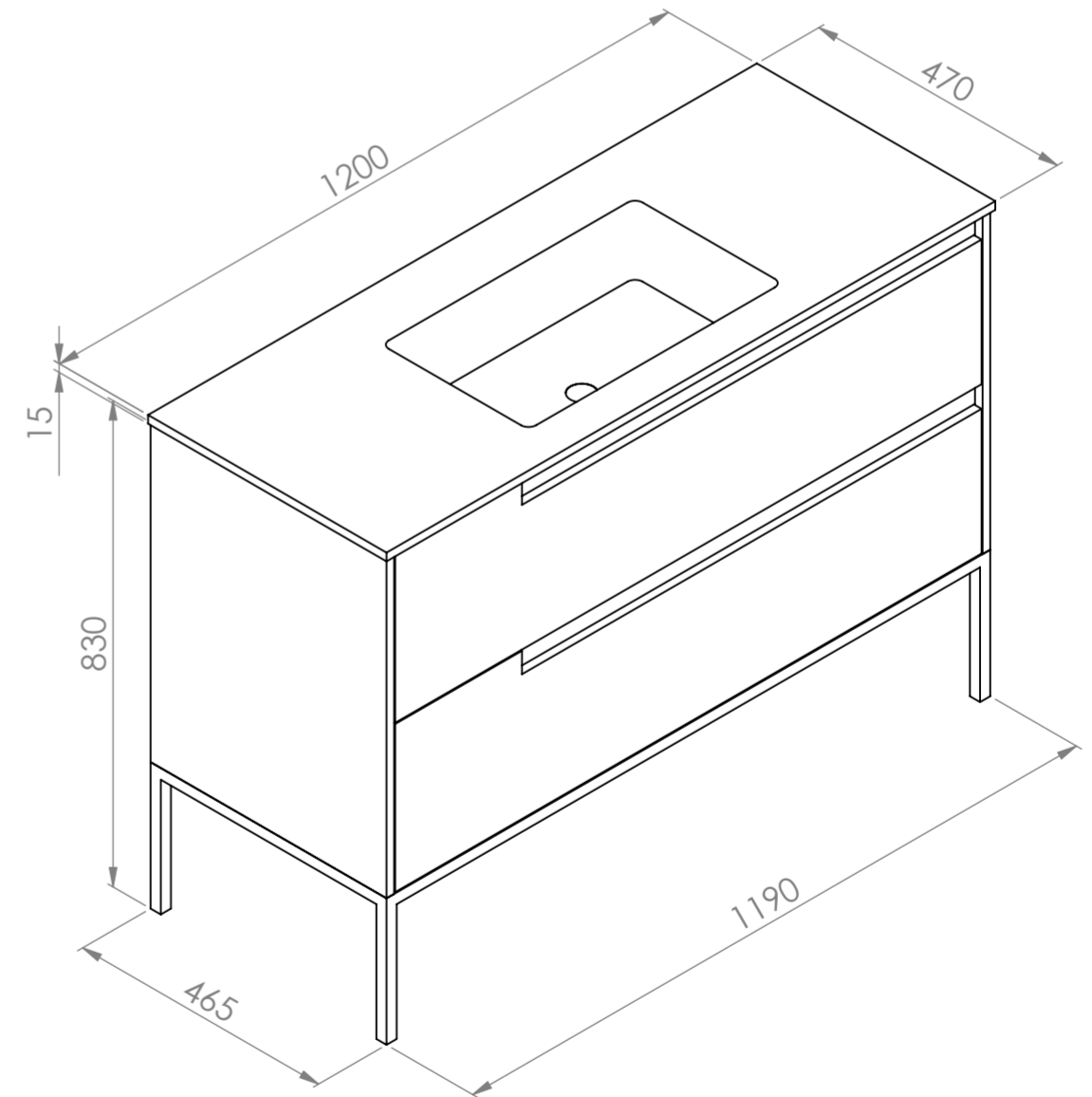
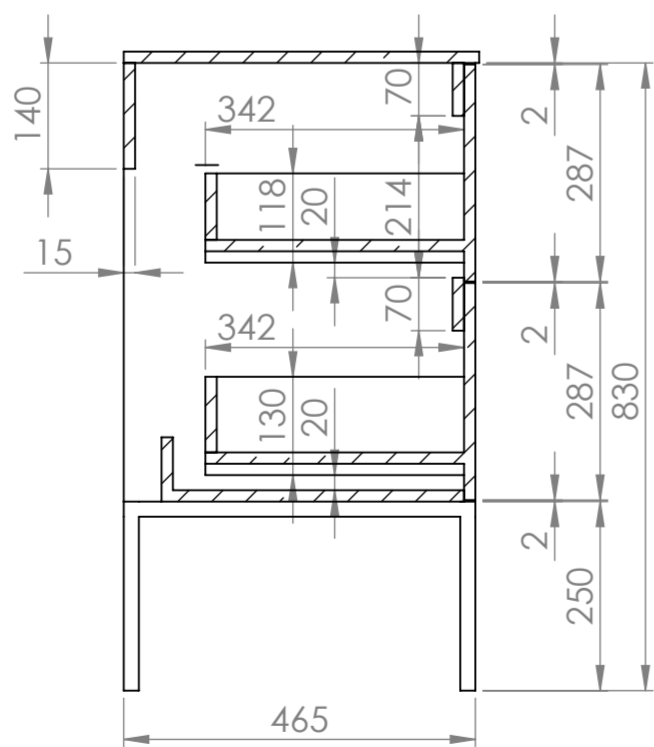
Top View



Top View - Section View



Side View - Section View



LUSSO
STONE

Product Name Zotto Vanity Unit 1200

All dimensions provided in millimeters.

All vanity units are supplied with no tap hole (s). If you require a tap hole, you will need to use a standard 38mm hole-saw drill attachment.