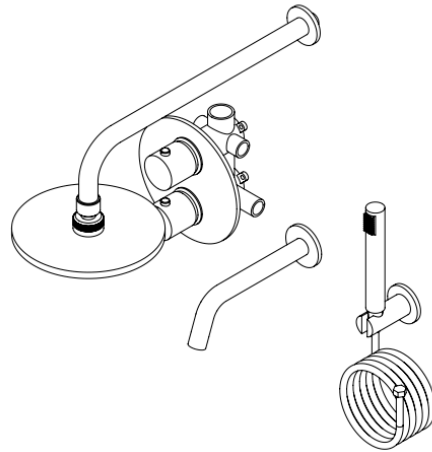


LUSSO

LUSSO LUXE 3 WAY SHOWER SET

LUS3000



CONSTRUCTION:	Lead-Free Brass
MOUNT TYPE:	Wall Mounted
CARTRIDGE:	Thermostatic
PIPE CONNECTIONS:	G ½"
WORKING PRESSURE:	0.50 - 10.0 Bar
OPERATING TEMPERATURE:	5°C - 80°C
SUPPLY:	Suitable for all plumbing systems

- Made from brass to preserve quality
- Citec cartridges for smooth operation
- Neoperl aerator
- Available in assorted finishes
- Solid brass lever

OPEN OUTLET FLOW (Bar – l/min)

15 Year Guarantee

Bar	0.5	1.0	1.5	2.0	3.0	4.0	5.0
Overhead Flow	--	17.5	19.3	21.6	24.5	27.40	32.00
Handheld Flow	7.02	10.2	12.85	14.8	18	20.68	22.97
Spout Flow	8.9	12.6	15.6	18	21.9	25	28

Please Note: Flow rate will be dictated by installation configurations.
Please ensure to check the appropriate flow restrictor information if applicable.
Please refer to the website for full warranty details.

CERTIFICATION:

- WRAS APPROVED: 1909408
- UPC
- CE
- WATERMARK

FURTHER DETAILS & DIMENSIONS CAN BE FOUND AT WWW.LUSSOSTONE.COM IN THE FEATURES SECTION AND DOWNLOADS TAB OF EACH PRODUCT PAGE.

TEL: 0203 370 4057

EMAIL: INFO@LUSSOSTONE.COM

WWW.LUSSOSTONE.COM

THE INFORMATION ON THIS DOCUMENT WAS CORRECT AT THE DATE OF ISSUE. SOME VARIATION MAY OCCUR DUE TO MANUFACTURING TOLERANCES AND SITE-SPECIFIC CONDITIONS.