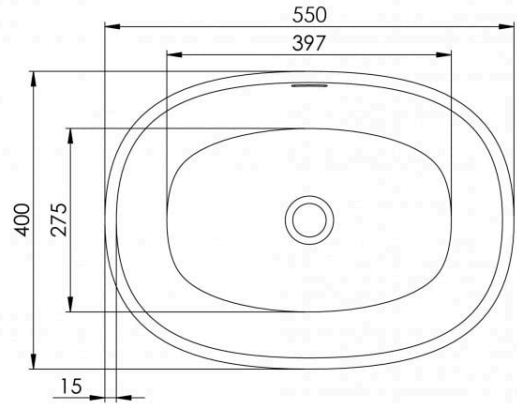
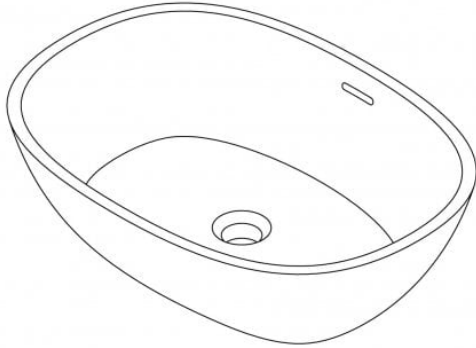


## VETRINA



### FEATURES

BRAND:	Lusso Stone
TITLE:	Vetrina
ARTICLE NUMBER:	38388 M Black
COLOUR:	Black
MATERIAL:	Stone Resin
AVAILABLE FINISHES:	Matte Outside Polished Inside
PRODUCT DIMENSIONS:	550 x 400 x 150
NET WEIGHT:	13kg
GROSS WEIGHT (Including packaging):	14kg
INSTALLATION:	Counterop

FURTHER DETAILS & DIMENSIONS CAN BE FOUND AT [WWW.LUSSOSTONE.COM](http://WWW.LUSSOSTONE.COM) IN THE FEATURE SECTION AND DOWNLOADS TAB OF EACH PRODUCT PAGE.

TEL: 0203 370 4057

EMAIL: [INFO@LUSSOSTONE.COM](mailto:INFO@LUSSOSTONE.COM)

[WWW.LUSSOSTONE.COM](http://WWW.LUSSOSTONE.COM)