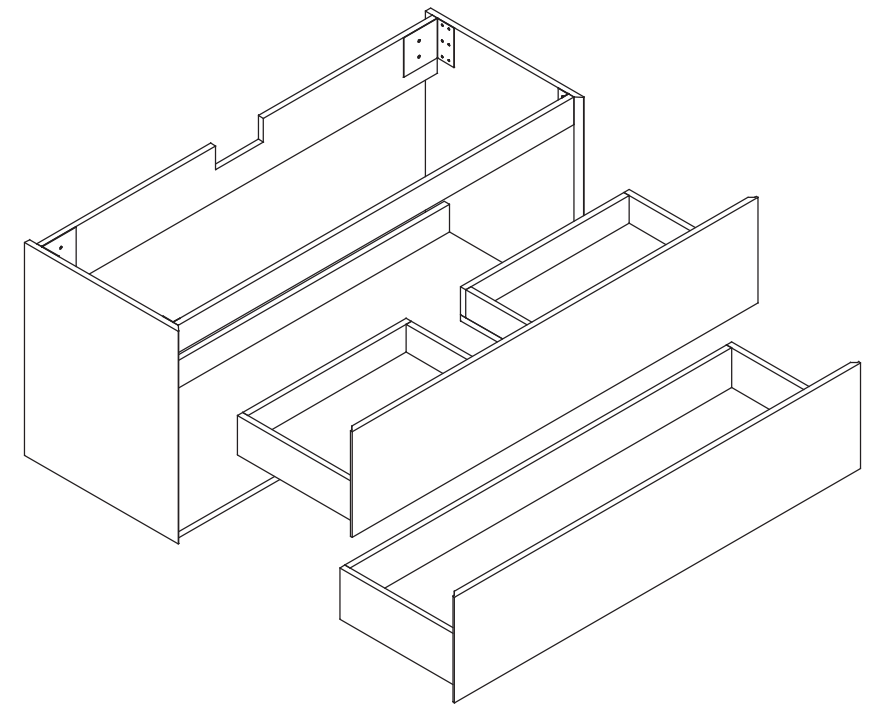
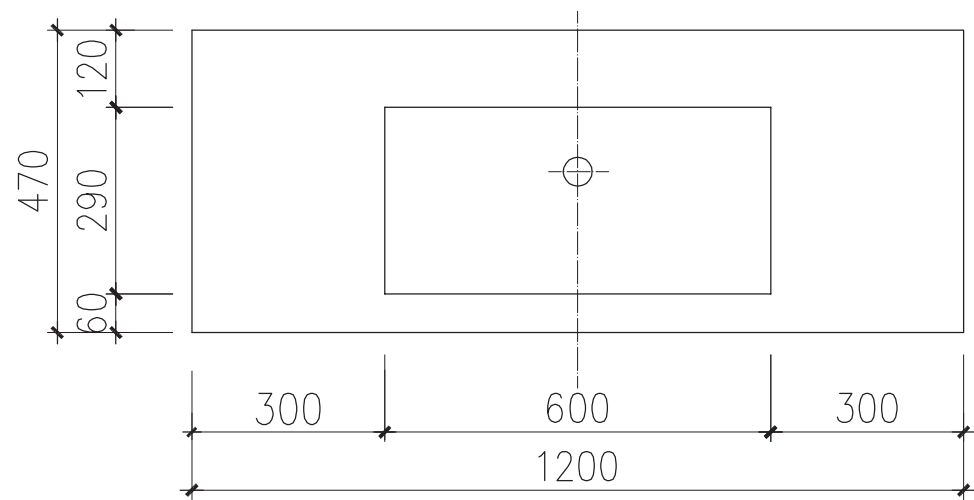
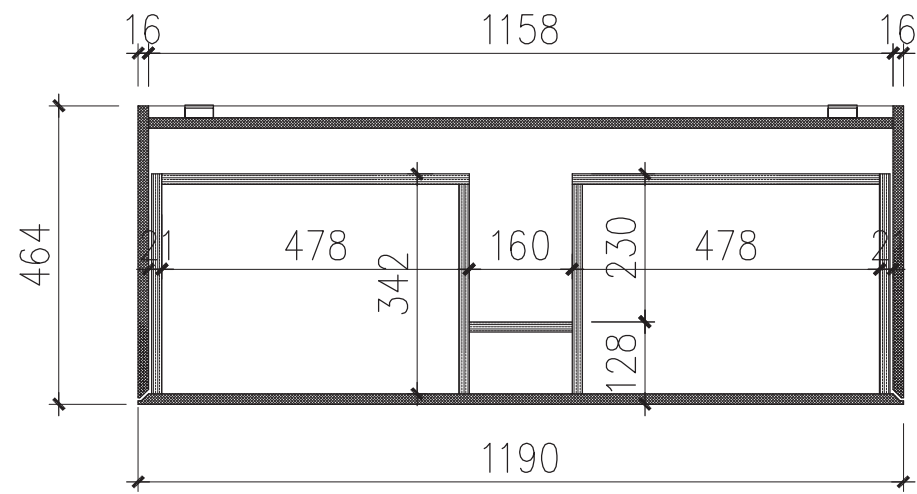


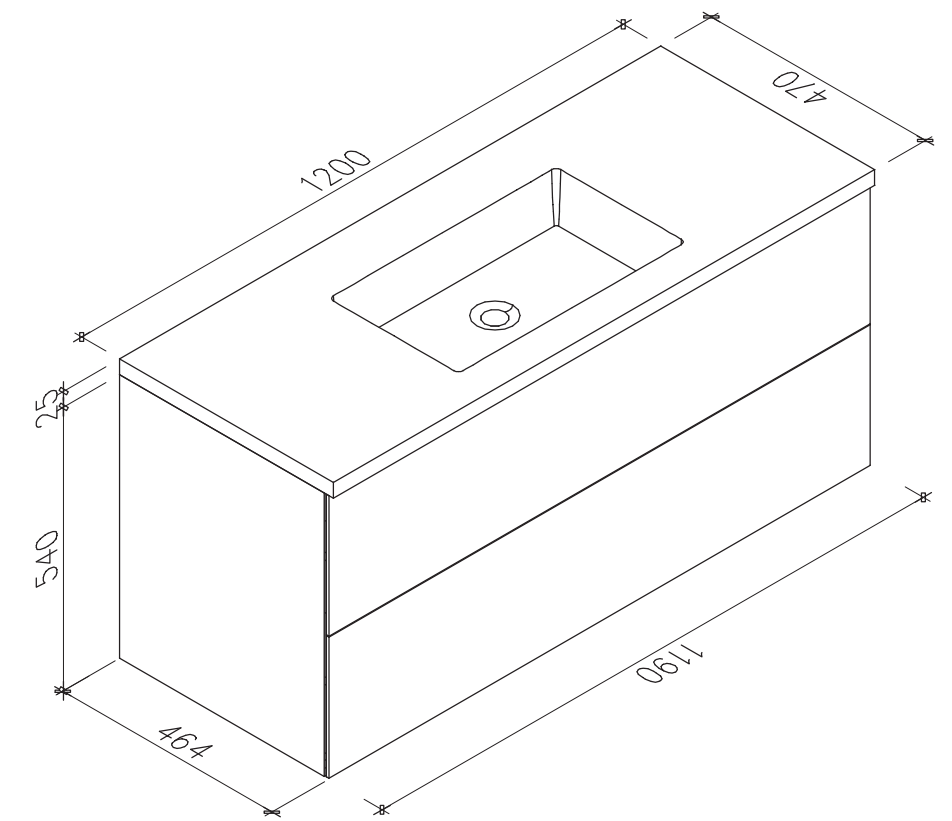
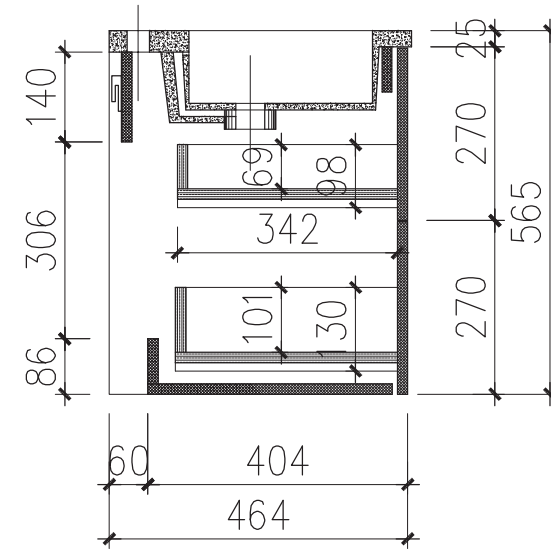
Top View



Top View - Section View



Side View - Section View



<h1>LUSO</h1> <p>STONE</p>	Product Name	Veneto 1200
	Material	Stone Resin Basin / Wood Cabinet
	Size, mm	1200 x 460 x 565

All dimensions provided in millimeters.
 All vanity units are supplied with no tap hole (s). If you require a tap hole,
 you will need to use a standard 38mm hole-saw drill attachment.