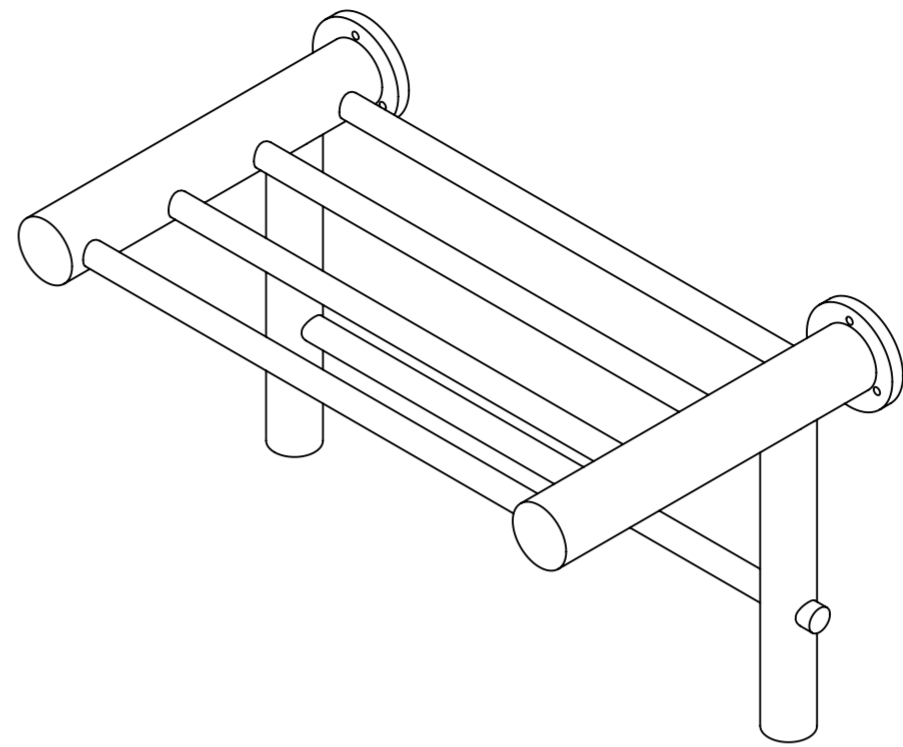
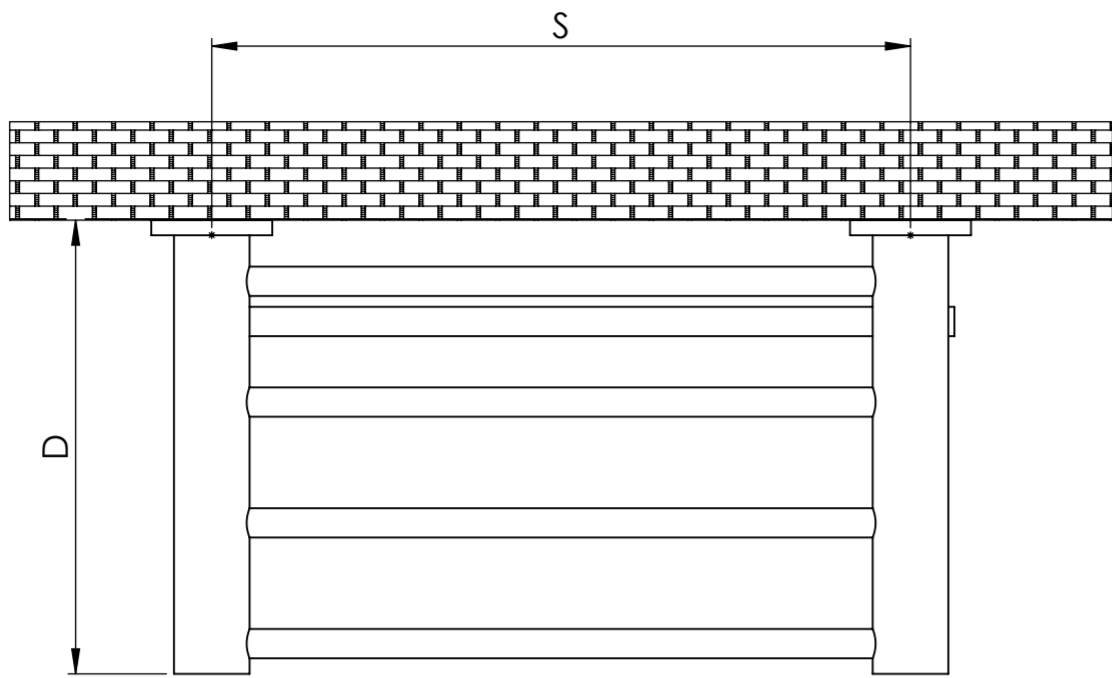
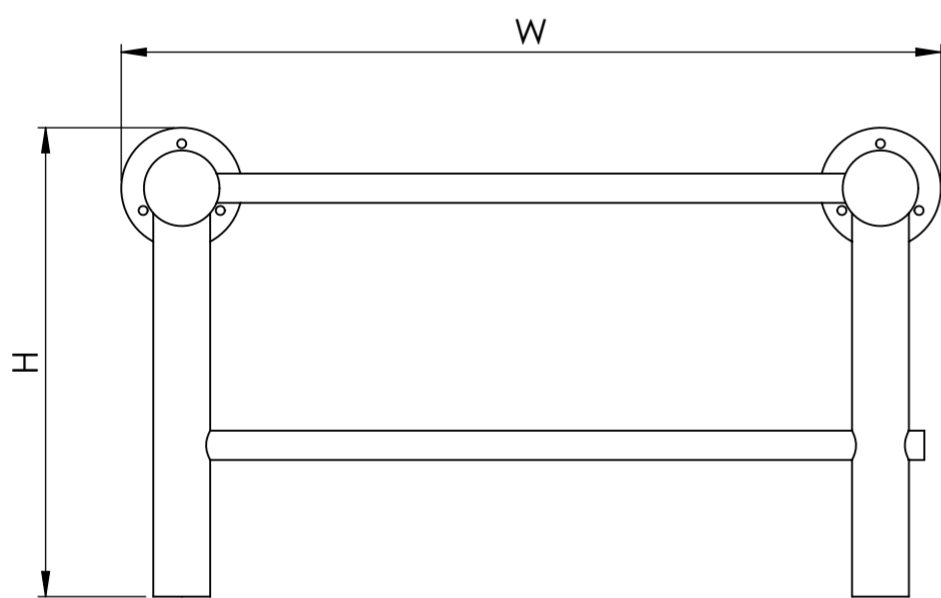


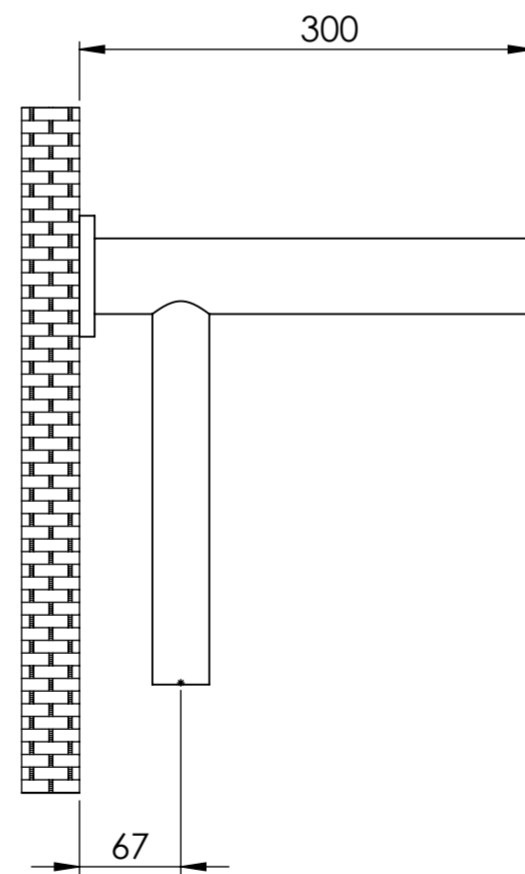
Top View



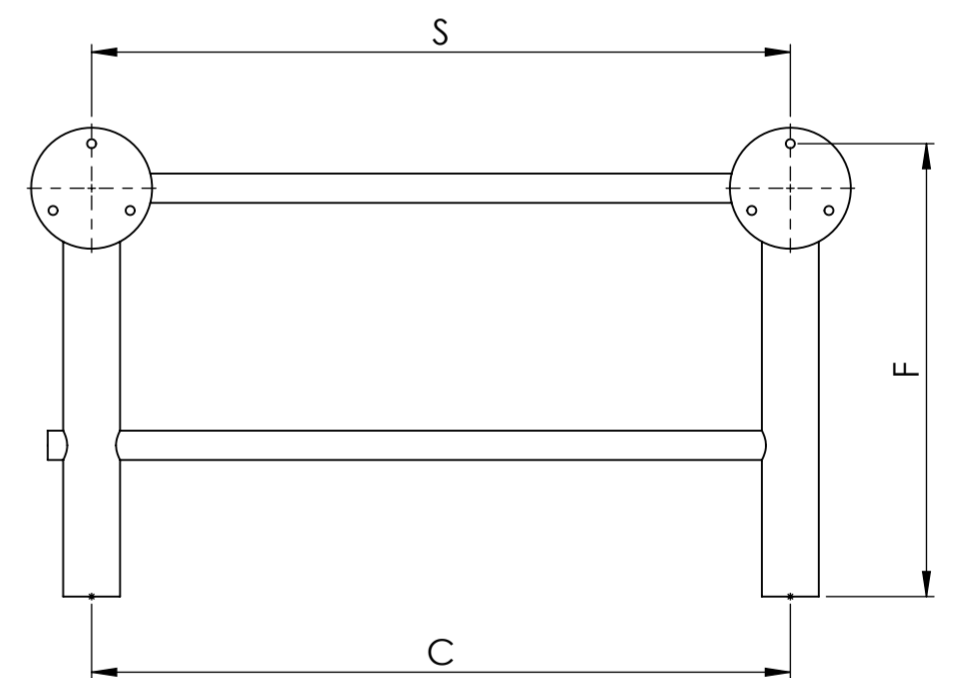
Front View



Side View



Back View



All dimensions provided in millimeters.

| | | | | | | | | | | | |
|---------------------------|-------------------------|---------------|--------------|------------------|---------------------------------------|-------------------------------|--|-----------------------------|---------------------|---------------------|-------------------------|
| LUSSO S T O N E | Product Name | Height | Width | Thickness | Plumbing Axes Center to Center | Hanger Axes Horizontal | Hanger to Bottom of the Product | Hanger Axes Vertical | Water Volume | Empty Weight | Thermal Output |
| | | H | W | D | C | S | F | G | - | - | Watt - BTU/hr (Δ50°) |
| | | mm | mm | mm | mm | mm | mm | mm | mm | L | kg |
| | BIVANO 300 X 800 | 294 | 532 | 300 | 462 | 462 | 276 | - | 1.70 | 2.72 | 134 - 457 |