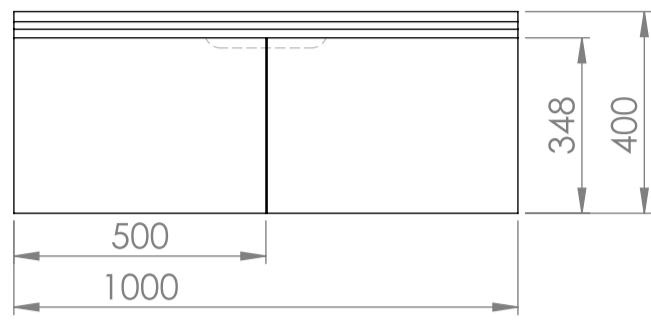
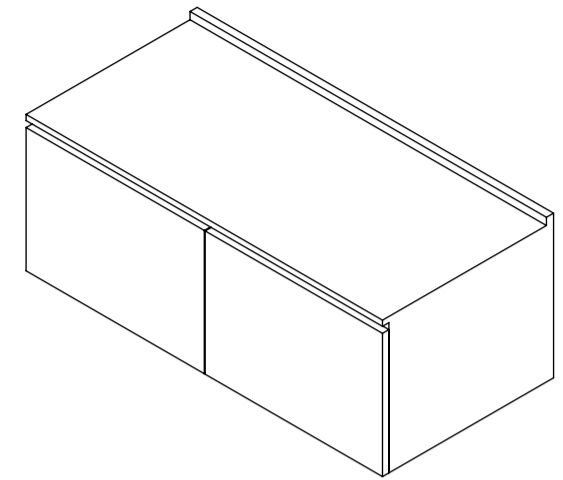
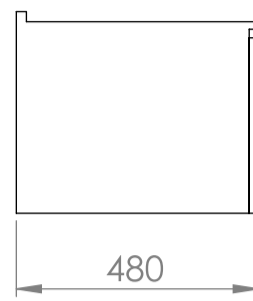


Front View



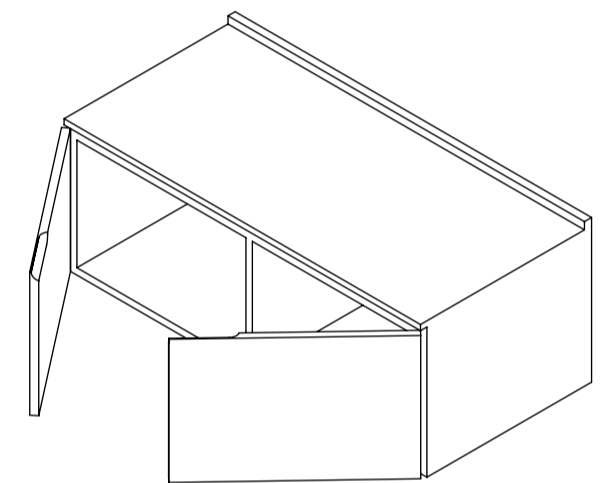
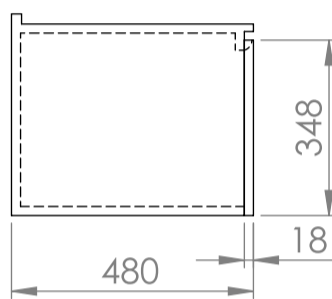
Side View



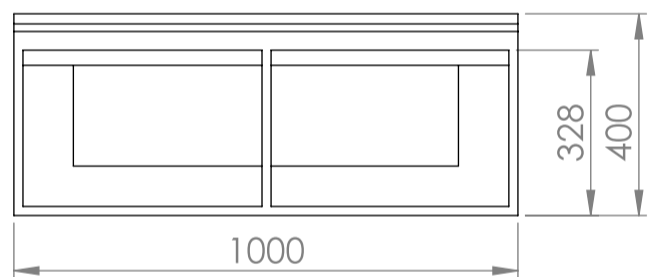
Top View



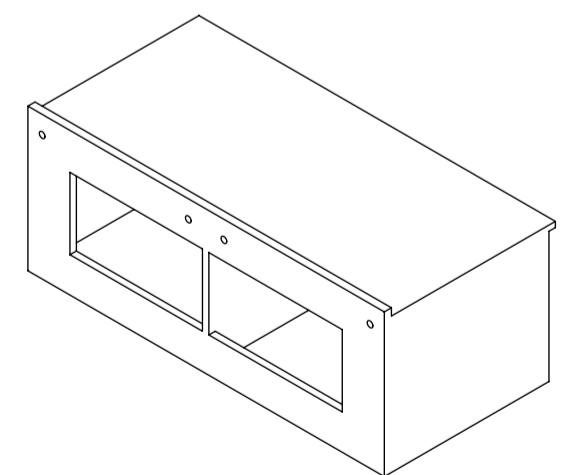
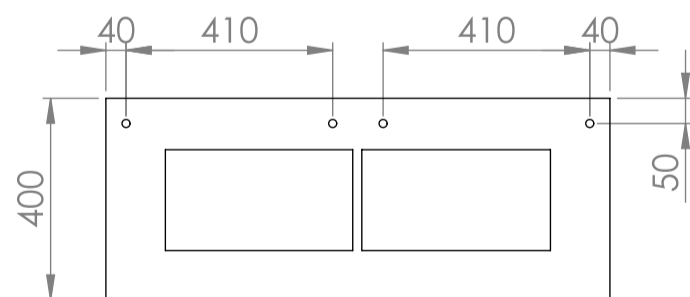
Side View



Front View (Excluding Doors)



Back View



**LUSSO**  
STONE

Product Name	Luxor 1000
Material	Stone Resin
Size, mm	1000 x 400 x 480

*All dimensions provided in millimeters.*

*All vanity units are supplied with no tap hole (s). If you require a tap hole, you will need to use a standard 38mm hole-saw drill attachment.*