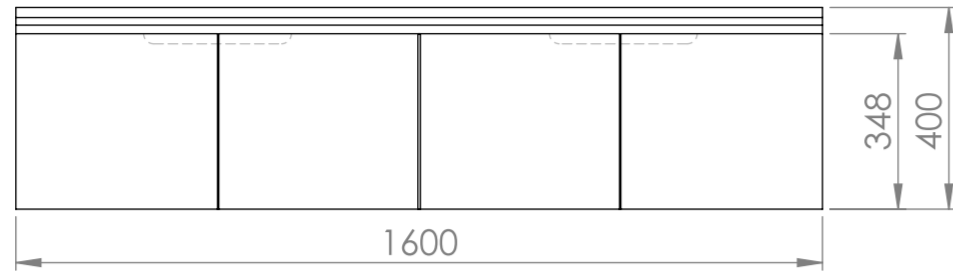
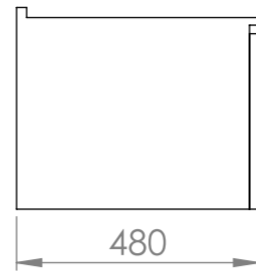


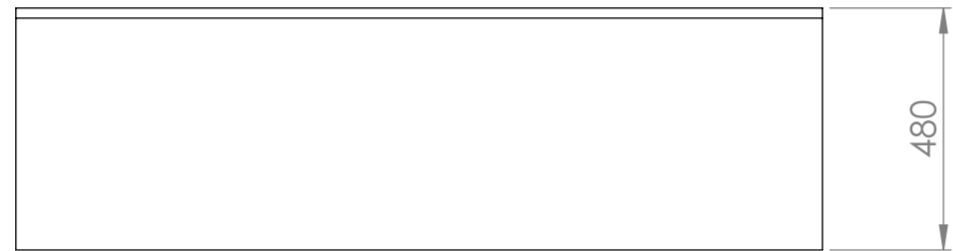
Front View



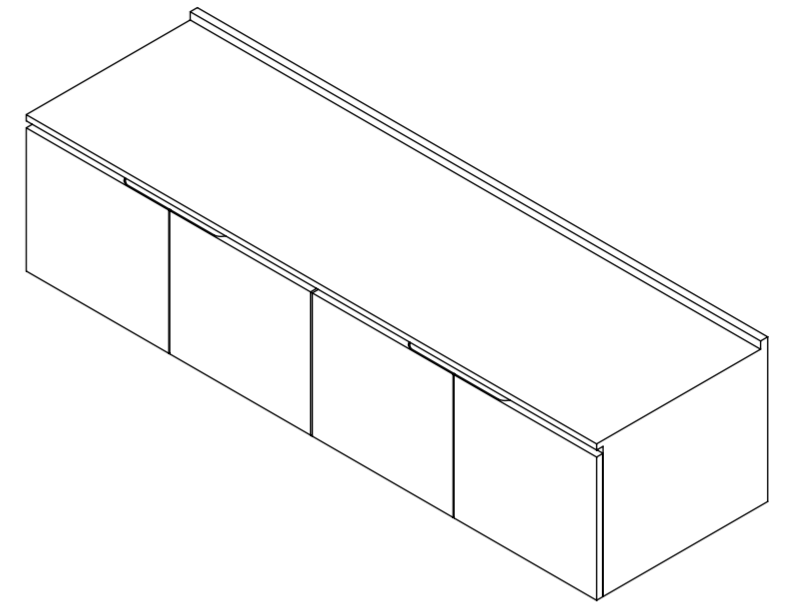
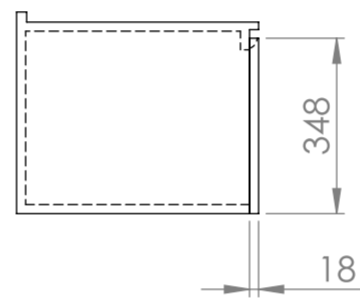
Side View



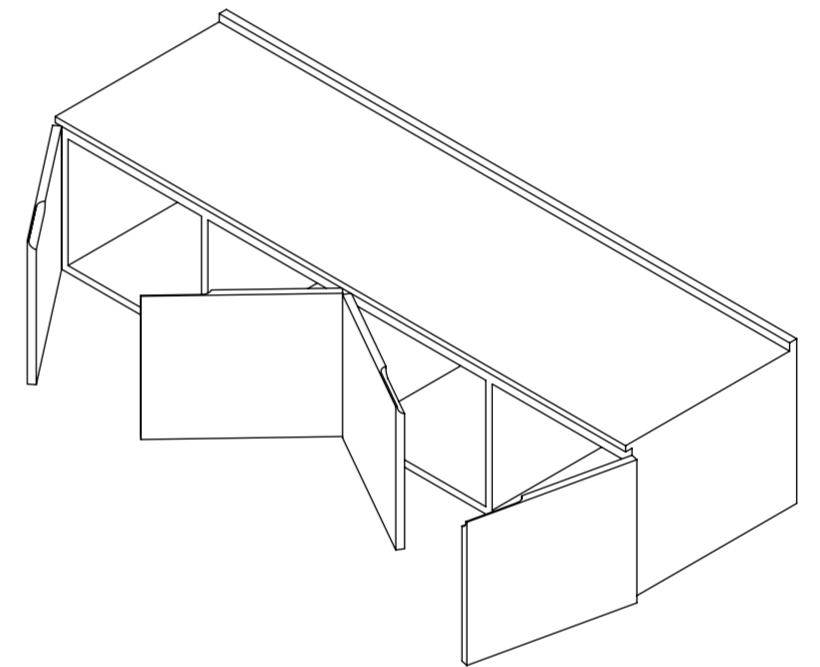
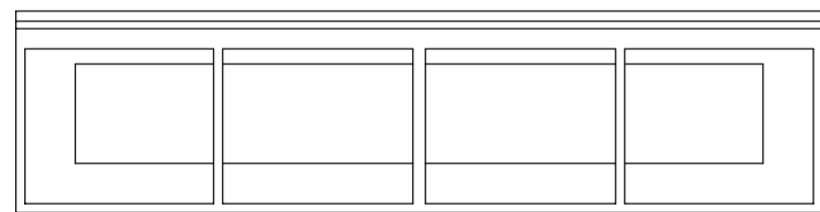
Top View



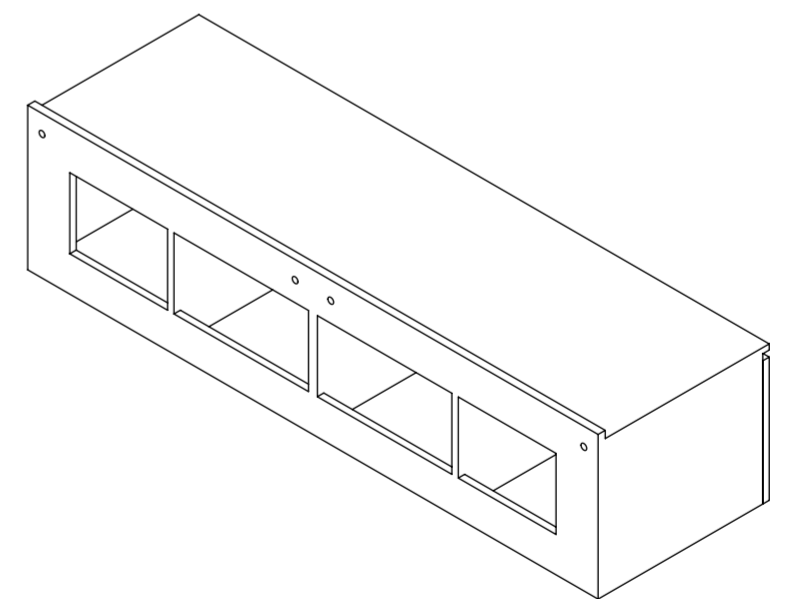
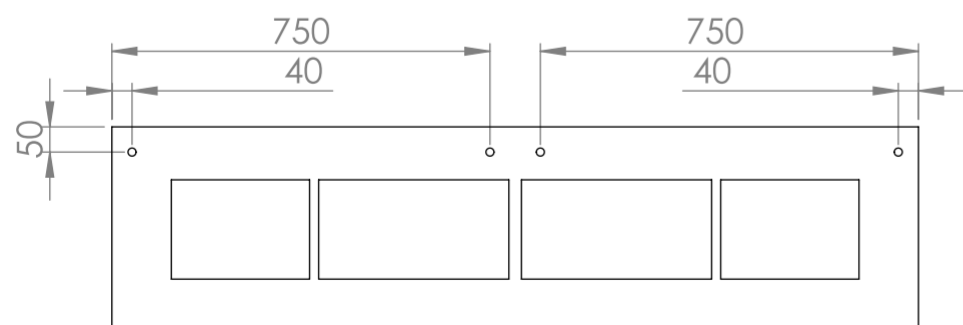
Side View



Front View (Excluding Doors)



Back View



LUSSO
S T O N E

Product Name	Luxor 1600
Material	Stone Resin
Size, mm	1600 x 480 x 400

*All dimensions provided in millimeters.
All vanity units are supplied with no tap hole (s). If you require a tap hole,
you will need to use a standard 38mm hole-saw drill attachment.*