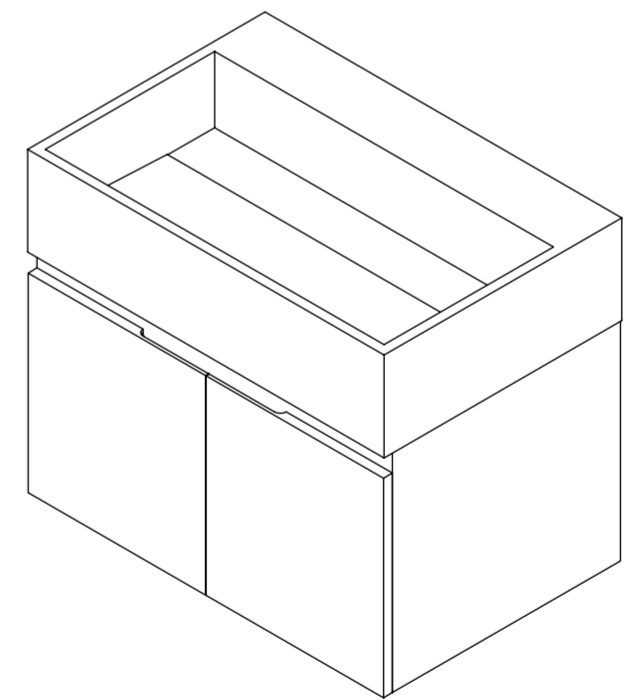
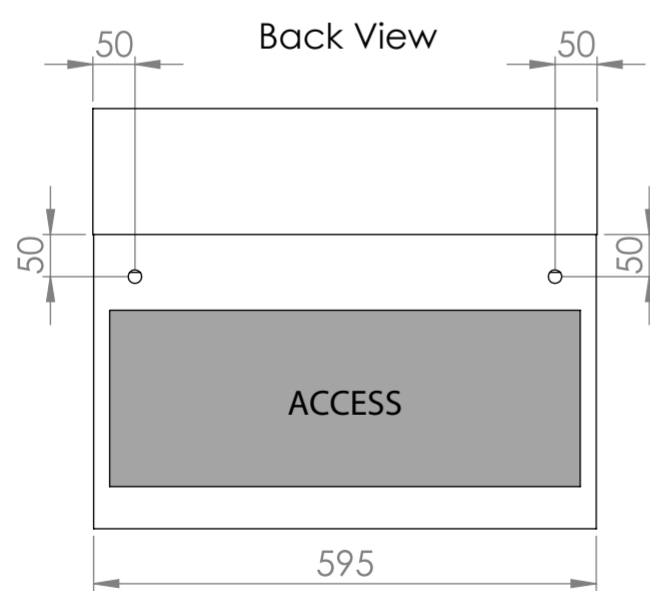
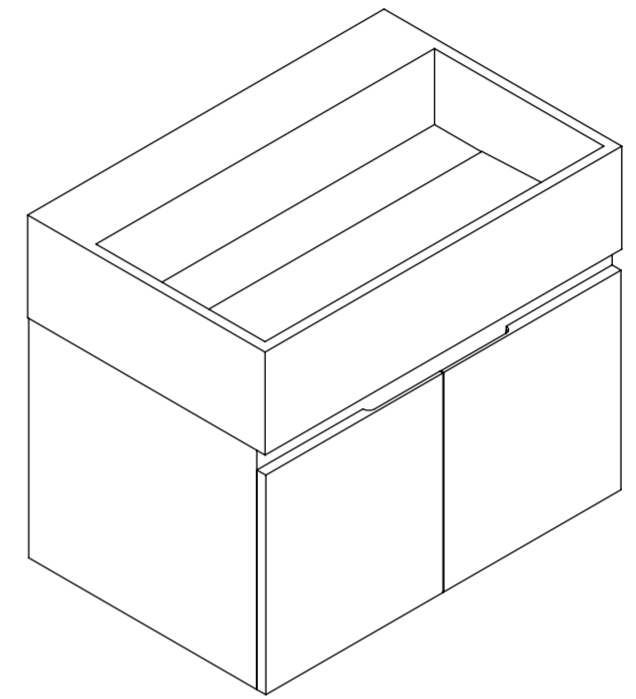
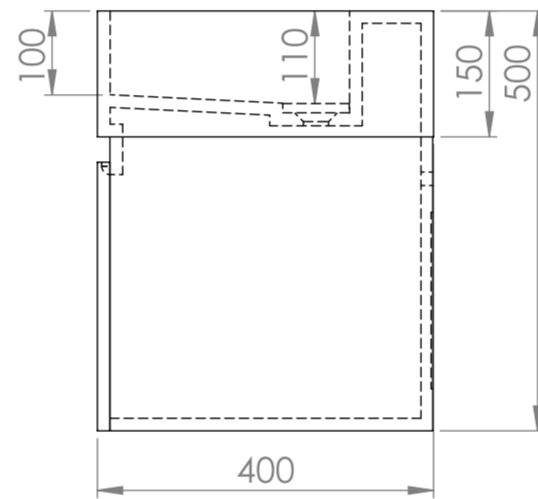


Side View - Section View



LUSO
STONE

Product Name	Ethos Vanity Unit 600
Material	Stone Resin
Size, mm	600 x 400 x 500

*All dimensions provided in millimeters.
All vanity units are supplied with no tap hole (s). If you require a tap hole,
you will need to use a standard 38mm hole-saw drill attachment.*