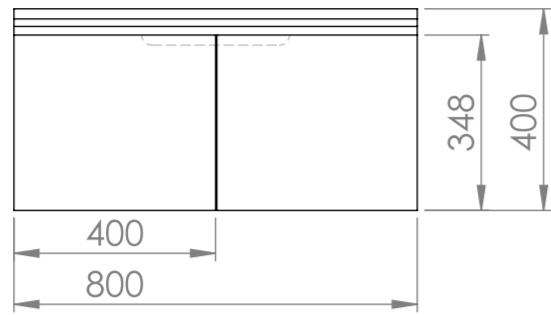
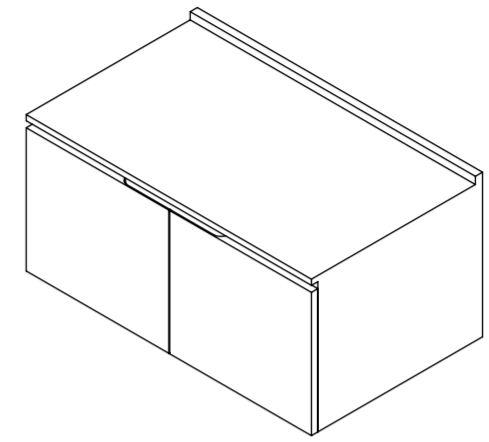
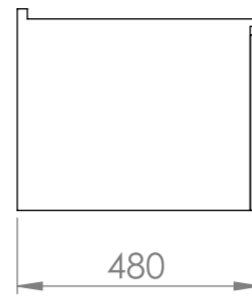


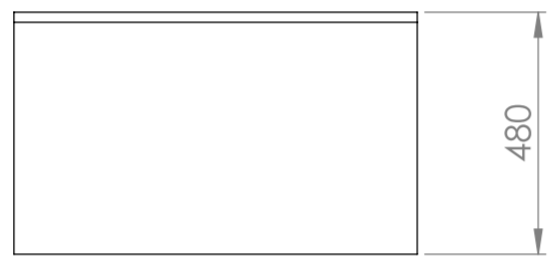
Front View



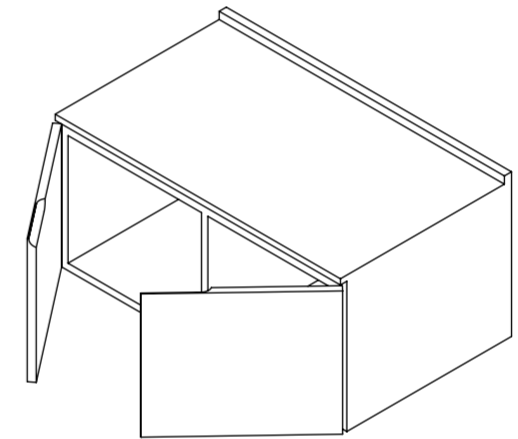
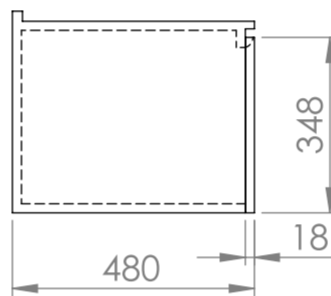
Side View



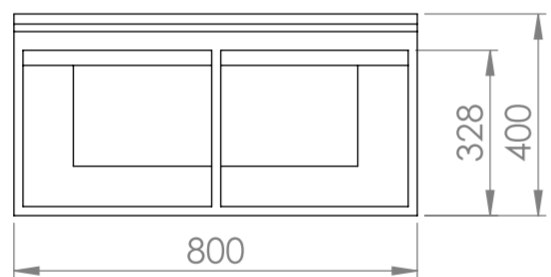
Top View



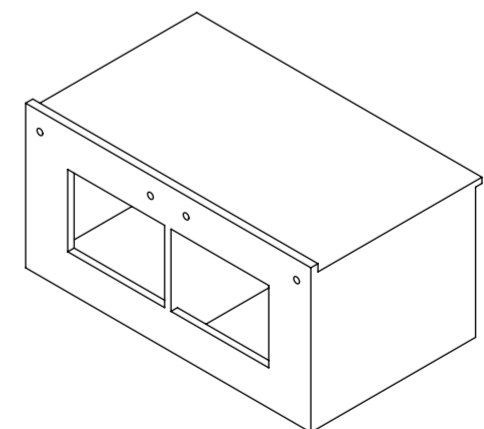
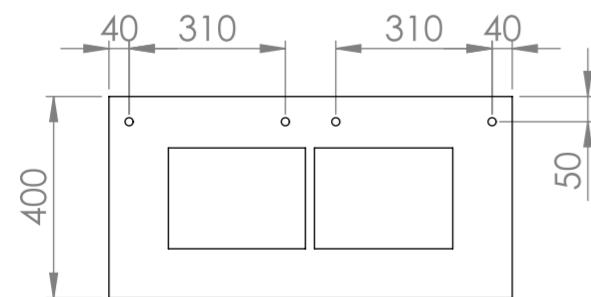
Side View



Front View (Excluding Doors)



Back View



<h1>LUSSO</h1> <p>S T O N E</p>	Product Name	Luxor 800
	Material	Stone Resin
	Size, mm	800 x 400 x 480

*All dimensions provided in millimeters.  
All vanity units are supplied with no tap hole (s). If you require a tap hole, you will need to use a standard 38mm hole-saw drill attachment.*