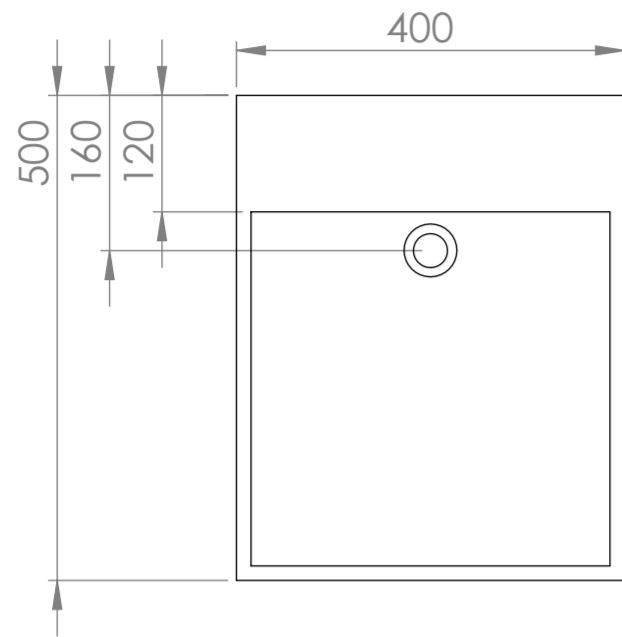
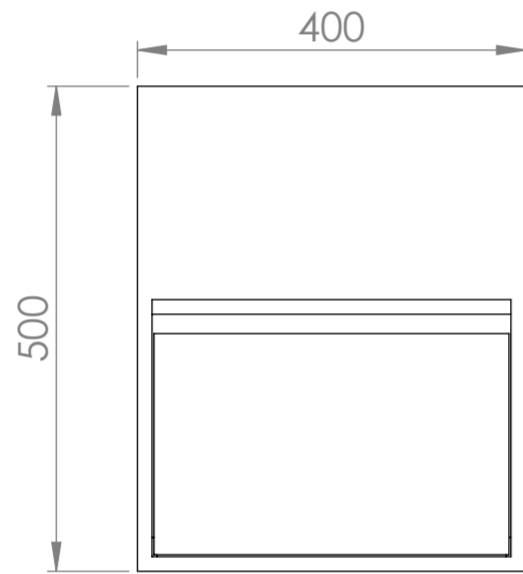


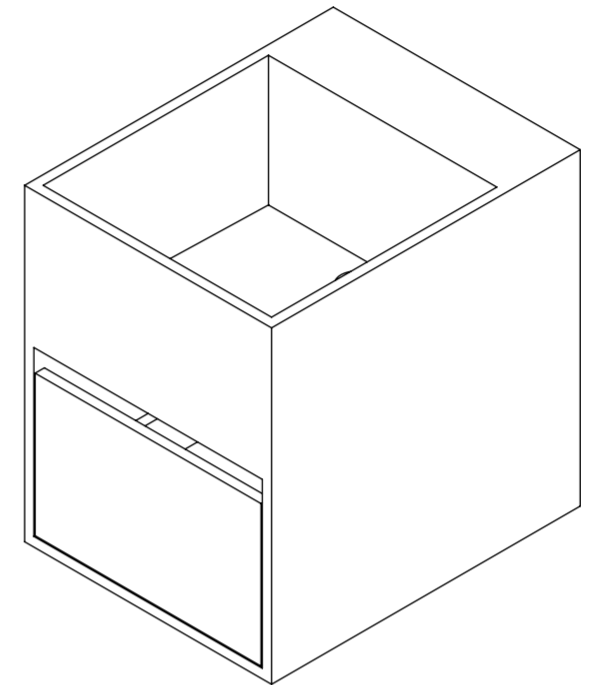
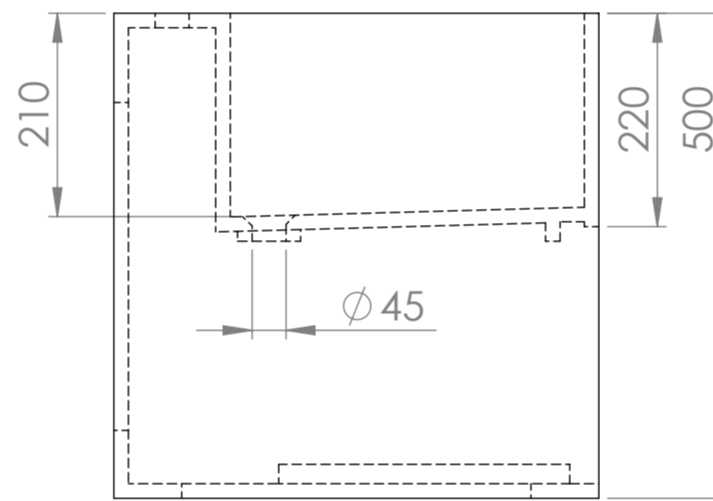
Top View



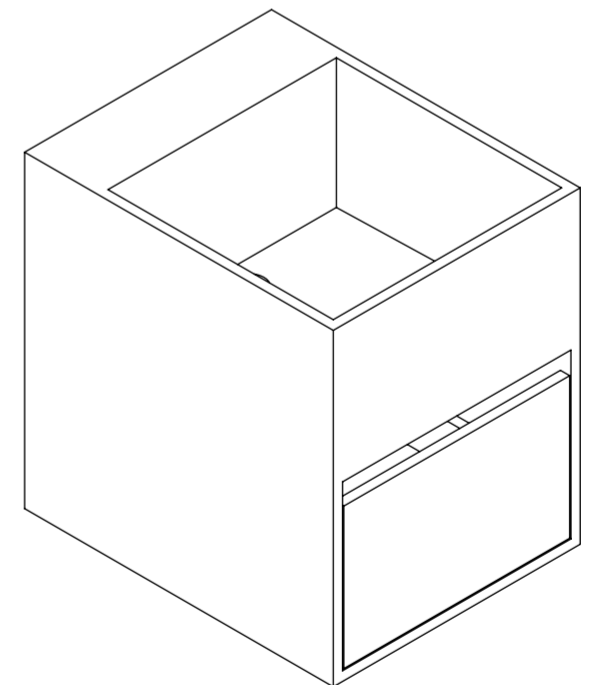
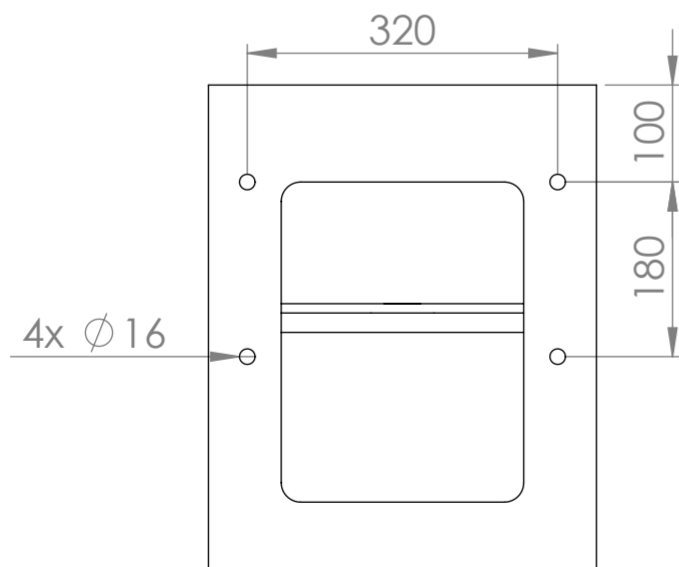
Front View



Side View - Section View



Back View



LUSSO S T O N E	Product Name	Ethos 400 Vanity
	Material	Stone Resin
	Size, mm	400 x 500 x 500

*All dimensions provided in millimeters.
 All vanity units are supplied with no tap hole (s). If you require a tap hole,
 you will need to use a standard 38mm hole-saw drill attachment.*