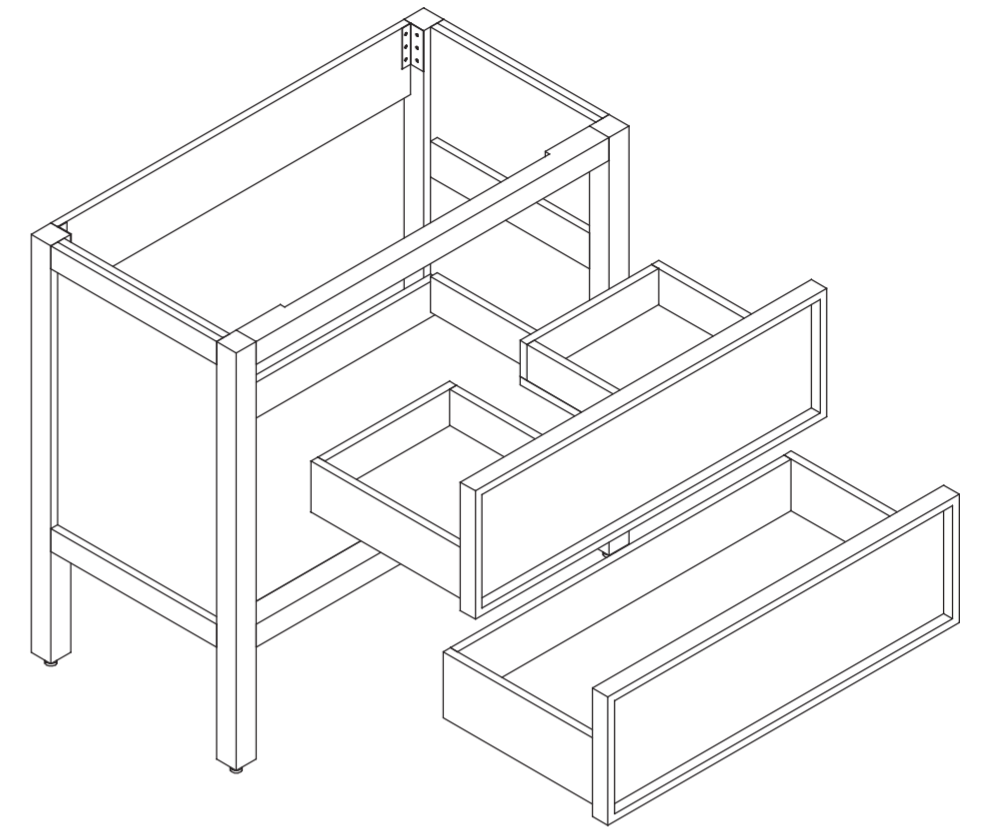
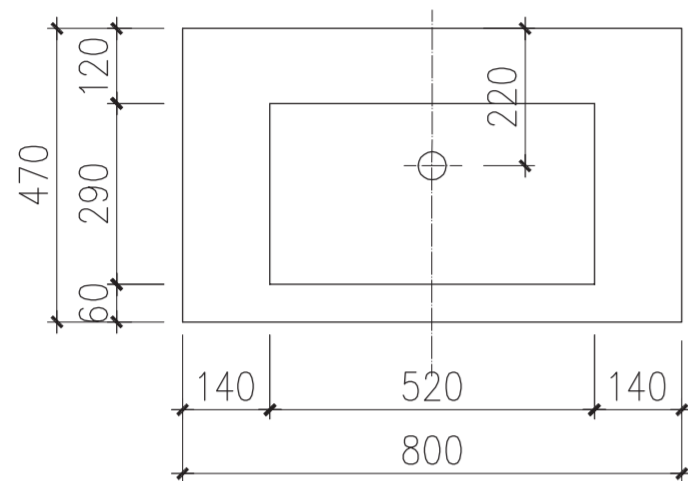
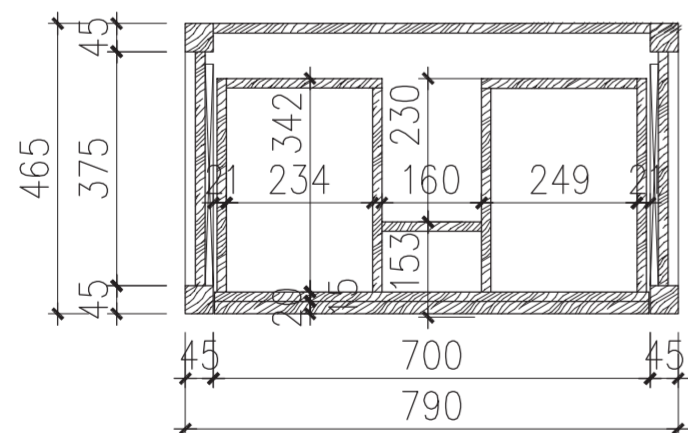


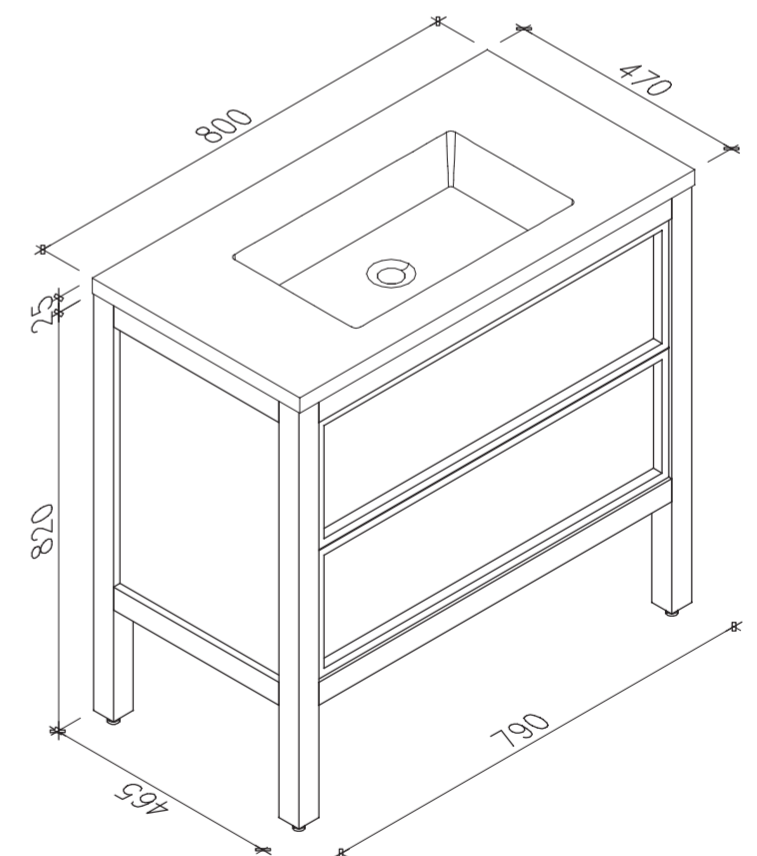
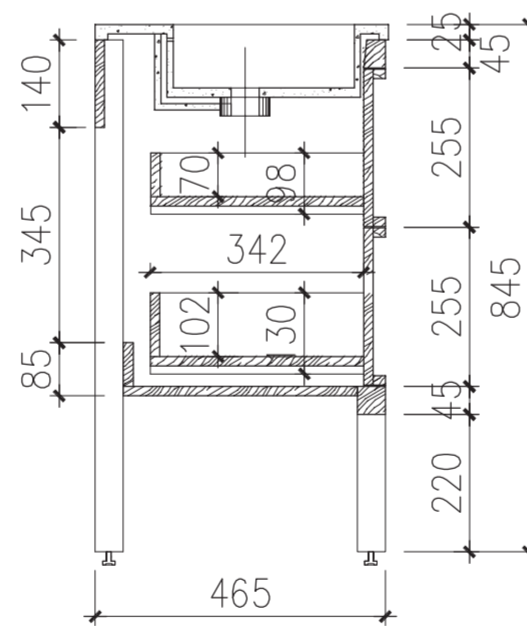
Top View



Top View - Section View



Side View - Section View



<h1>LUSO</h1> <p>S T O N E</p>	Product Name	Claridge 800
	Material	Stone Resin Basin / Wood Cabinet
	Size, mm	800 x 470 x 820

*All dimensions provided in millimeters.
All vanity units are supplied with no tap hole (s). If you require a tap hole, you will need to use a standard 38mm hole-saw drill attachment.*