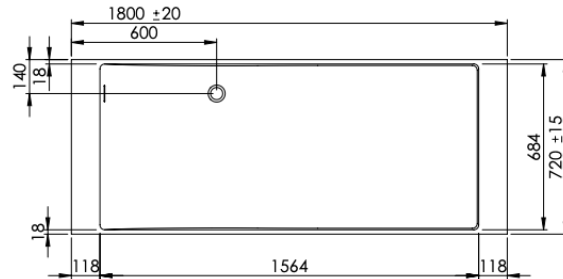
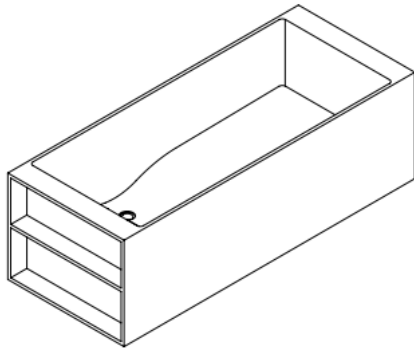


## Mensola 1800



### FEATURES

<b>BRAND:</b>	Lusso Stone
<b>TITLE:</b>	Mensola 1800
<b>ARTICLE NUMBER:</b>	LU65114
<b>COLOUR:</b>	White
<b>MATERIAL:</b>	Stone Resin
<b>AVAILABLE FINISHES:</b>	Matte
<b>CONSTRUCTION:</b>	Built in overflow
<b>PRODUCT DIMENSIONS:</b>	1800 x 700 x 570
<b>PACKAGING DIMENSIONS:</b>	1900 x 820 x 710
<b>NET WEIGHT:</b>	200kg
<b>GROSS WEIGHT (Including packaging):</b>	260kg
<b>INSTALLATION:</b>	Freestanding
<b>ACCESSORIES:</b>	Factory installed Klik Klak waste (1 ½") Flexible waste connector
<b>WATER CAPACITY TO OVERFLOW:</b>	260 Litres

FURTHER DETAILS & DIMENSIONS CAN BE FOUND AT [WWW.LUSSOSTONE.COM](http://WWW.LUSSOSTONE.COM) IN THE FEATURE SECTION AND DOWNLOADS TAB OF EACH PRODUCT PAGE.