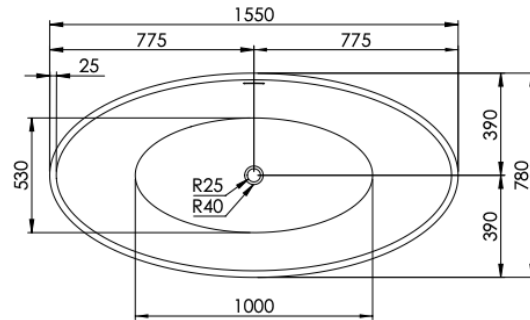
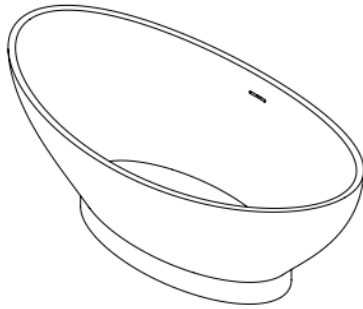


## Oasis Mini 1550



### FEATURES

|                                            |                                                                      |
|--------------------------------------------|----------------------------------------------------------------------|
| <b>BRAND:</b>                              | Lusso Stone                                                          |
| <b>TITLE:</b>                              | Oasis Mini 1550                                                      |
| <b>ARTICLE NUMBER:</b>                     | LU66205                                                              |
| <b>COLOUR:</b>                             | White                                                                |
| <b>MATERIAL:</b>                           | Stone Resin                                                          |
| <b>AVAILABLE FINISHES:</b>                 | Matte and Polished                                                   |
| <b>CONSTRUCTION:</b>                       | Built in overflow                                                    |
| <b>PRODUCT DIMENSIONS:</b>                 | 1550 x 780 x 580                                                     |
| <b>PACKAGING DIMENSIONS:</b>               | 1650 x 880 x 740                                                     |
| <b>NET WEIGHT:</b>                         | 110kg                                                                |
| <b>GROSS WEIGHT (Including packaging):</b> | 145kg                                                                |
| <b>INSTALLATION:</b>                       | Freestanding                                                         |
| <b>ACCESSORIES:</b>                        | Factory installed Klik Klak waste (1 ½")<br>Flexible waste connector |
| <b>WATER CAPACITY TO OVERFLOW:</b>         | 260 Litres                                                           |

FURTHER DETAILS & DIMENSIONS CAN BE FOUND AT [WWW.LUSSOSTONE.COM](http://WWW.LUSSOSTONE.COM) IN THE FEATURE SECTION AND DOWNLOADS TAB OF EACH PRODUCT PAGE.