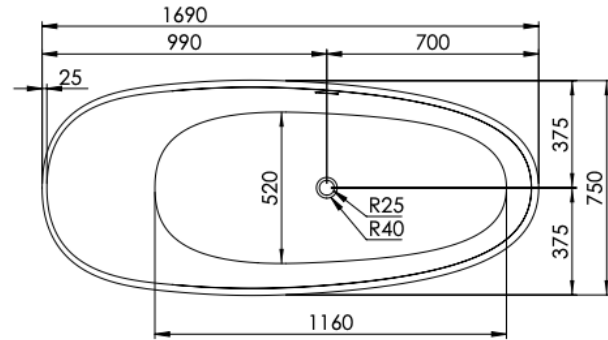
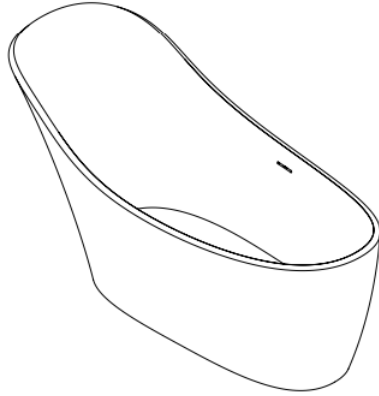


Napoli 1690



FEATURES

BRAND:	Lusso Stone
TITLE:	Napoli
ARTICLE NUMBER:	LU6613
COLOUR:	White
MATERIAL:	Stone Resin
AVAILABLE FINISHES:	Matte and Polished
CONSTRUCTION:	Built in overflow
PRODUCT DIMENSIONS:	1690 x 750 x 880
PACKAGING DIMENSIONS:	1790 x 850 x 1050
NET WEIGHT:	160kg
GROSS WEIGHT (Including packaging):	200kg
INSTALLATION:	Freestanding
ACCESSORIES:	Factory installed Klik Klak waste (1 ½") Flexible waste connector
WATER CAPACITY TO OVERFLOW:	320 Litres

FURTHER DETAILS & DIMENSIONS CAN BE FOUND AT WWW.LUSSOSTONE.COM IN THE FEATURE SECTION AND DOWNLOADS TAB OF EACH PRODUCT PAGE.