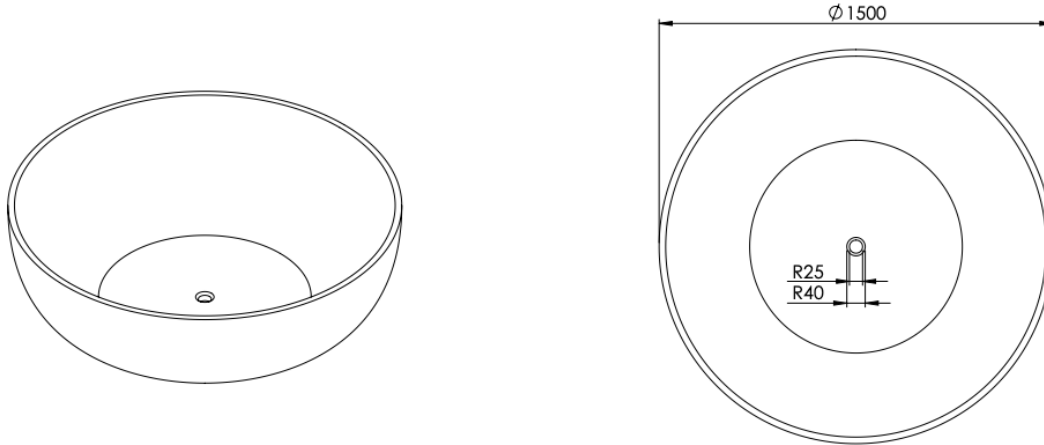


Notion 1500



FEATURES

BRAND:	Lusso Stone
TITLE:	Notion 1500
ARTICLE NUMBER:	LU66105
COLOUR:	White
MATERIAL:	Stone Resin
AVAILABLE FINISHES:	Matte and Polished
CONSTRUCTION:	Built in overflow
PRODUCT DIMENSIONS:	1500 x 520
PACKAGING DIMENSIONS:	1600 x 1600 x 680
NET WEIGHT:	150kg
GROSS WEIGHT (Including packaging):	190kg
INSTALLATION:	Freestanding
ACCESSORIES:	Factory installed Klik Klak waste (1 ½") Flexible waste connector
WATER CAPACITY TO OVERFLOW:	420 Litres

FURTHER DETAILS & DIMENSIONS CAN BE FOUND AT WWW.LUSSOSTONE.COM IN THE FEATURE SECTION AND DOWNLOADS TAB OF EACH PRODUCT PAGE.