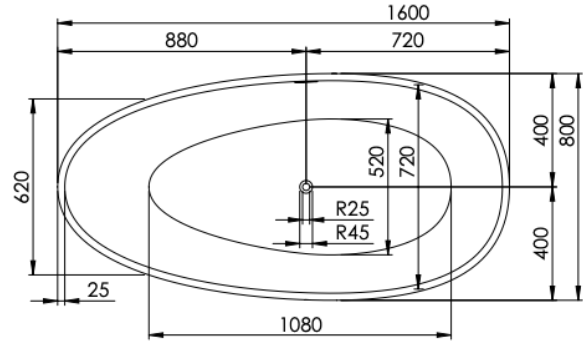
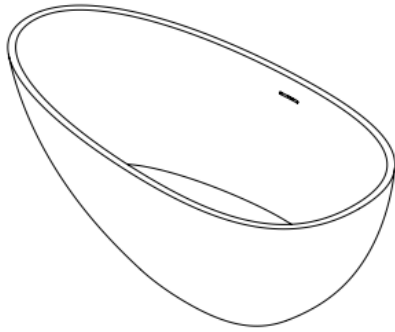


Egg Shell 1600



FEATURES

BRAND:	Lusso Stone
TITLE:	Egg Shell Mini 1600
ARTICLE NUMBER:	LU86086
COLOUR:	White
MATERIAL:	Stone Resin
AVAILABLE FINISHES:	Matte and Polished
CONSTRUCTION:	Built in overflow
PRODUCT DIMENSIONS:	1600 x 800 x 540
PACKAGING DIMENSIONS:	1700 x 860 x 700
NET WEIGHT:	130kg
GROSS WEIGHT (Including packaging):	170kg
INSTALLATION:	Freestanding
ACCESSORIES:	Factory installed Klik Klak waste (1 ½") Flexible waste connector
WATER CAPACITY TO OVERFLOW:	270 Litres

FURTHER DETAILS & DIMENSIONS CAN BE FOUND AT WWW.LUSSOSTONE.COM IN THE FEATURE SECTION AND DOWNLOADS TAB OF EACH PRODUCT PAGE.