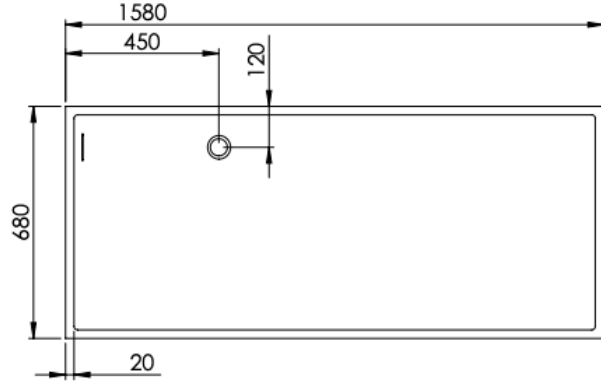
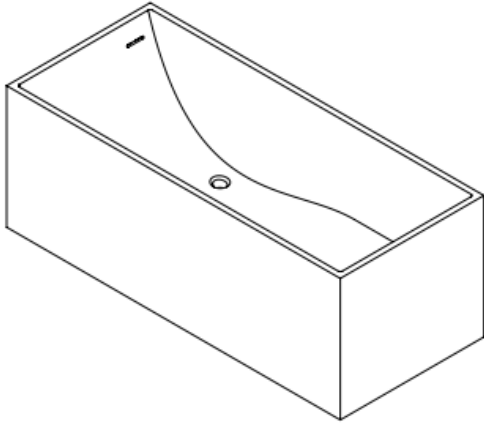


Ethos Mini 1580



FEATURES

BRAND:	Lusso Stone
TITLE:	Ethos Mini 1580
ARTICLE NUMBER:	LU6607A
COLOUR:	White
MATERIAL:	Stone Resin
AVAILABLE FINISHES:	Matte and Polished
CONSTRUCTION:	Built in overflow
PRODUCT DIMENSIONS:	1580 x 680 x 580
PACKAGING DIMENSIONS:	1680 x 780 x 740
NET WEIGHT:	162kg
GROSS WEIGHT (Including packaging):	200kg
INSTALLATION:	Freestanding / Back to wall
ACCESSORIES:	Factory installed Klik Klak waste (1 ½") Flexible waste connector
WATER CAPACITY TO OVERFLOW:	270 Litres

FURTHER DETAILS & DIMENSIONS CAN BE FOUND AT WWW.LUSSOSTONE.COM IN THE FEATURE SECTION AND DOWNLOADS TAB OF EACH PRODUCT PAGE.