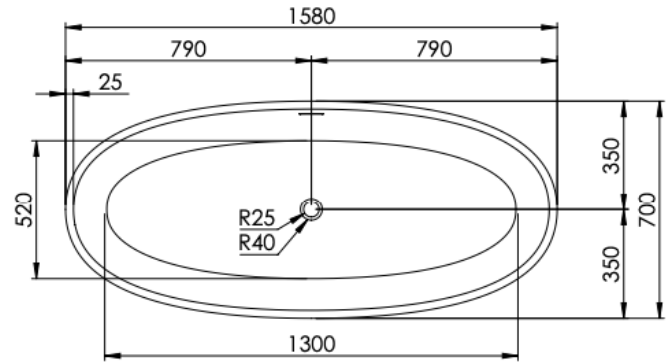
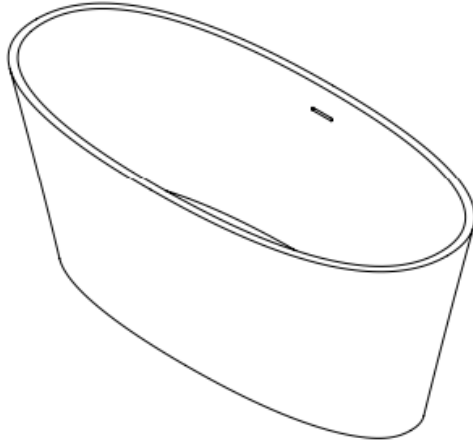


## Oval 1580



### FEATURES

<b>BRAND:</b>	Lusso Stone
<b>TITLE:</b>	Oval
<b>ARTICLE NUMBER:</b>	LU6602
<b>COLOUR:</b>	White
<b>MATERIAL:</b>	Stone Resin
<b>AVAILABLE FINISHES:</b>	Matte and Polished
<b>CONSTRUCTION:</b>	Built in overflow
<b>PRODUCT DIMENSIONS:</b>	1580 x 700 x 650
<b>PACKAGING DIMENSIONS:</b>	1680 x 800 x 820
<b>NET WEIGHT:</b>	140kg
<b>GROSS WEIGHT (Including packaging):</b>	180kg
<b>INSTALLATION:</b>	Freestanding
<b>ACCESSORIES:</b>	Factory installed Klik Klak waste (1 ½") Flexible waste connector
<b>WATER CAPACITY TO OVERFLOW:</b>	330 Litres

FURTHER DETAILS & DIMENSIONS CAN BE FOUND AT [WWW.LUSSOSTONE.COM](http://WWW.LUSSOSTONE.COM) IN THE FEATURE SECTION AND DOWNLOADS TAB OF EACH PRODUCT PAGE.