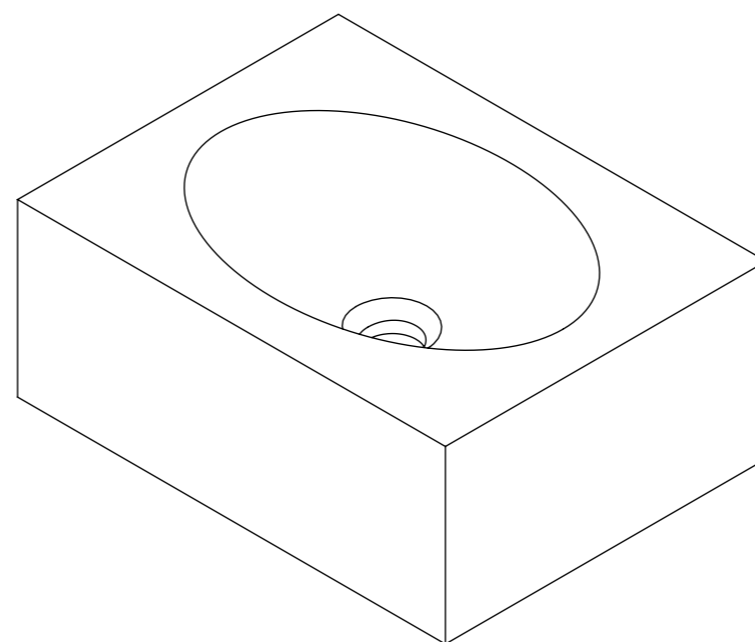
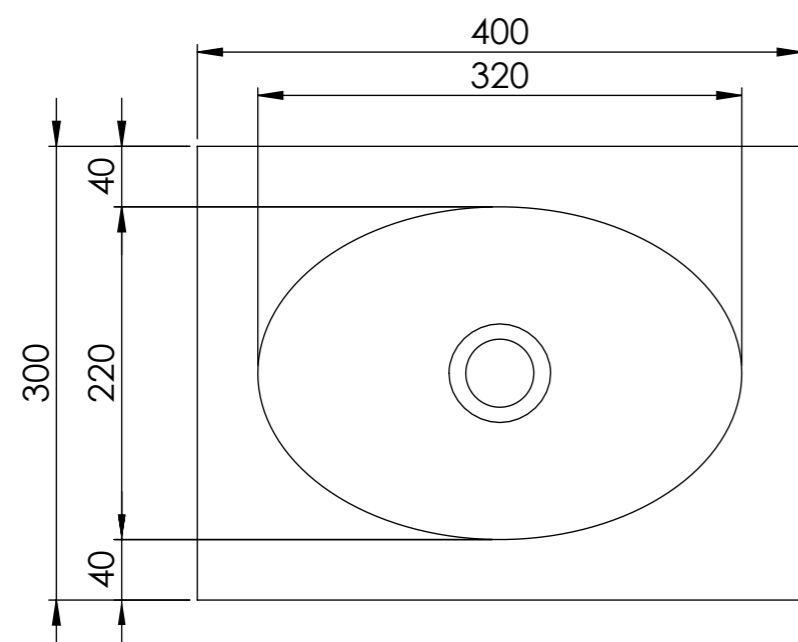
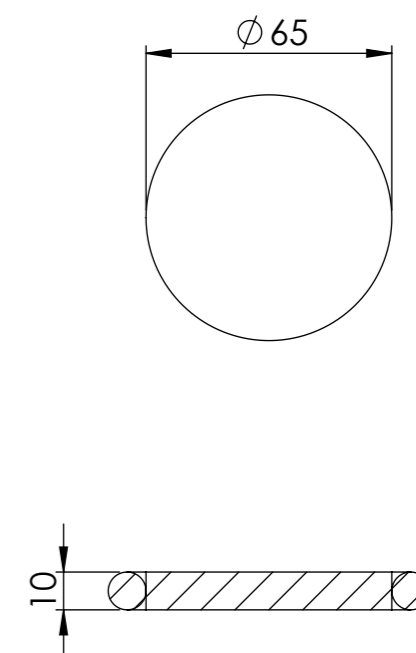


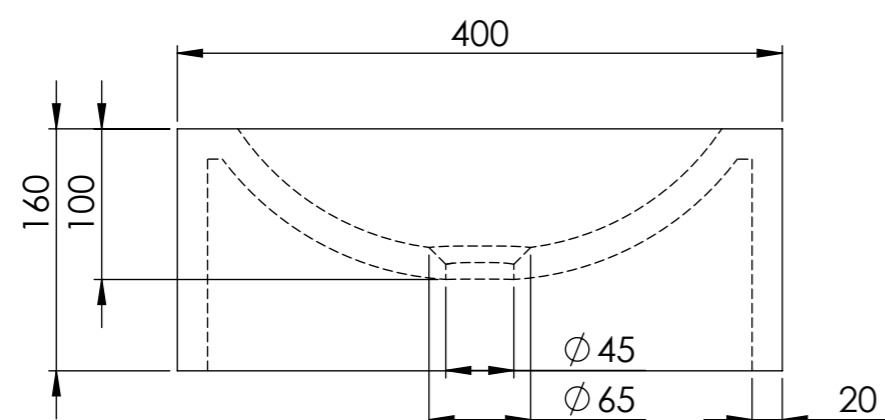
Top View



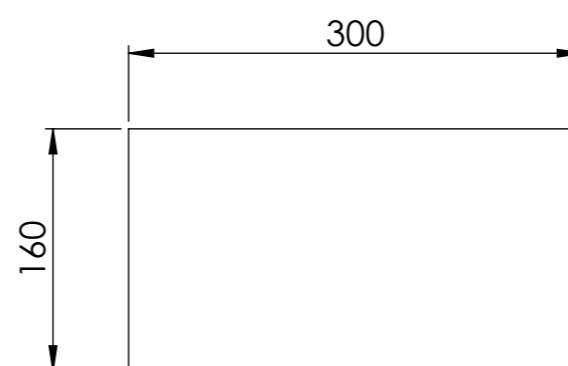
Waste Fitting



Front View - Section View



Side View



LUSO
S T O N E

| | |
|--------------|-----------------|
| Product Name | Coco Carrara |
| Weight, kg | 19 |
| Material | Marble |
| Size, mm | 400 x 300 x 160 |

All dimensions provided in mm.