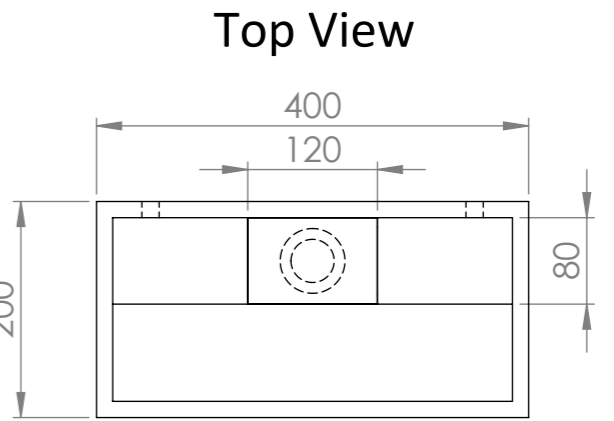
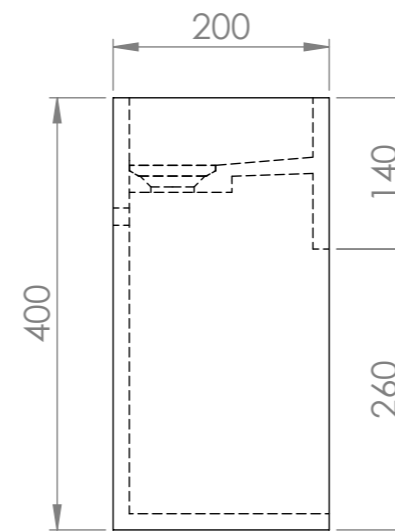
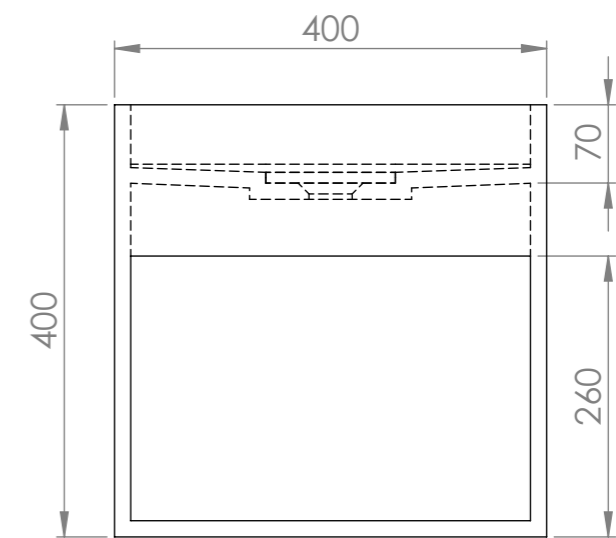


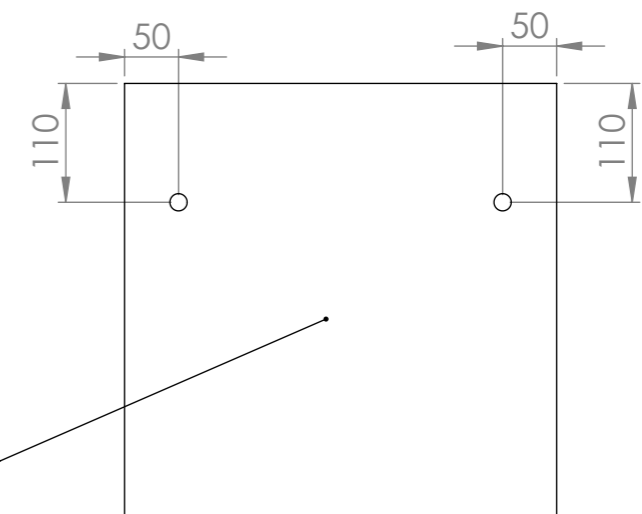
Side View - Section View



Front View - Section View



Back View



Back panel can be drilled to bring pipe work through

**LUSO**  
STONE

Product Name	Blok
Weight, kg	12
Material	Stone Resin
Size, mm	400 x 400 x 200

All dimensions provided in mm.