

LINEAR WASTE FITTING AND PLUMBING GUIDE

IMPORTANT NOTICE: Fit the waste unit exactly to the illustration below (see Figure 1). Failure to do so will result in the vortex outlet being fitted the wrong way round and water flow will be substantially restricted. The waste outlet must run to the left edge of the shower tray - See below.

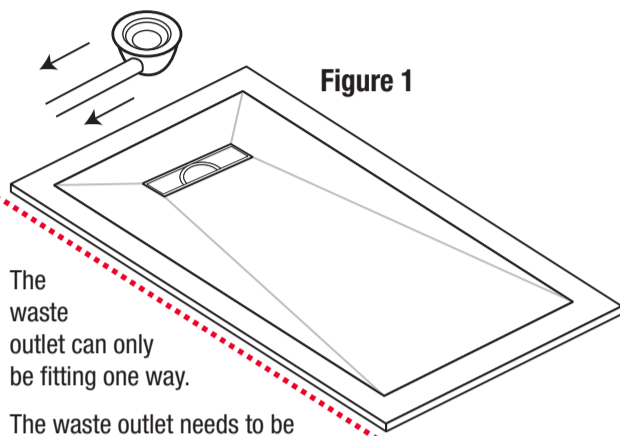


Figure 1

The waste outlet can only be fitting one way.

The waste outlet needs to be facing to the left edge of the shower tray (see dotted line of diagram).

For plumbing guide from the waste outlet see Figures 2 and 3 below.

PLUMBING GUIDE

Please read the 'Template Instructions' and the 'Important Information' below.

TEMPLATE INSTRUCTIONS

- Place the shower tray in the required position on the floor.
- Draw a line around the entire waste outlet with a pencil.
- Move the tray to a safe location to prevent accidental damage.
- Cut out the template (above right).
- Overlay the semi circle template on the drawn semi circle on the floor. Align into correct position.
- Mark the centre cross point on the floor. This will represent the centre point of the waste unit.
- With a pen or pencil, Extend line A (marked on template) onto floor for approximately 50cm. This will provide a guide for the centre point of the waste outlet pipe.
- With a pen or pencil draw around the outer edge of the template B.
- Remove the template and cut out the floor board. Ensure that the hole is not cut oversized.
- Lift floor boards and fit plumbing to the waste trap position. **NOTE:** there is a safe error margin of 15 degrees when plumbing to the waste outlet.
- If bends are required along the outlet piping, please ensure that curved connectors. (see Figure 2) and NOT straight angles (see Figure 3) as these will restrict the water flow.

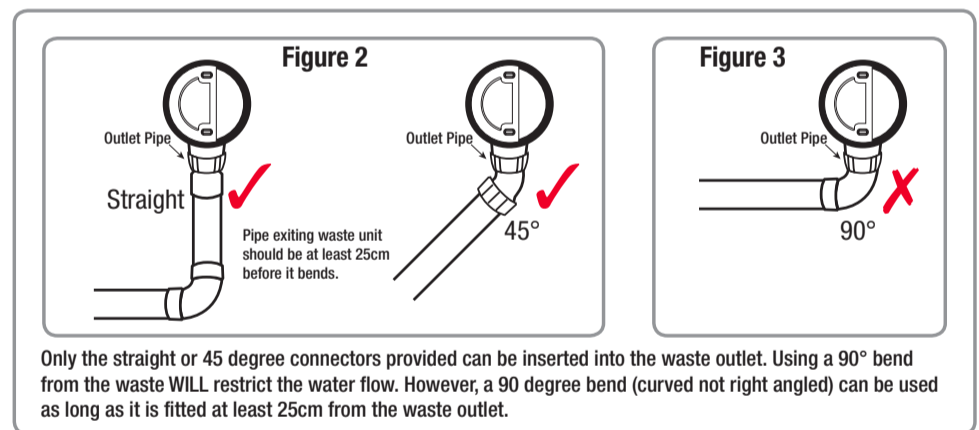
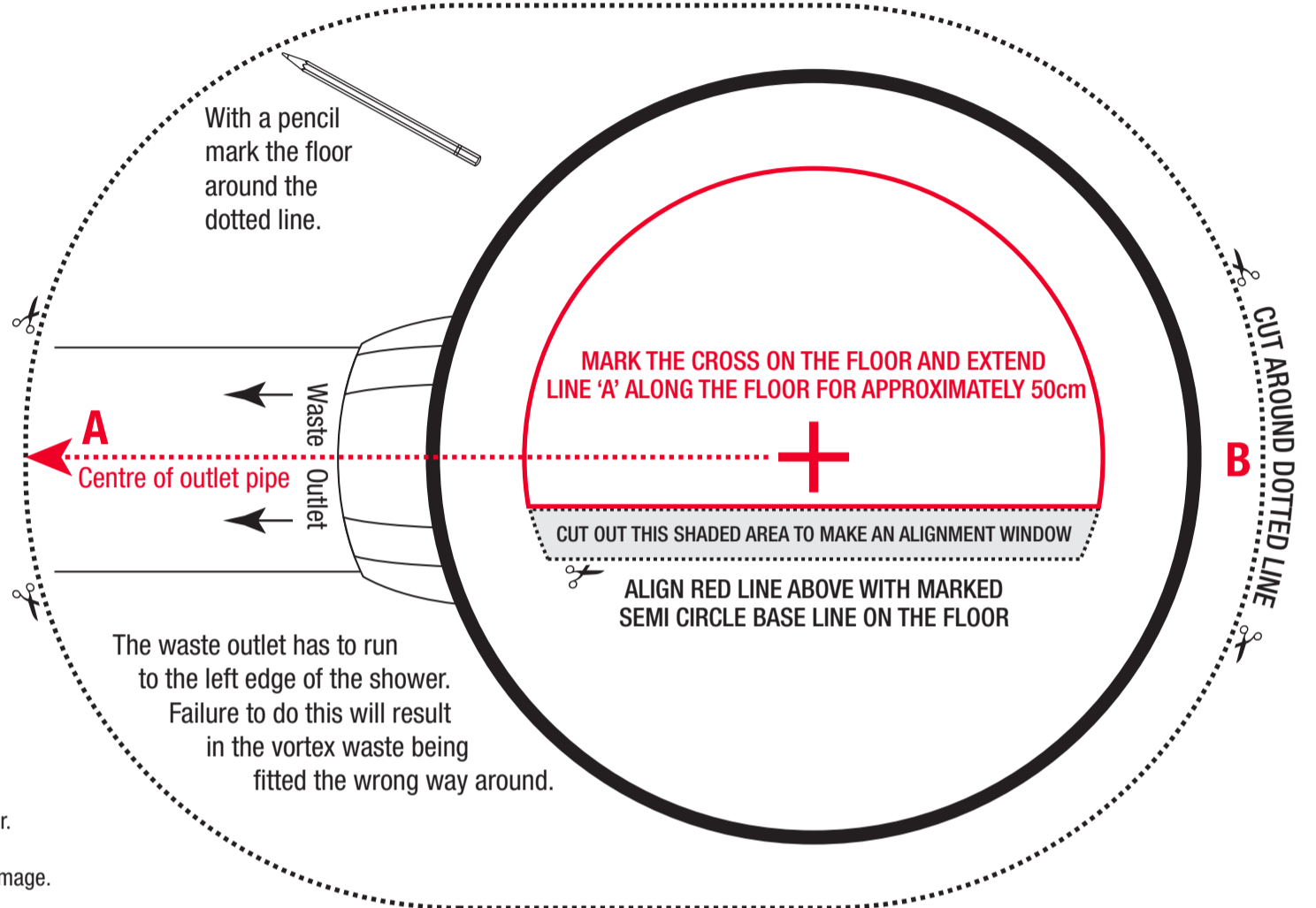
IMPORTANT INFORMATION

General

Use the template guide **ONLY** to cut out the waste area. This will ensure minimum stress to the shower tray. Failing to do so, may weaken the shower tray and cracking may appear.

Wood Floor

It is essential that all floor boards are properly secured, ensuring no movement or flex. Any joins in floor boards that are not supported by a joist must be supported by a separate noggin. Any floor boards that flex between joists **MUST** also be supported by additional noggin(s).

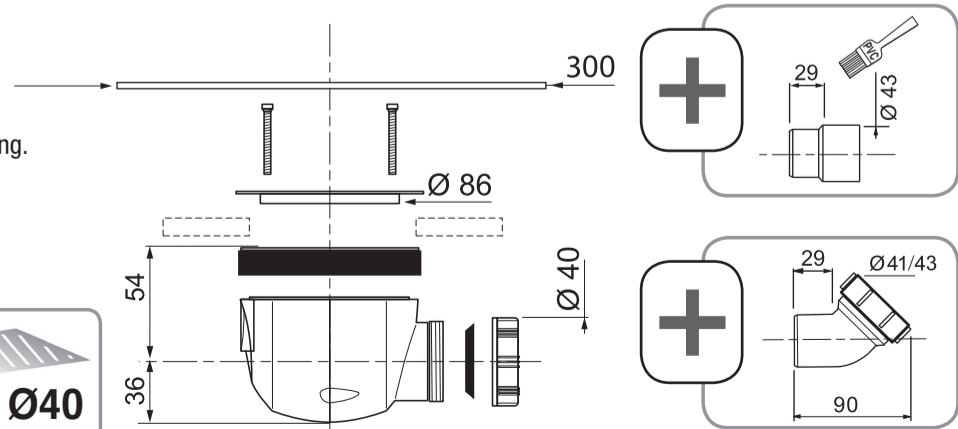
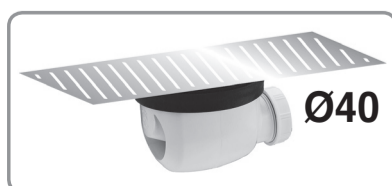


Ensure that floorboards around the waste hole are fully supported by noggins. There must be no floor movement around the cut hole.

See the fully comprehensive 'Fitting Instructions' supplied in the 'Information Pack' for detailed drawings.

WASTE UNIT INSTRUCTIONS - TM TWISTO Ø90

- Only use the waste unit provided.
- It is strongly recommended that a qualified plumber completes the waste unit installation and final plumbing.
- To locate waste unit, apply a seal of silicone (if required) beneath the tray waste hole and the rubber seal. Apply plastic flange and locate onto waste unit with the securing screws supplied. **IMPORTANT: DO NOT OVER-TIGHTEN NYLON WASTE FLANGE. THIS CAN CAUSE TO DAMAGE OF THE FLANGE OR THE TRAY.**
- To join waste pipe to waste unit, use either a compression fitting or solvent weld fitting as preferred (both supplied). Please note: If using solvent weld, test for leakage and seal by pouring approximately 2 litres of water into waste unit prior to final fitting.
- It is essential that the fall angle of the waste pipe is maximised. Fall must be a **MINIMUM** of 2% to ensure adequate water flow.



After using the 'Template Instructions' (above), please cut out these 'Waste Unit Instructions' and keep with the information pack