

GLASS PANEL(S) INSTALLATION INSTRUCTIONS

Please follow the instructions properly. Failure to do so will invalidate your guarantee.
If you are unsure about any of these instructions, please contact your local retailer immediately.

IMPORTANT

Please check the appearance of the product prior to any installation.
Any defects must be returned to your local retailer before assembly.
Any claims must be made prior to the installation.
Any claims made under the terms of the guarantee must be reported to your local retailer within 21 days of the fault occurring.
Check the enclosure adjustment sizes are suitable for your installation.
Use extra care when drilling the wall to avoid hidden pipes and electric cables.

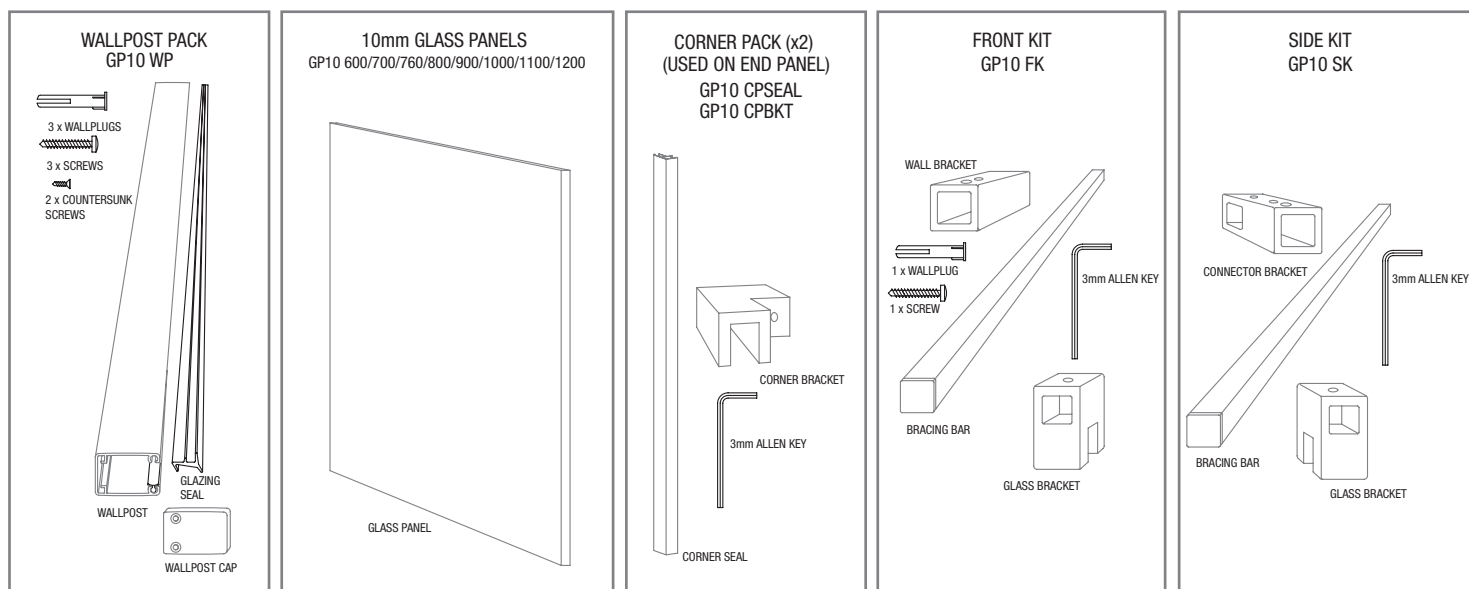
TOOLS REQUIRED

- Power Drill
- Spirit level
- Tape measure
- Pencil
- Metal saw
- Clear silicone sealant
- Sealant gun
- Pozi screwdriver
- 7mm masonry drill bit
- 8mm masonry drill bit

The fixings supplied are for a masonry wall only (other wall structures may require appropriate plugs/screws).

10mm GLASS & COMPONENTS

Please check you have all of the correct items in the pack prior to the installation. If you are missing any items please contact your local retailer.



GENERAL CLEANING

Cleaning wall posts/chrome bars - Use a mix of warm mild liquid detergent with a soft cloth or sponge on a regular basis, wash down with clean water and dry using a soft cloth.

No abrasive cleaners / abrasive sponges or strong chemicals should be used as these may damage the surfaces and will invalidate the manufacturer's guarantee.

FOR GLASS CLEANING INSTRUCTIONS - PLEASE READ CLEAN GLAZE GLASS PROTECTION SECTION BELOW.

CLEAN GLAZE GLASS PROTECTION

All glass panels benefit from a clear glass finish to help prevent the build up of lime scale and soap deposits, making cleaning an easier experience.

Maintaining a regular cleaning program will keep your glass looking like new.

Use a mild detergent or appropriate glass cleaner, avoid cleaners containing alkaline, acids or fluoride as these may attack the clean glaze surface.

DO NOT use any abrasive type material as this may damage the surface.

Use a soft cloth or sponge to clean, wash down with clean water and dry with a soft cloth / soft paper or chamois leather.

Use of a squeegee type window-cleaning blade can quicken the wipe down process, be careful not to scrape the surface should any metal be present in this product.

Failure to follow these instructions can affect your guarantee.

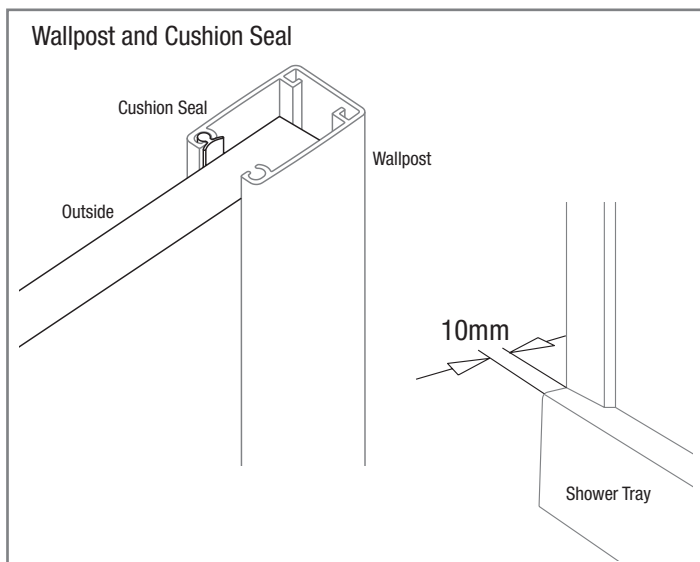


IMPORTANT: BEFORE THE INSTALLATION OF GLASS PANEL(S)

PRIOR TO FITTING THE GLASS PANEL(S), PLEASE FOLLOW THE CORRECT FITTING INSTRUCTIONS OF THE SHOWER TRAY. FAILURE TO DO SO MAY RESULT IN LEAKAGE PROBLEMS.

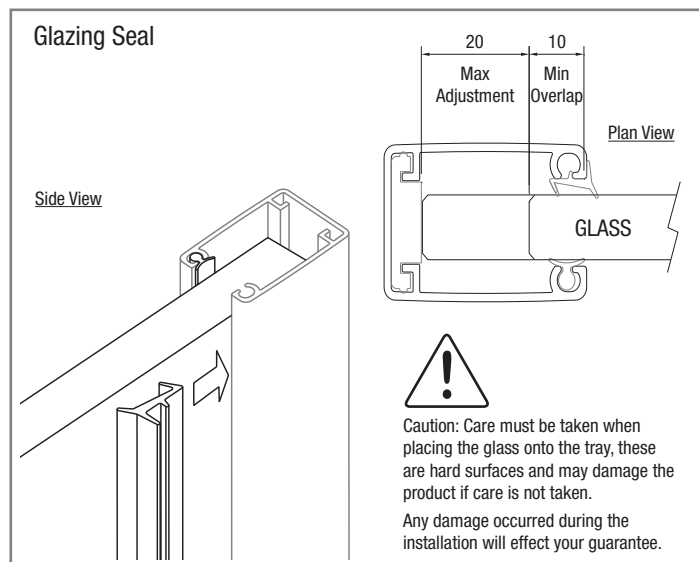
FITTING INSTALLATION

1 - WALLPOST



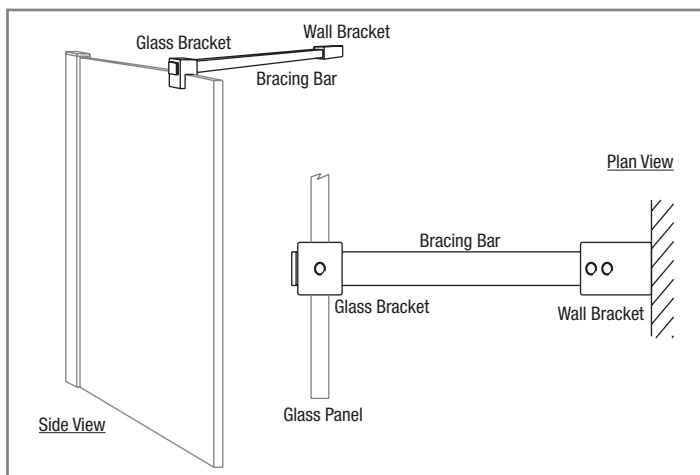
- Position wallpost 10mm in from tray edge with cushion seal on outside.
- Check vertical & mark the wall through three wallpost mouldings.
- Drill the tiles using the 7mm drill bit & fit wallplugs.
- Apply a bead of silicone full length of back of post
- Secure wallpost to wall with 3 x No.8 x 30mm screws.

2 - GLASS



- Note:** Protect the shower tray or floor as you slide glass into place.
- Follow glass label instruction to make sure glass treatment side is to the showering side.
 - Slide glass into wallpost. Make sure there is always a minimum of 10mm overlap between wallpost & glass edge (see diagram above showing max/min/glass).
 - Set glass panel parallel with shower tray front edge.
 - Wet glazing seal with water only to ease fitting and insert into wallpost to fix glass panel.

3 - FRONT PANEL KIT



- With screw to showering side secure glass bracket in position between 100 & 150mm from open end of glass.

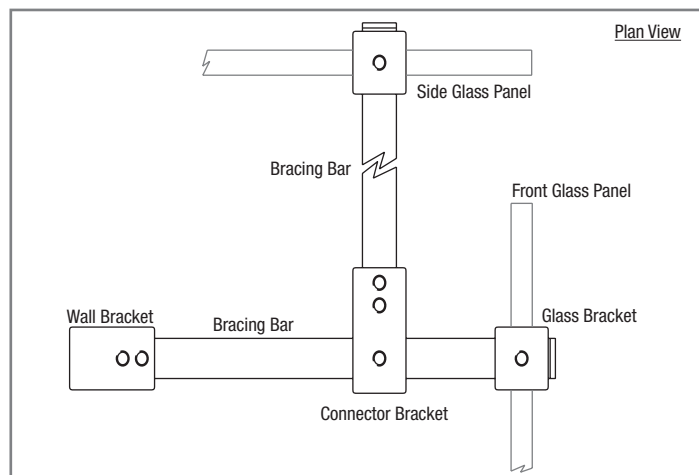
Note: Lightly nip screw only, **DO NOT** over tighten.

- Slide bracing bar through glass bracket, set horizontal & perpendicular to glass panel and mark the position of the bracing bar on the wall.
- Centrally to your mark, drill tiles using 8mm masonry bit & fit wallplug.
- Spot silicone behind wall bracket & with grub screws facing upwards fix wall bracket to wall using No.10 screw provided.

To Fit the bracing bar:

- Make sure the glass panel is vertical.
- The bracing bar must go into the wall bracket by at least 20mm so that both grub screws tighten against the bracing bar.
- Ideally, it should protrude from the front of the glass bracket by approximately 4mm.
- Measure and cut the uncapped end of the bar to length.
- Slide bracing bar in place.
- Secure using the 2 x grub screws in wall bracket & 1 x grub screw in glass bracket with 3mm allen key.

4 - SIDE PANEL AND KIT

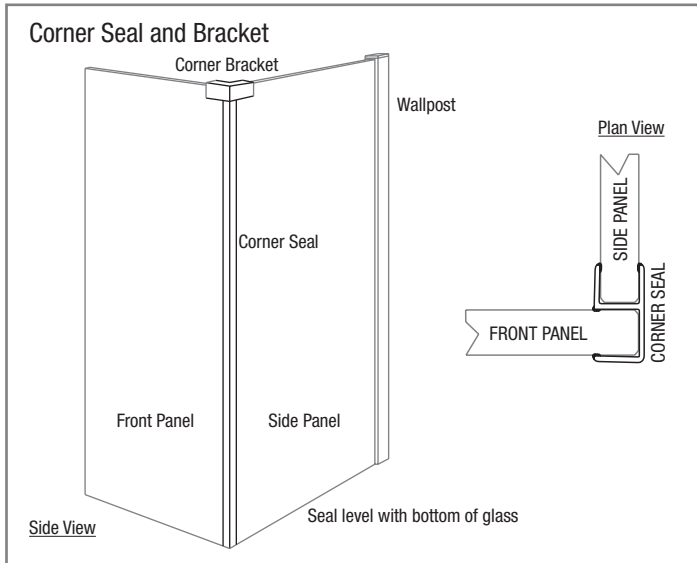


- Fit wallpost and glass as previously described.
- Position connector bracket to front kit bracing bar with screws facing upwards.
- Fit glass bracket.

Note: Lightly nip screw only, **DO NOT** over tighten.

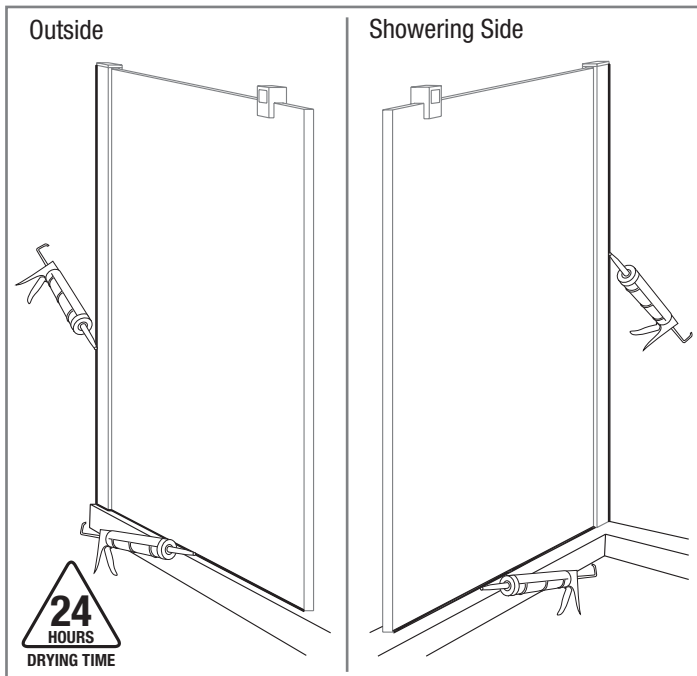
- Fit bracing bar as previously described.

5 - END PANEL



- Fit wallpost and glass 'end' panel as previously described.
- Note:** Wetting glass panel edges with water only will ease fitting of corner seal.
- Fit Corner seal to front glass panel level with bottom of glass.
- Note:** Front glass panel to front of end glass panel
- Fit front glass panel to end glass panel, make sure both glasses are fully inserted into the seal.
- Fit corner bracket and secure with 2 x screws using 3mm allen key.
- Note:** Lightly nip screw only, **DO NOT** over tighten.
- Fit front panel kit to front glass panel.

7 - SEALING THE SHOWER



Outside:

- Silicone seal wallpost to wall.
- Silicone bottom of glass panel against shower tray / floor.

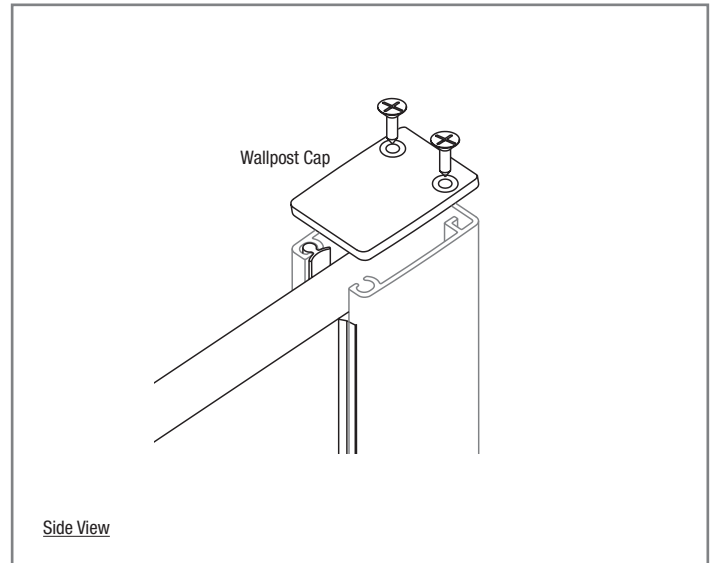
Showering side:

- Silicone seal wallpost to wall.
- Silicone bottom of glass panel against shower tray / floor.

Note: On Showering side **DO NOT** silicone seal bottom of wallpost against shower tray / floor to allow for drainage.

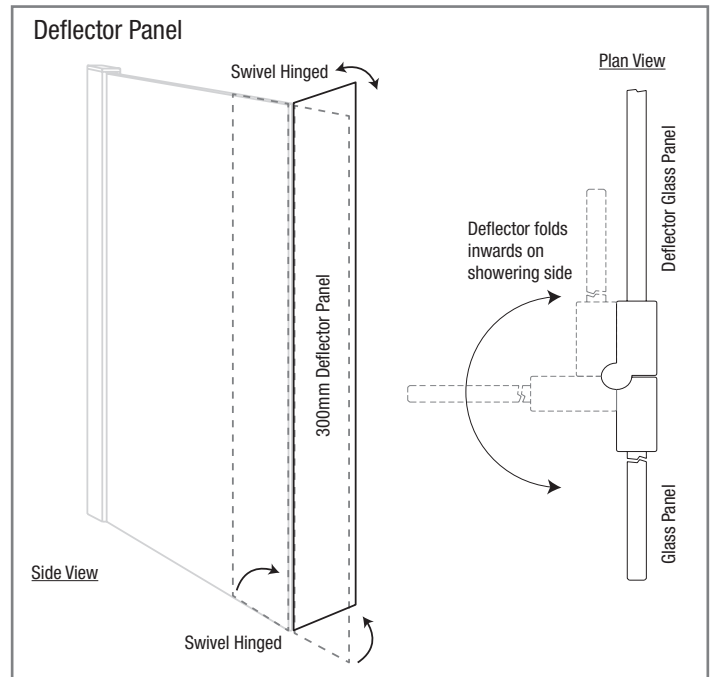
Note: Allow 24 hours for silicone to cure before use.

6 - WALLPOST CAP



Position and secure with the 2 x countersunk screws provided.

WHY NOT RETRO FIT A FUNCTIONAL DEFLECTOR PANEL?



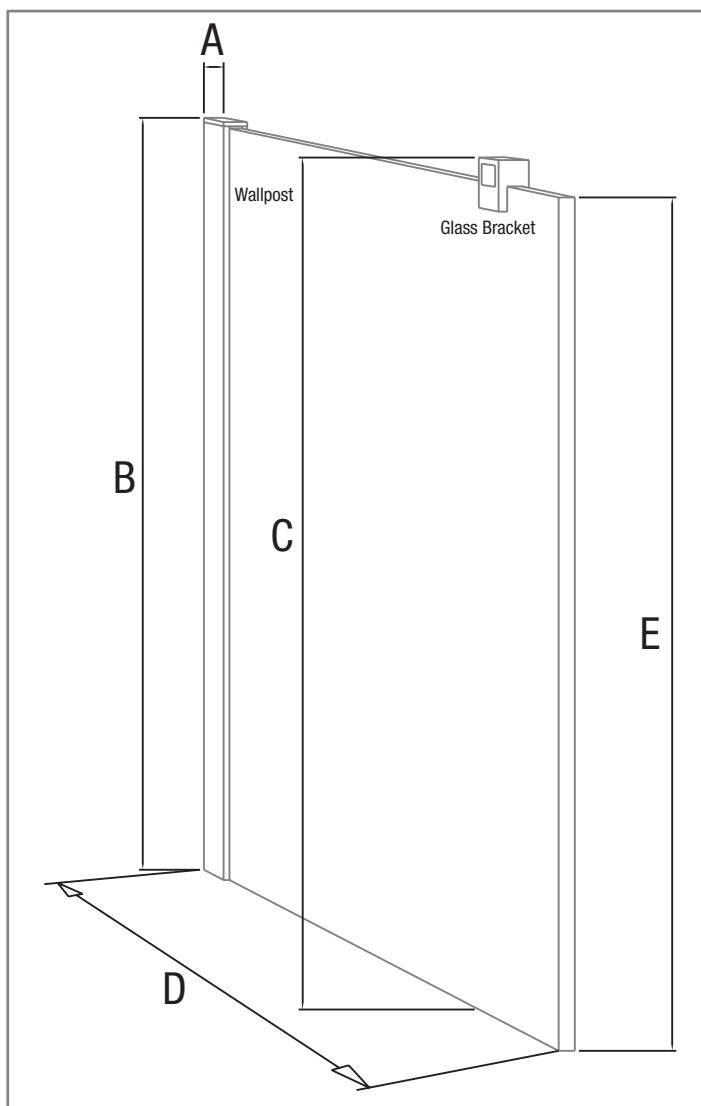
The deflector panel is a useful addition to any of our 10mm glass shower screens.

The key benefits are:

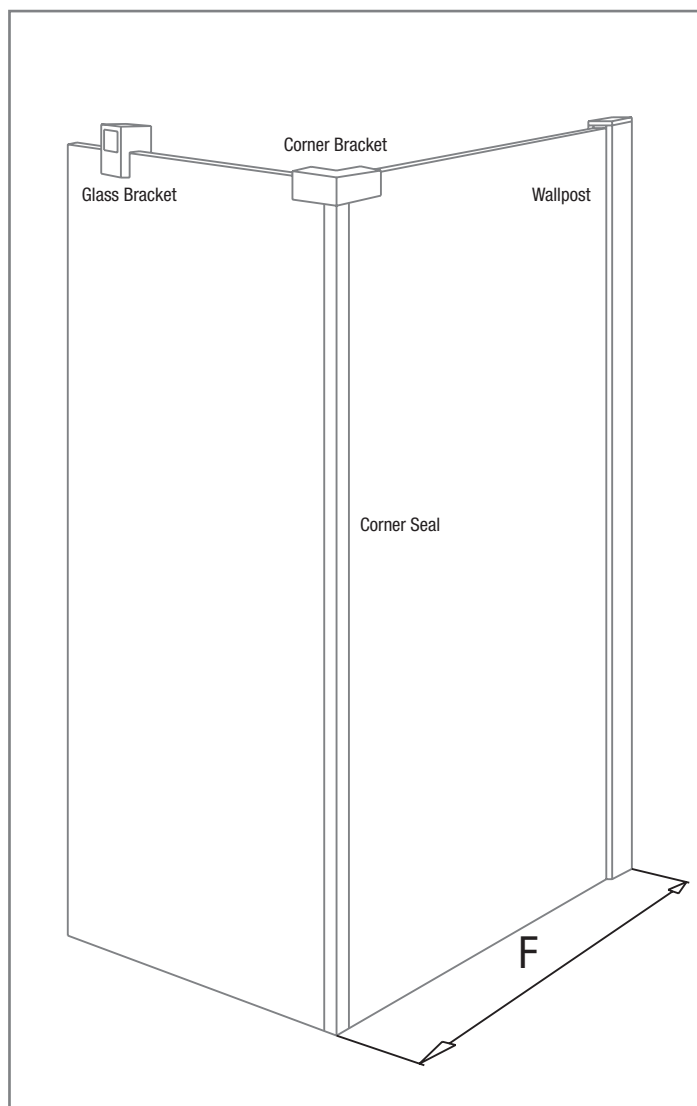
- Fit from new or retro fit.
- Easy to install, all fitting instructions included.
- Add an extra functional 300mm to your enclosure.
- The deflector panel folds inside front panel for deflection, extension or storage.
- Clean glaze glass protection
- Quality chrome plated hinges.
- Quality full length joining strip to prevent water leakage.
- Toughened safety glass.

DIMENSIONS

FRONT & SIDE PANEL



END PANEL



Product Code	Glass Width	A	B	C	D	E	F
GP10 600	550	24	2030	2050	557-577	2020	572-592
GP10 700	650	24	2030	2050	657-677	2020	672-692
GP10 760	710	24	2030	2050	717-737	2020	732-752
GP10 800	750	24	2030	2050	757-777	2020	772-792
GP10 900	850	24	2030	2050	857-877	2020	872-892
GP10 1000	950	24	2030	2050	957-977	2020	972-992
GP10 1100	1050	24	2030	2050	1057-1077	2020	1072-1092
GP10 1200	1150	24	2030	2050	1157-1177	2020	1172-1192

All panels can be installed to give left or right hand access.

Both front & side kit come with a 1000mm long support bar. A 1500mm long support bar can be purchased as an additional item.

Follow glass label instruction to make sure glass treatment side is to the showering side.



IMPORTANT: HEALTH & SAFETY WARNING

DUE TO THE WEIGHT AND SIZE OF THE 10mm GLASS PANEL(S).

A MINIMUM OF TWO PEOPLE ARE REQUIRED TO MOVE AND INSTALL THE ENCLOSURE.