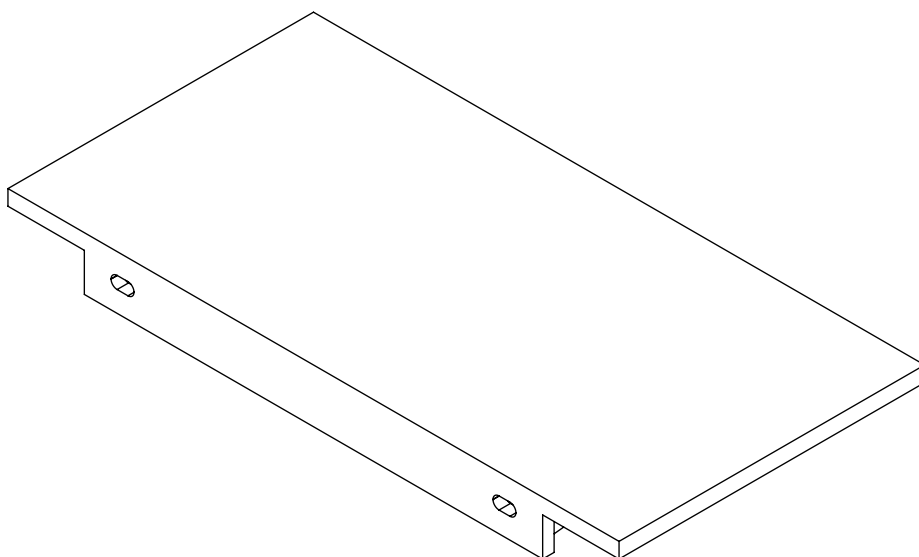
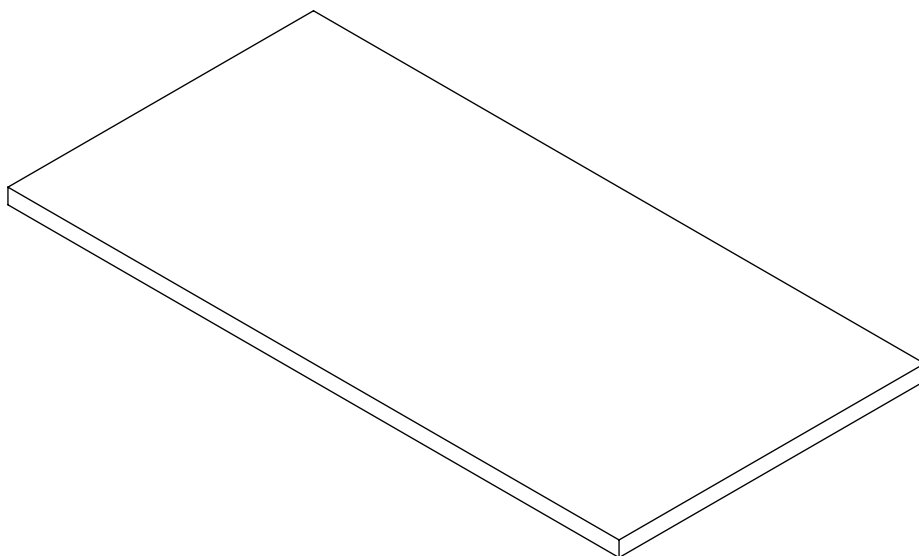


Shelf 660

Assembly Instructions

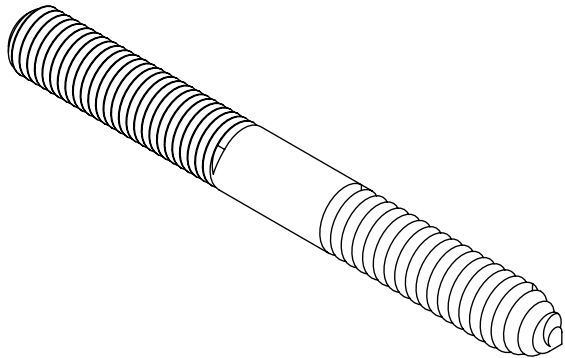


LUSSO
S T O N E

Components

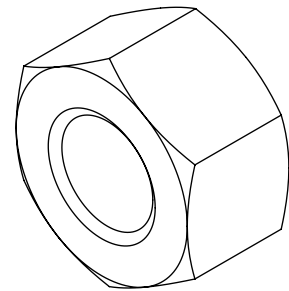
LUSSO
S T O N E

Bolt



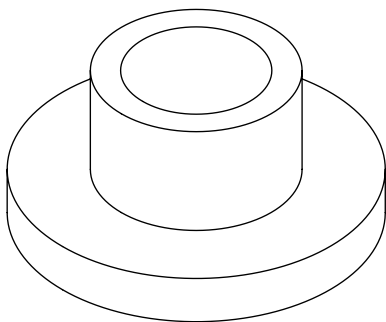
Amount: 2

Nut



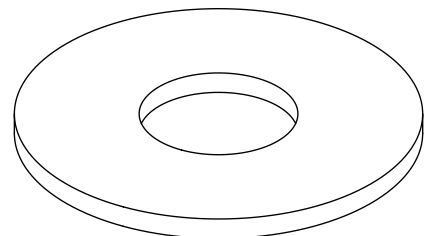
Amount: 2

Plastic Grommet



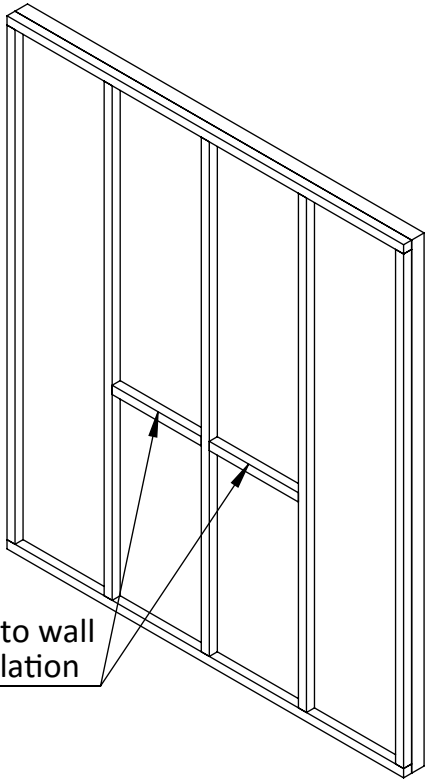
Amount: 2

Metal Washer



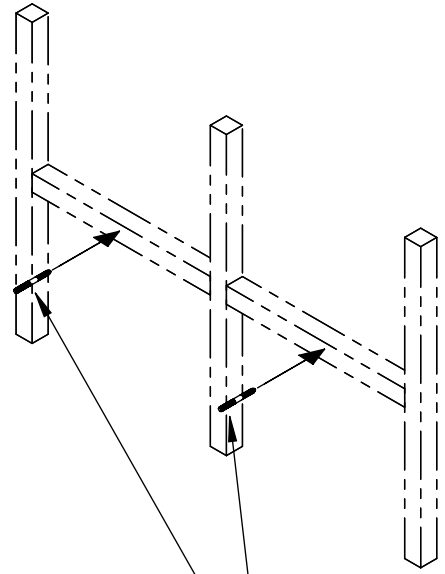
Amount: 2

<1>



Add battens to wall before installation

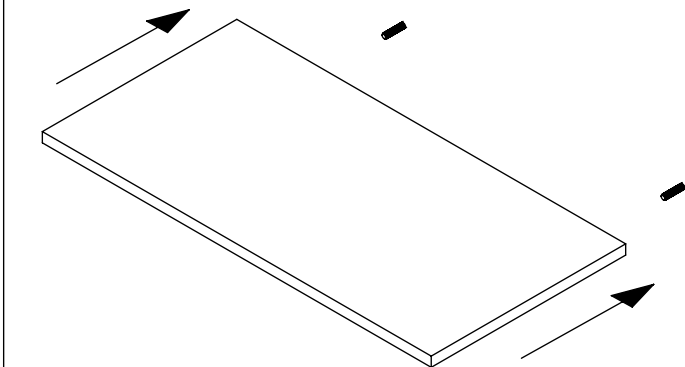
<2>



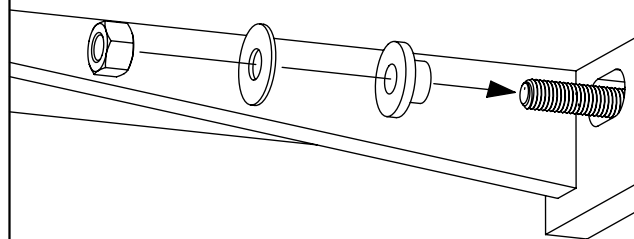
Add bolts to plasterboard

Note: Product can be mounted on both concrete or timber-framed walls.

<3>

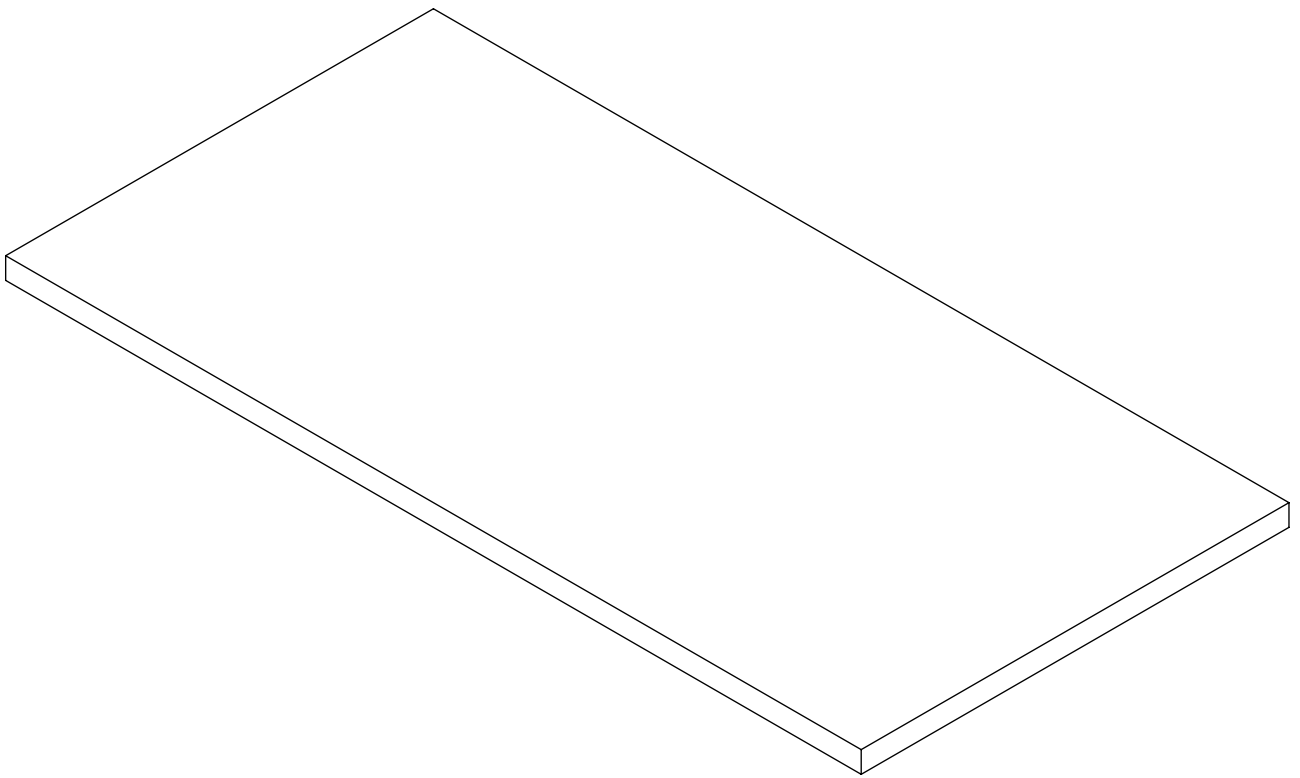


<4>



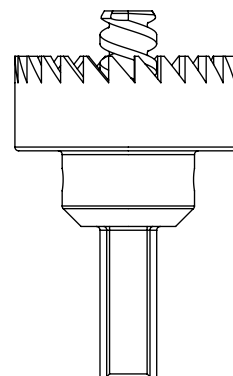
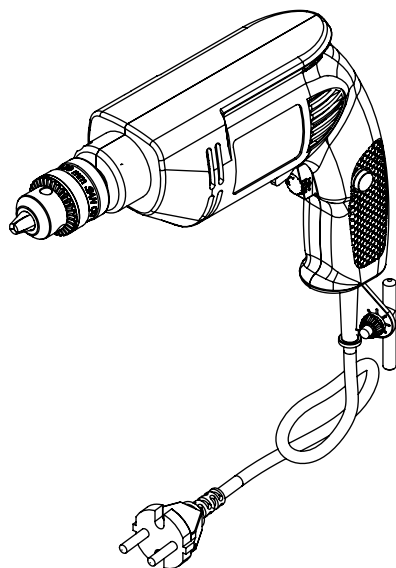
LUSSO
S T O N E

Assembly Complete



LUSSO
S T O N E

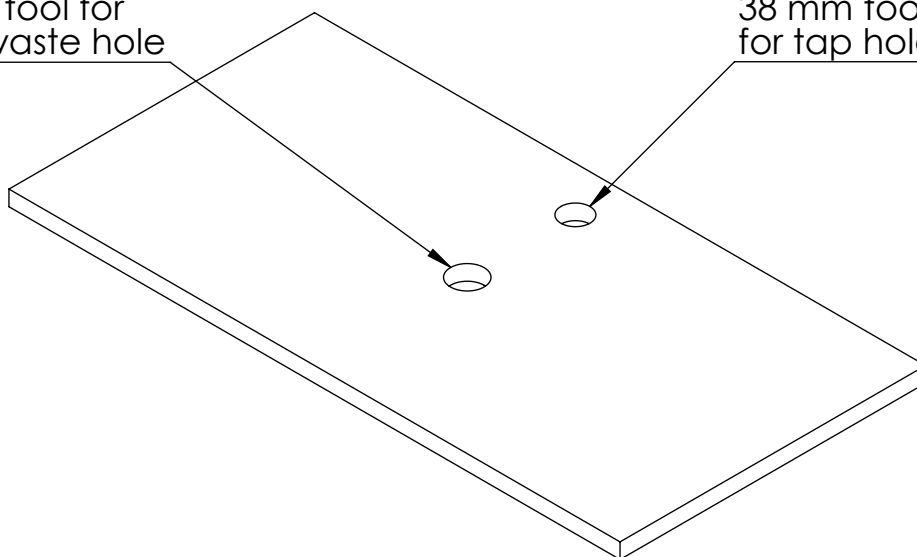
Holes for basin waste and tap can be added using standard hand drill and a hole cutting tool.



Recomended Hole Cutting Tool Sizes

44 mm tool for
basin waste hole

38 mm tool
for tap hole



LUSSO
S T O N E