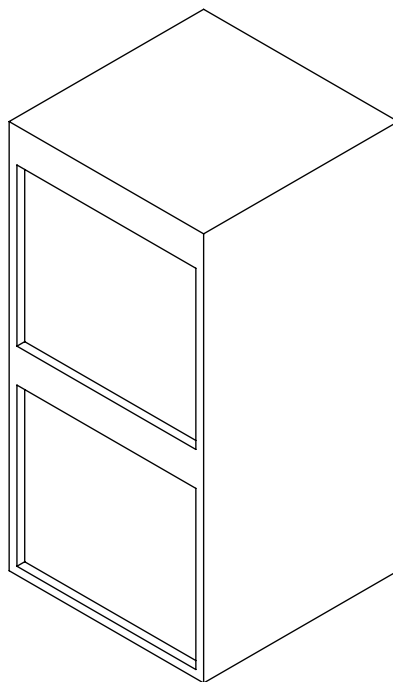
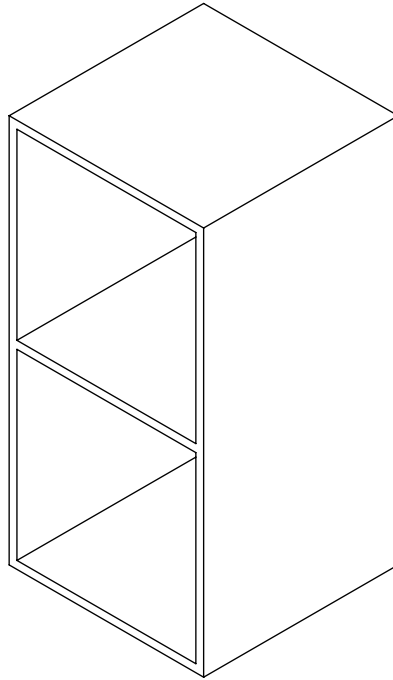


Ethos Cabinet 600

Assembly Instructions

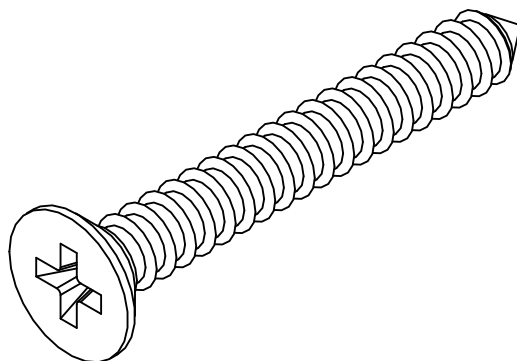


LUSSO
S T O N E

Components

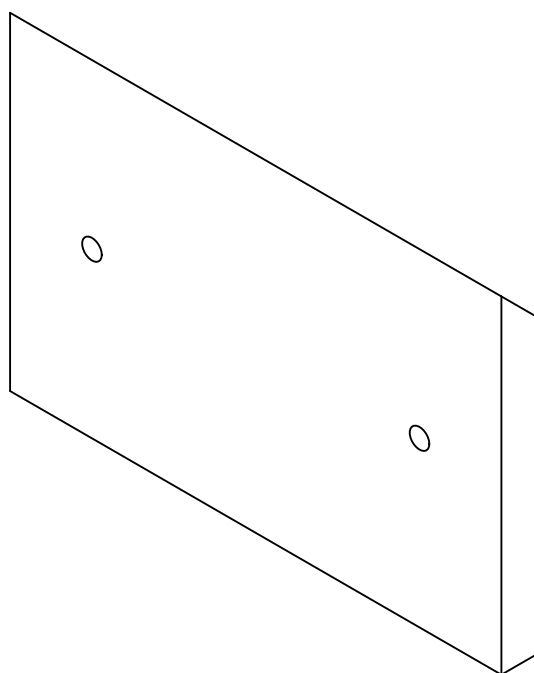
LUSSO
S T O N E

Bolt



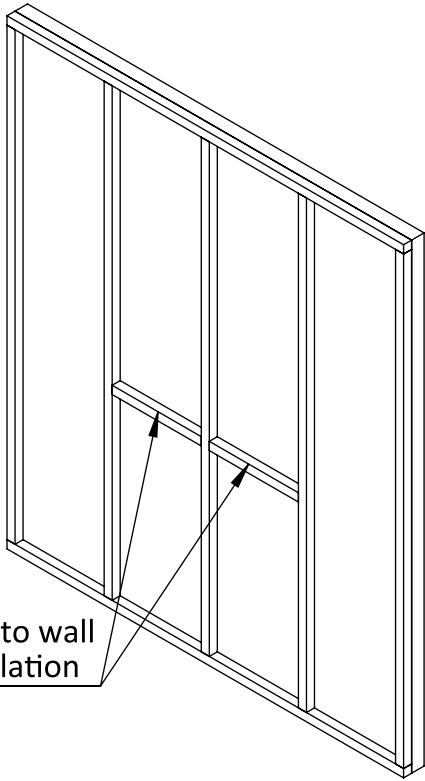
Amount: 2

Mounting Plate



Amount: 1

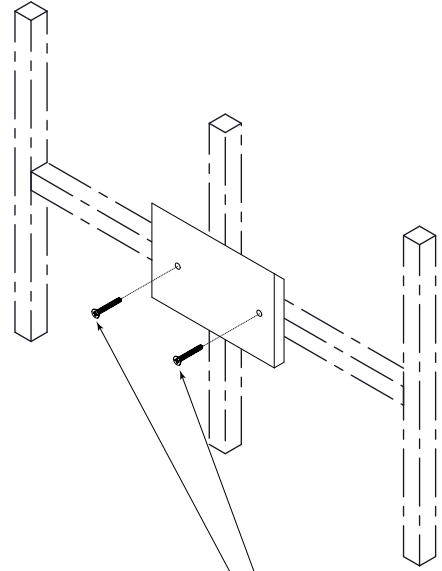
<1>



Add battens to wall
before installation

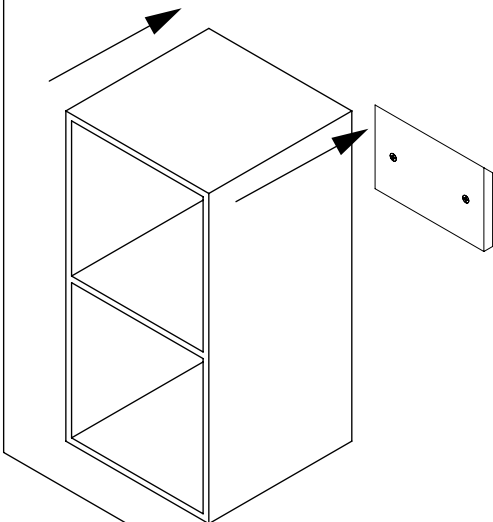
Note: Product can be mounted on
both concrete or timber-framed walls.

<2>

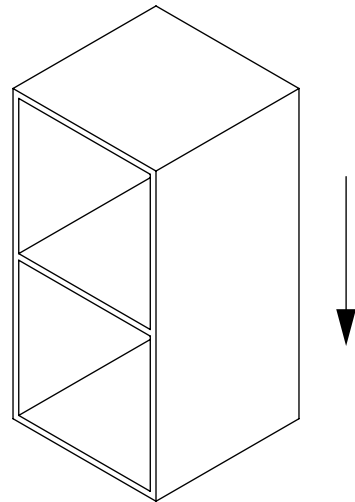


Add bolts to
mounting plate

<3>

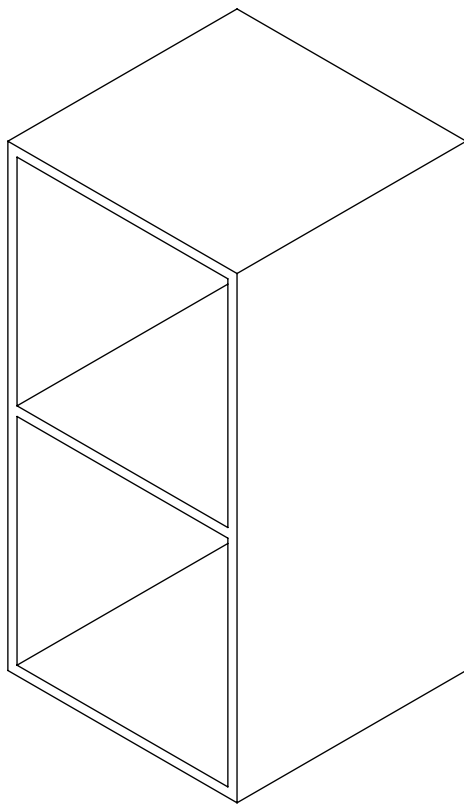


<4>



LUSSO
S T O N E

Assembly Complete



LUSSO
S T O N E