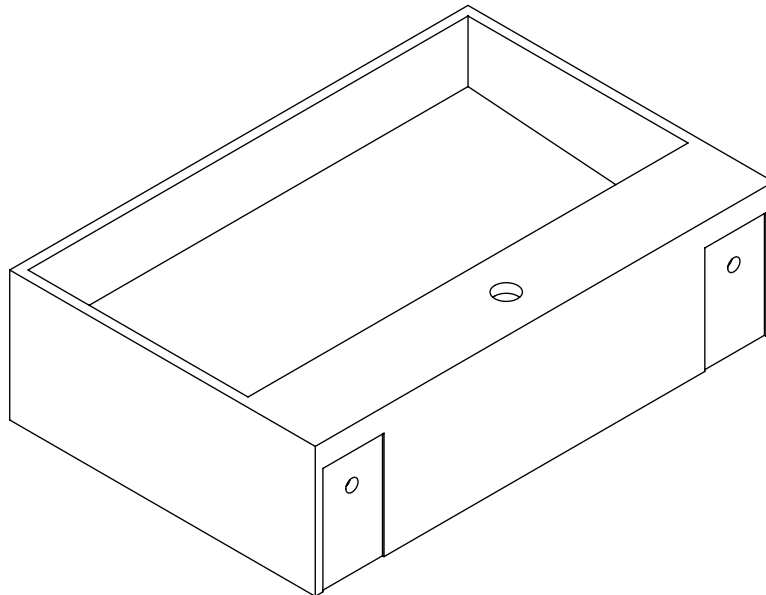
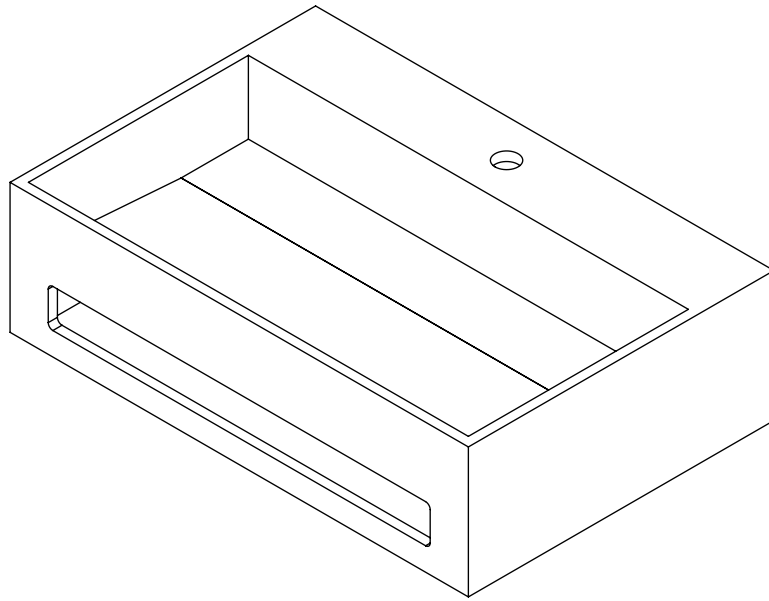


Ethos Flow

Assembly Instructions

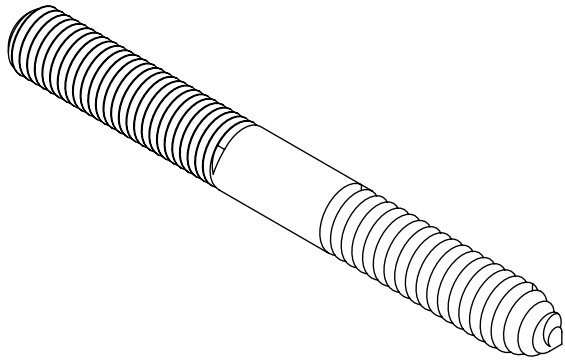


LUSSO
S T O N E

Components

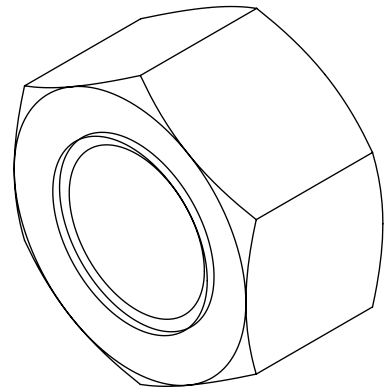
LUSSO
S T O N E

Bolt



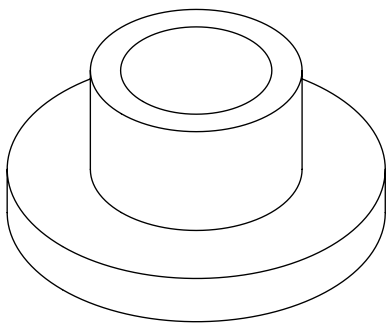
Amount: 2

Nut



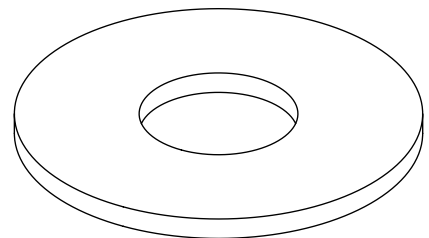
Amount: 2

Plastic Grommet



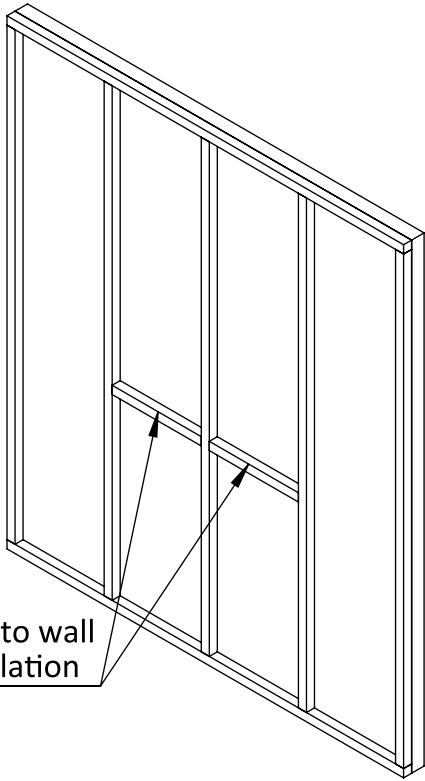
Amount: 2

Metal Washer



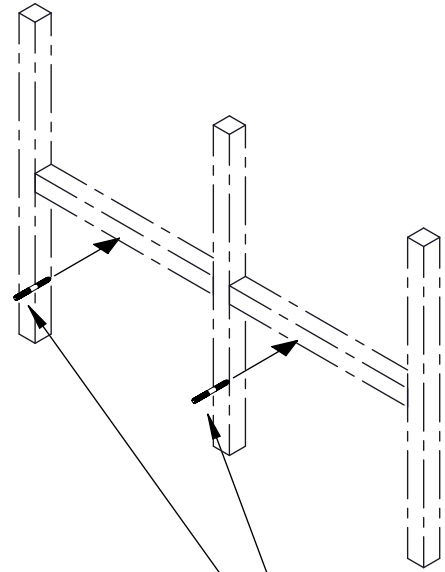
Amount: 2

<1>



Add battens to wall
before installation

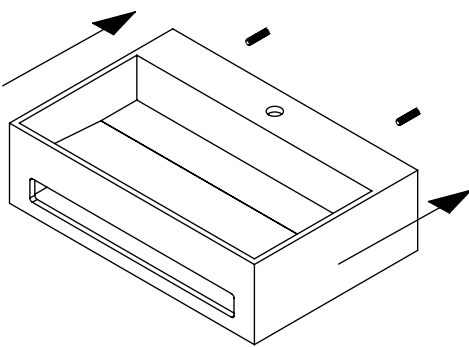
<2>



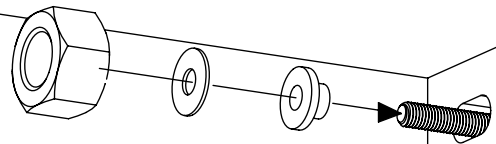
Add bolts to
plasterboard

Note: Product can be mounted on
both concrete or timber-framed walls.

<3>

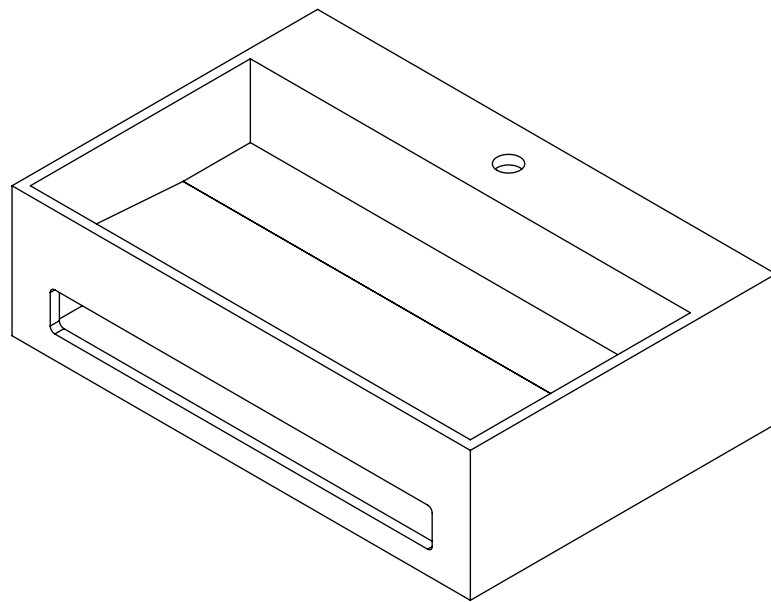


<4>



LUSSO
S T O N E

Assembly Complete



LUSO
S T O N E