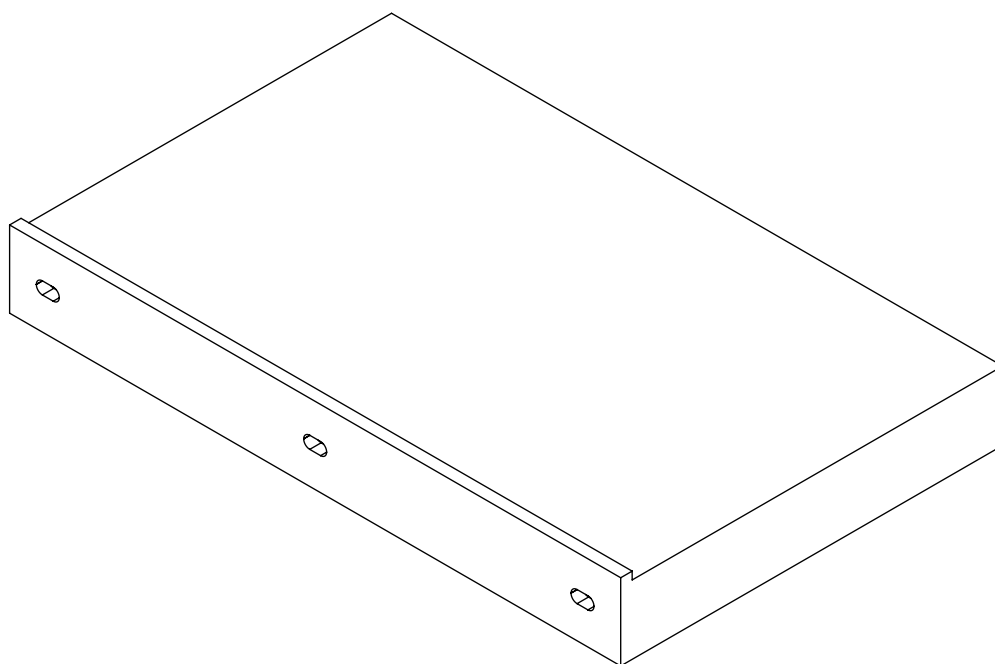
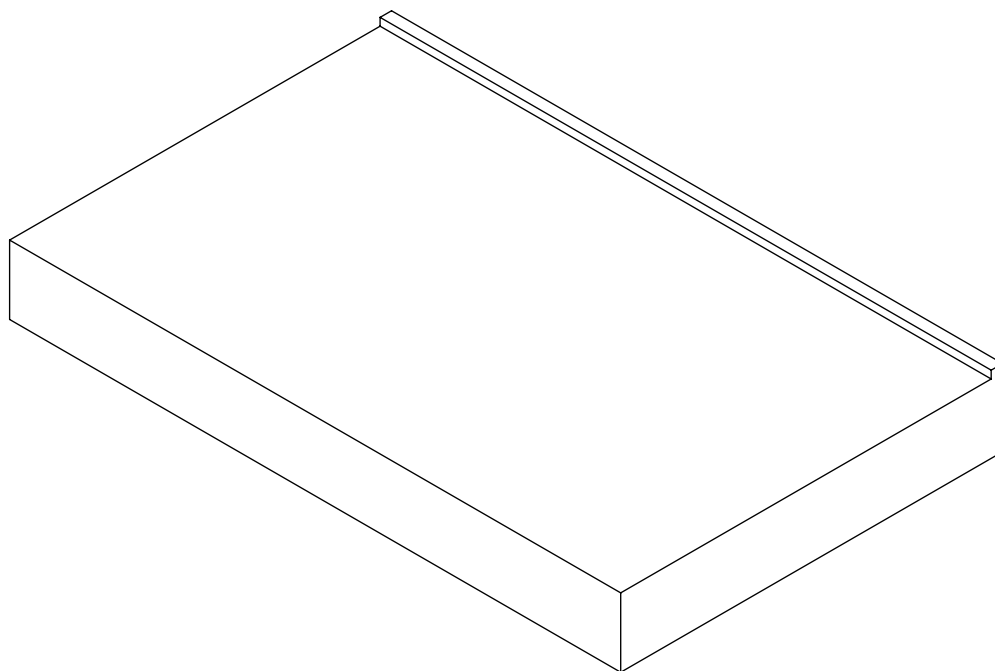


Counter Top 800

Assembly Instructions

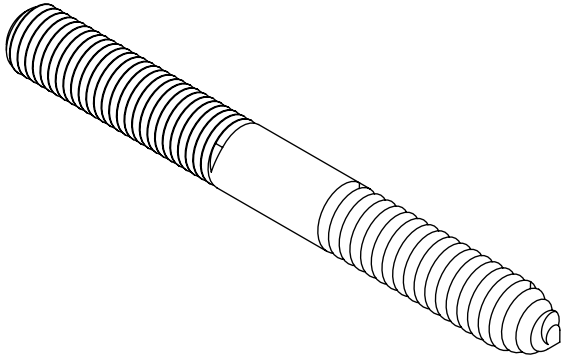


MILANO
S T O N E

Components

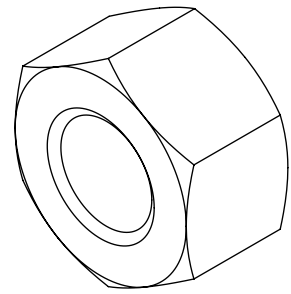
MILANO
S T O N E

Bolt



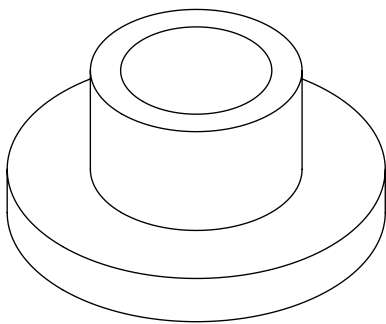
Amount: 3

Nut



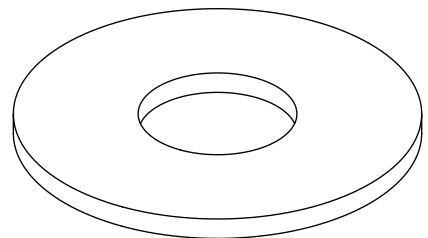
Amount: 3

Plastic Grommet



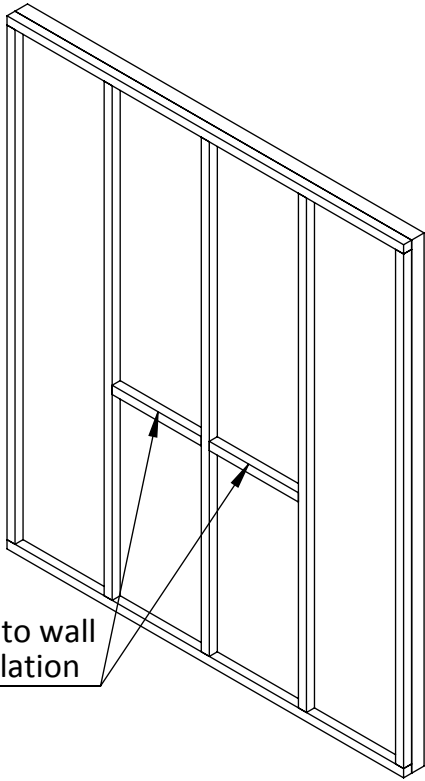
Amount: 3

Metal Washer



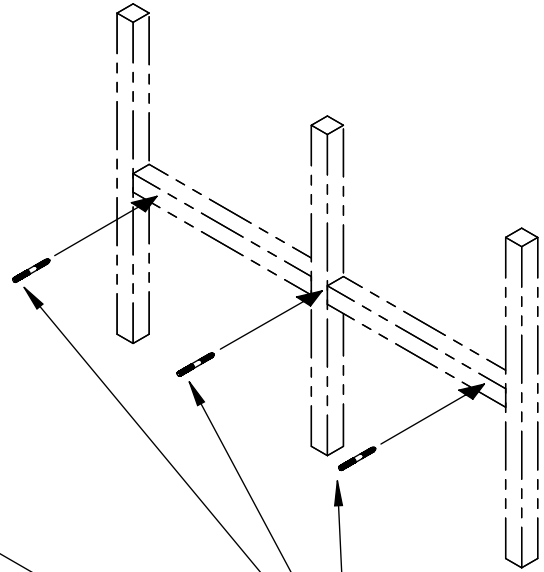
Amount: 3

<1>



Add battens to wall
before installation

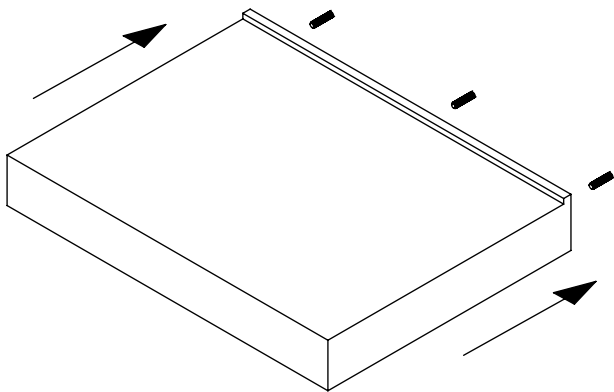
<2>



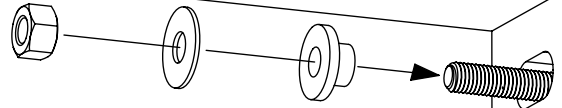
Add bolts to
plasterboard

Note: Product can be mounted on
both concrete or timber-framed walls.

<3>

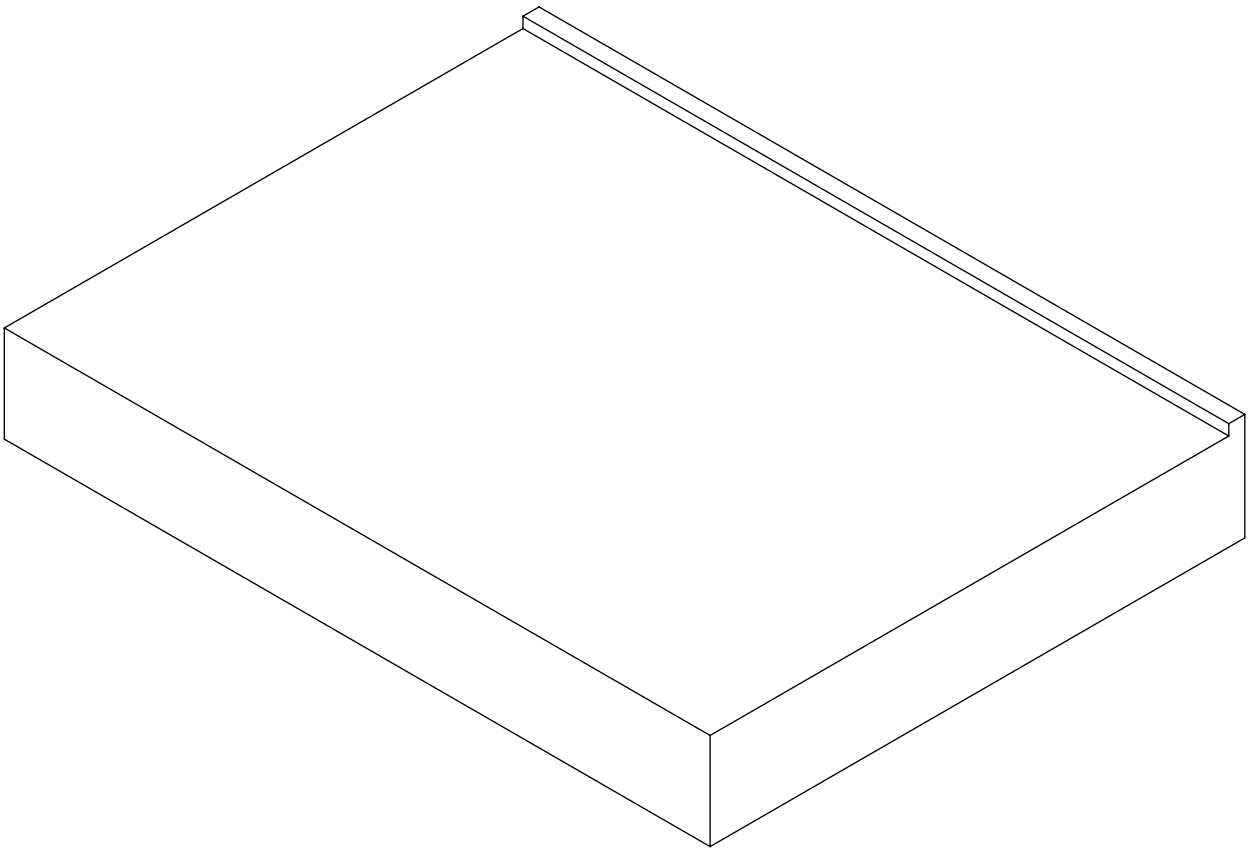


<4>



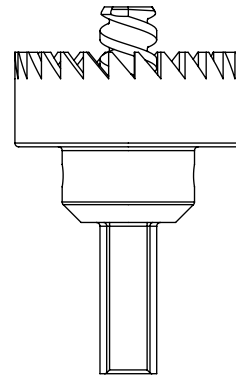
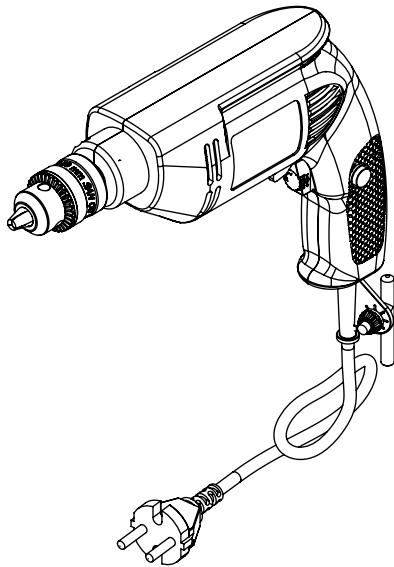
MILANO
STONE

Assembly Complete



MILANO
S T O N E

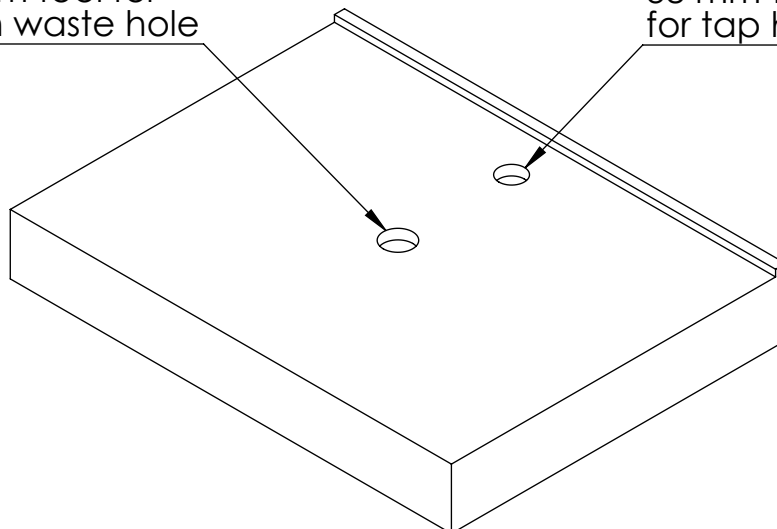
Holes for basin waste and tap can be added using standard hand drill and a hole cutting tool.



Recomended Hole Cutting Tool Sizes

44 mm tool for
basin waste hole

38 mm tool
for tap hole



MILANO
S T O N E