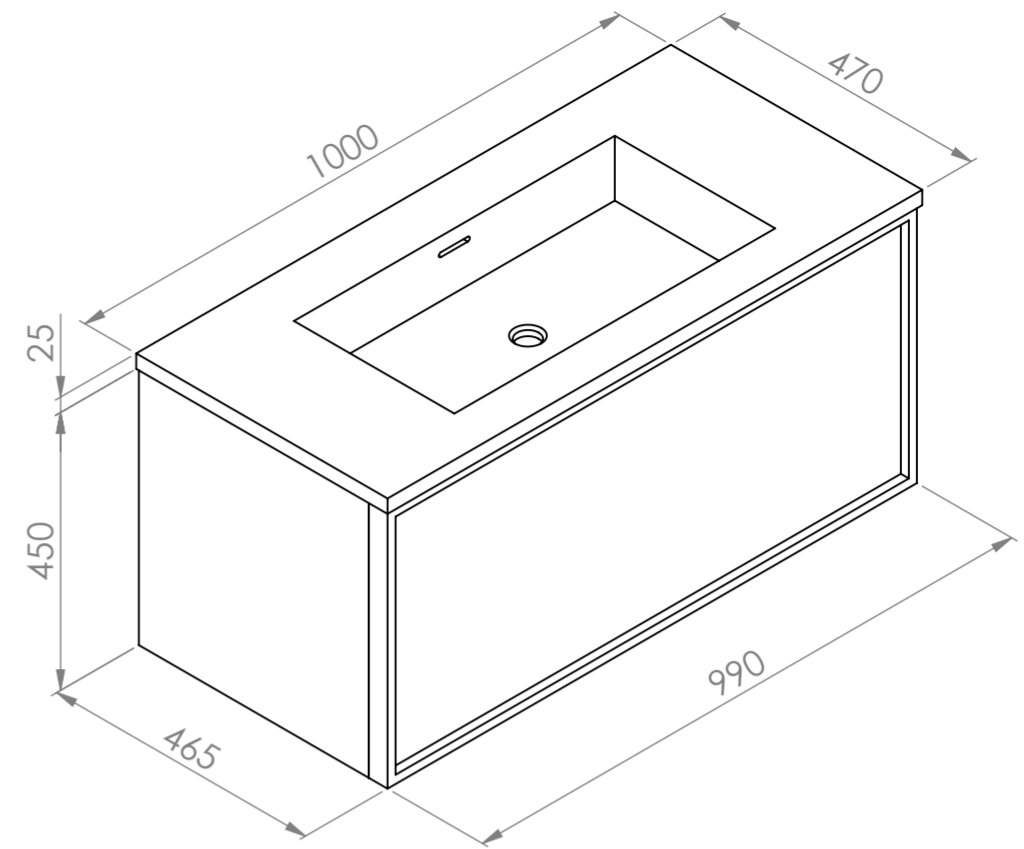
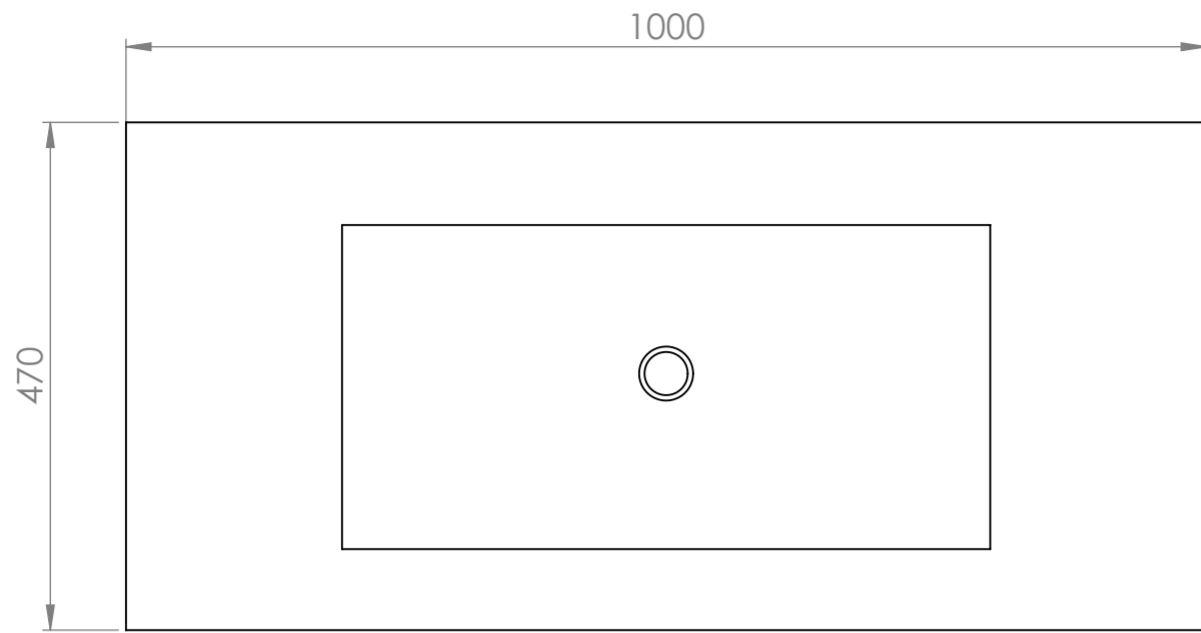
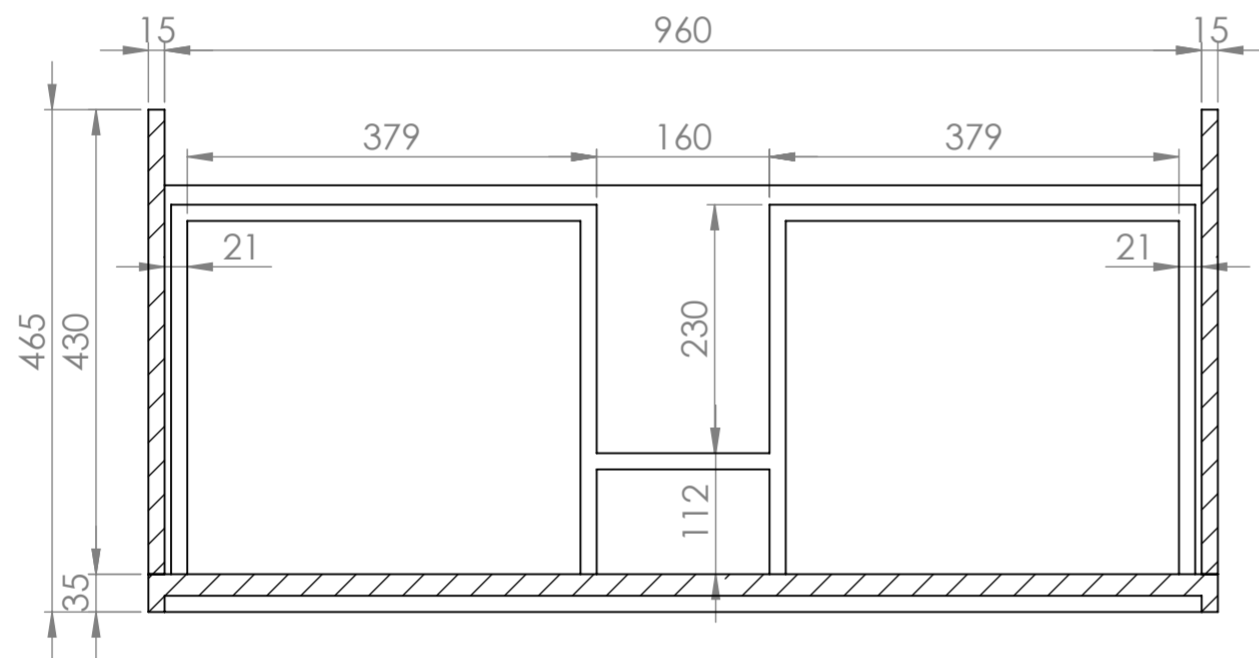


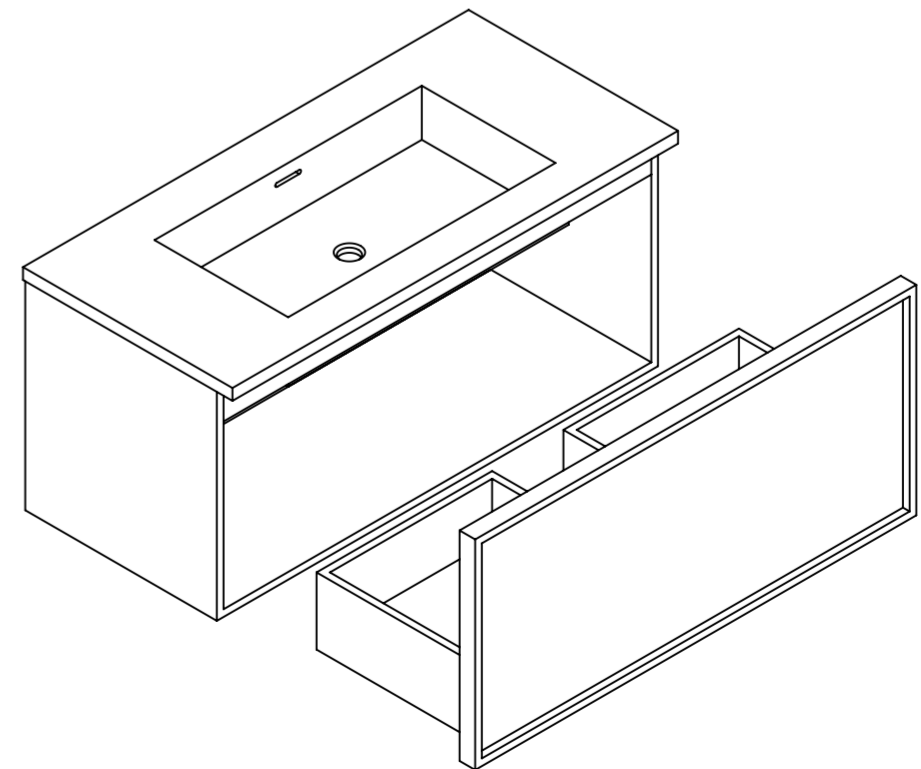
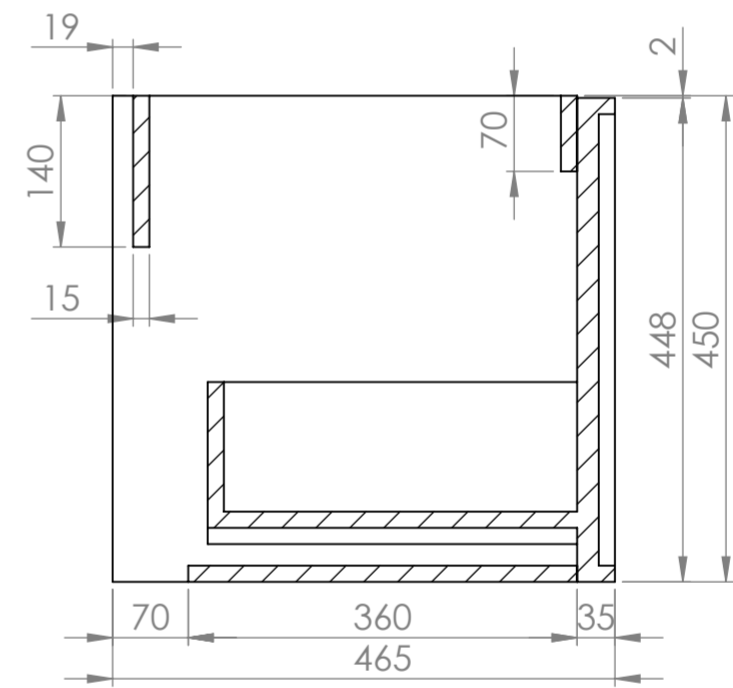
Top View



Top View - Section View



Side View - Section View



LUSO

Product Name

Vita Vanity Unit

Size, mm

1000 x 470 x 450

All dimensions provided in millimeters.

All vanity units are supplied with no tap hole (s). If you require a tap hole, you will need to use a standard 38mm hole-saw drill attachment.