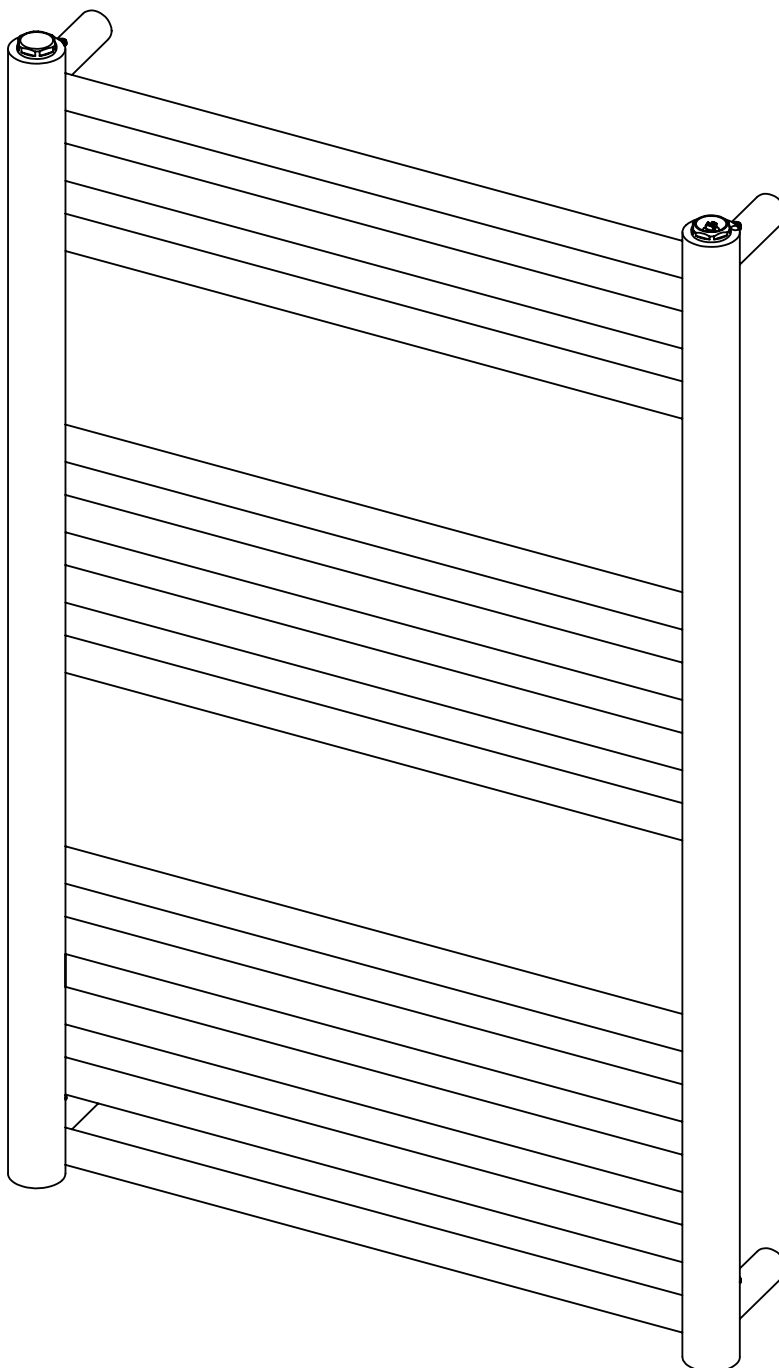


TUBO

ST10

DESIGNER TOWEL RADIATOR



EN
INSTALLATION
AND CARE GUIDE

Please retain for future reference

LUSO

INTRODUCTION

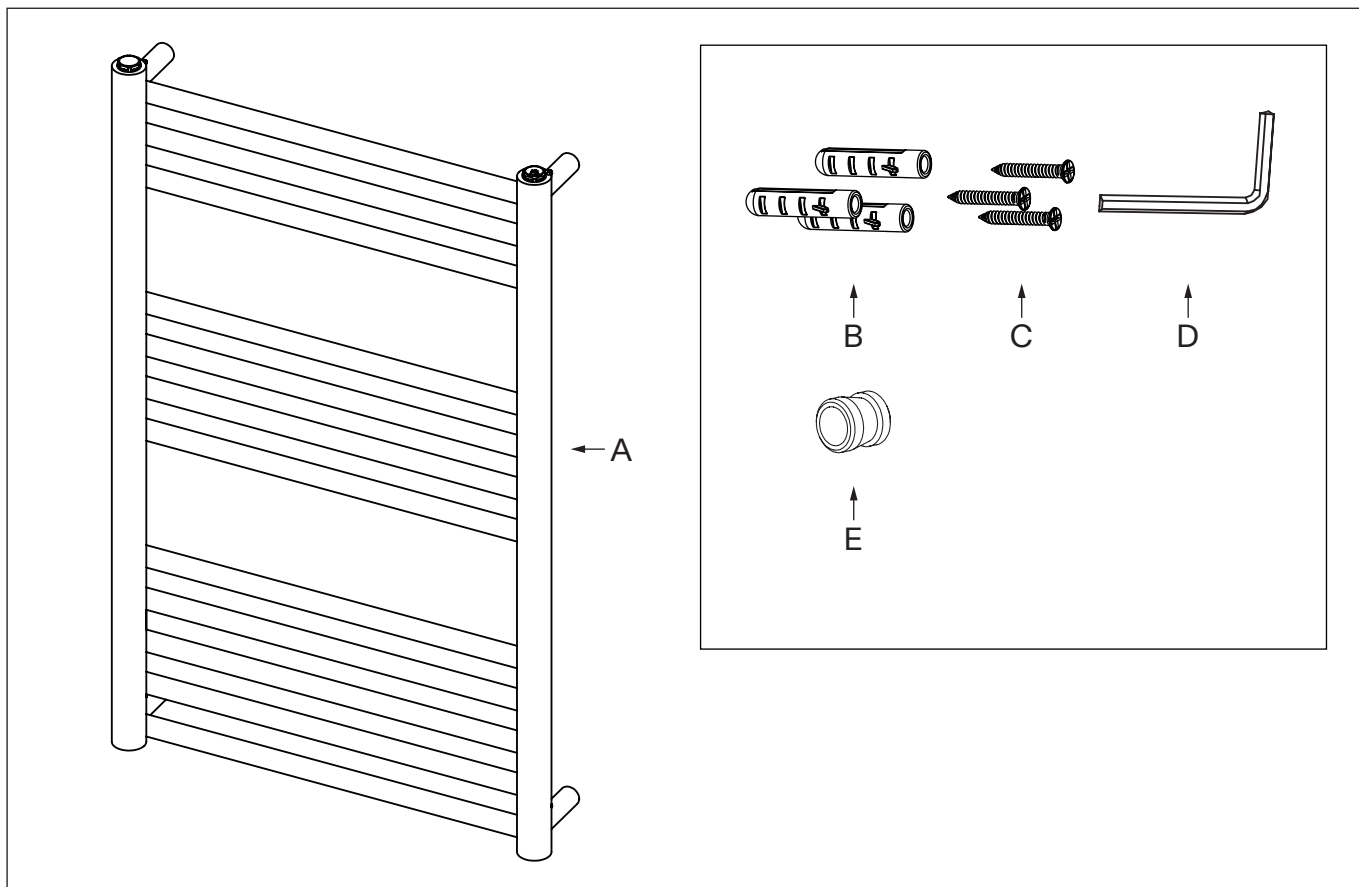
Thank you for purchasing this Tubo Designer Towel Radiator.

Please read this guide carefully before installing, using and cleaning this product, and retain it for future reference.

If you have any queries in relation to this product or guide, please contact our Customer Service team on 020 3370 4057.

PRODUCT KIT

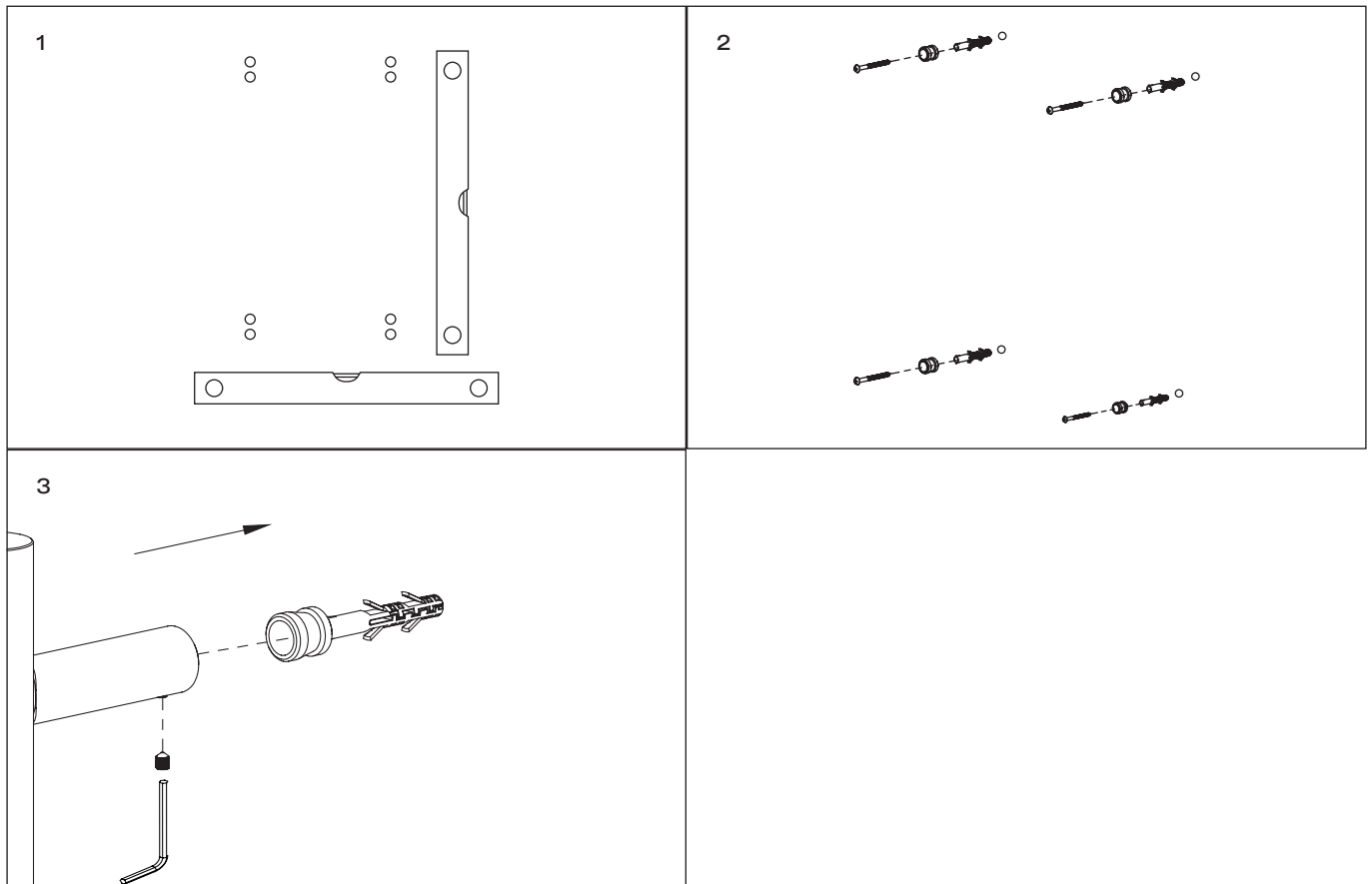
- A Radiator
- B Wall Plugs (x4)
- C Screws (x4)
- D Allen Key
- E Brackets (x4)



INSTALLATION STEPS

We recommend that this product is installed by a fully qualified plumber.

- 1 Use a pencil to mark the position of the radiator onto the wall, including markings for the radiator fixings, then drill the required holes using an electric drill.
- 2 Next, gently tap the provided wall plugs into the drilled holes, then screw in the wall brackets.
- 3 Carefully mount the radiator onto the brackets, then tighten the grub screws using the provided allen key.



CARE INSTRUCTIONS

To clean and maintain the flawless finish of this product, please follow the below instructions. Improper maintenance will void your product guarantee.

- ✓ Ensure the radiator is cool before cleaning.
- ✓ Remove dust with a soft cloth.
- ✓ Clean with a mild detergent or suitable cleaning solution..

- ✗ Do not clean with corrosive or abrasive cleaning agents.
- ✗ Do not clean with scouring pads or abrasive cloths.
- ✗ If the ambient temperature drops below 1°C, drain out the water from the radiator to prevent freezing.

Go to Lusso.com to activate your guarantee.

LUSO

Customer Care: 020 3370 4057

International: +44 20 3370 4057