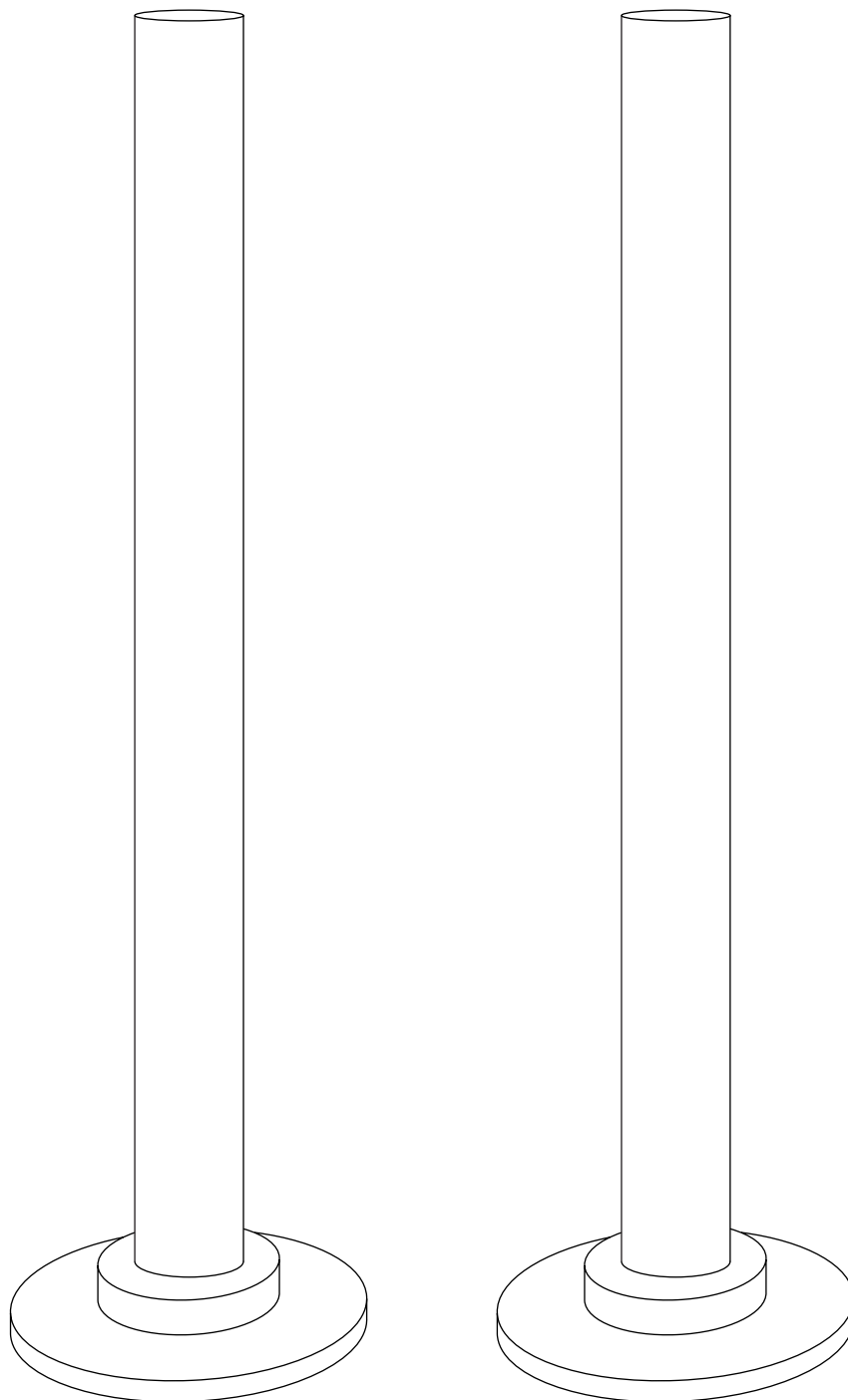


RADIATOR PIPE EXTENSION KIT

JF2303



EN
INSTALLATION
AND CARE GUIDE

Please retain for future reference

LUSO

INTRODUCTION

Thank you for purchasing the Radiator Pipe Extension Kit 180mm.

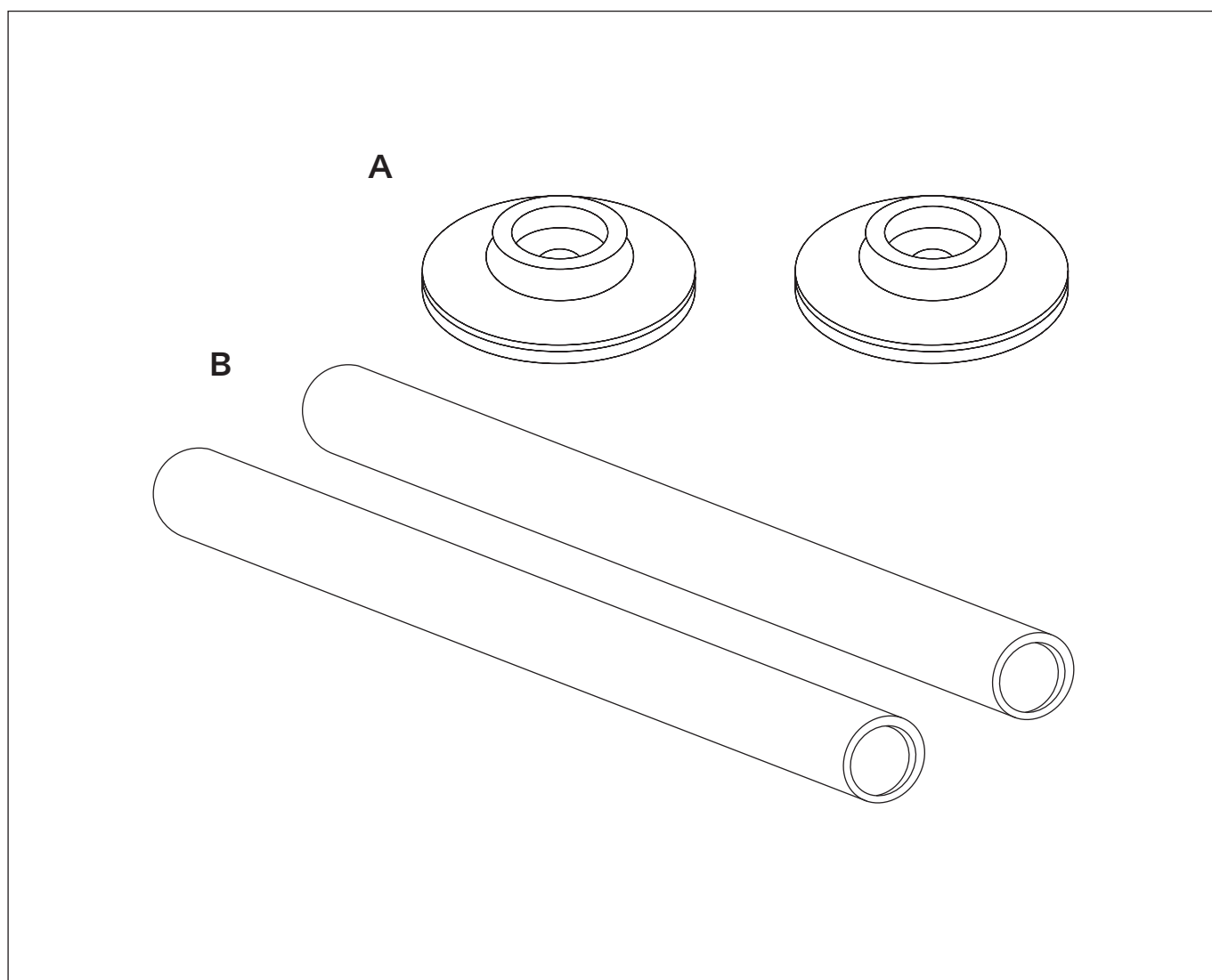
Please read this guide carefully before installing, using and cleaning this product, and retain it for future reference.

If you have any queries in relation to this product or guide, please contact our Customer Services team on 020 3370 4057.

PRODUCT KIT

A Cover Plates (x2)

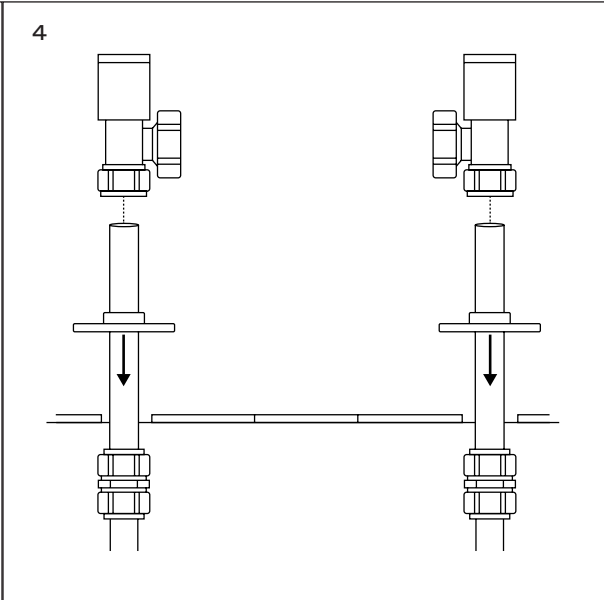
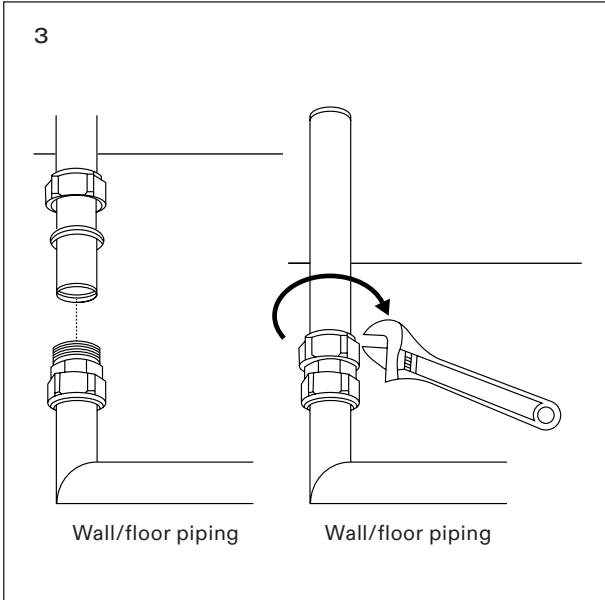
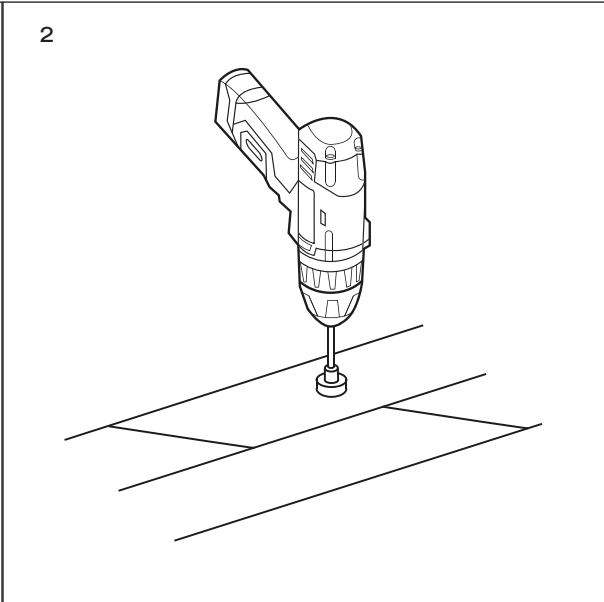
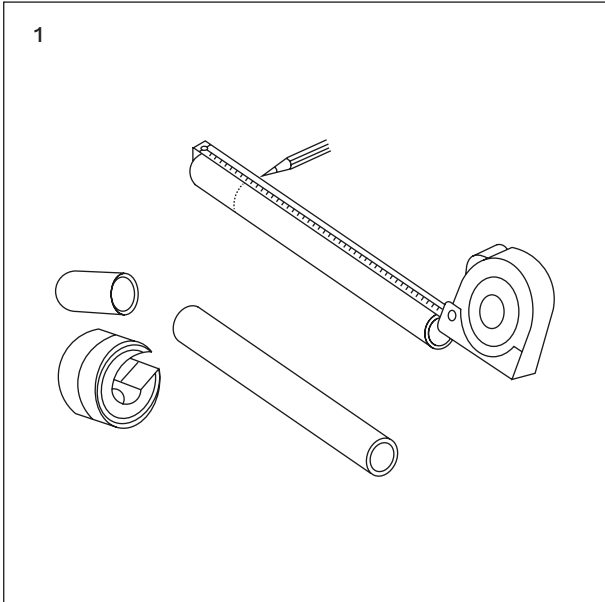
B Brass Pipes (x2)



INSTALLATION STEPS

Please ensure that this product is installed by a fully qualified professional.

- 1** Measure and mark the pipe to the required length, then use a 15 mm pipe cutter to create a clean, precise cut.
- 2** For ground installation, proceed with Step 2.1. For wall installation, follow Step 2.2.
 - 2.1** At the marked points, drill the required holes or use expansion screws to secure the base firmly in place.
 - 2.2** Ensure the wall offers sufficient load-bearing support, then use expansion screws or the appropriate dedicated fixings to secure the base.
- 3** Position the extension pipe into the base opening, keeping it perfectly vertical. Use a level if necessary and avoid any tilting to ensure a flawless fit.
- 4** Align the cover plate with the designated position where the extension pipe meets the radiator pipe, ensuring accuracy for an effective, seamless seal.
- 5** Once all elements are in place, inspect each joint and connection carefully to confirm there are no leaks.



CARE INSTRUCTIONS

To preserve the flawless finish of your product, follow the care guidance below, as improper maintenance may void your product guarantee.

- ✓ Rinse the surface with clean water or a suitable glass cleaner. Dry thoroughly after rinsing using a soft, non-abrasive cloth.
- ✓ For light marks, use a neutral cleanser free from coarse or grainy particles.
- ✗ Avoid acidic cleaning agents.
- ✗ Avoid abrasive cleaners, pads or cloths, as these may damage the finish.

Activate your product guarantee at Lusso.com.

LUSO

Customer Care: 020 3370 4057

International: +44 20 3370 4057