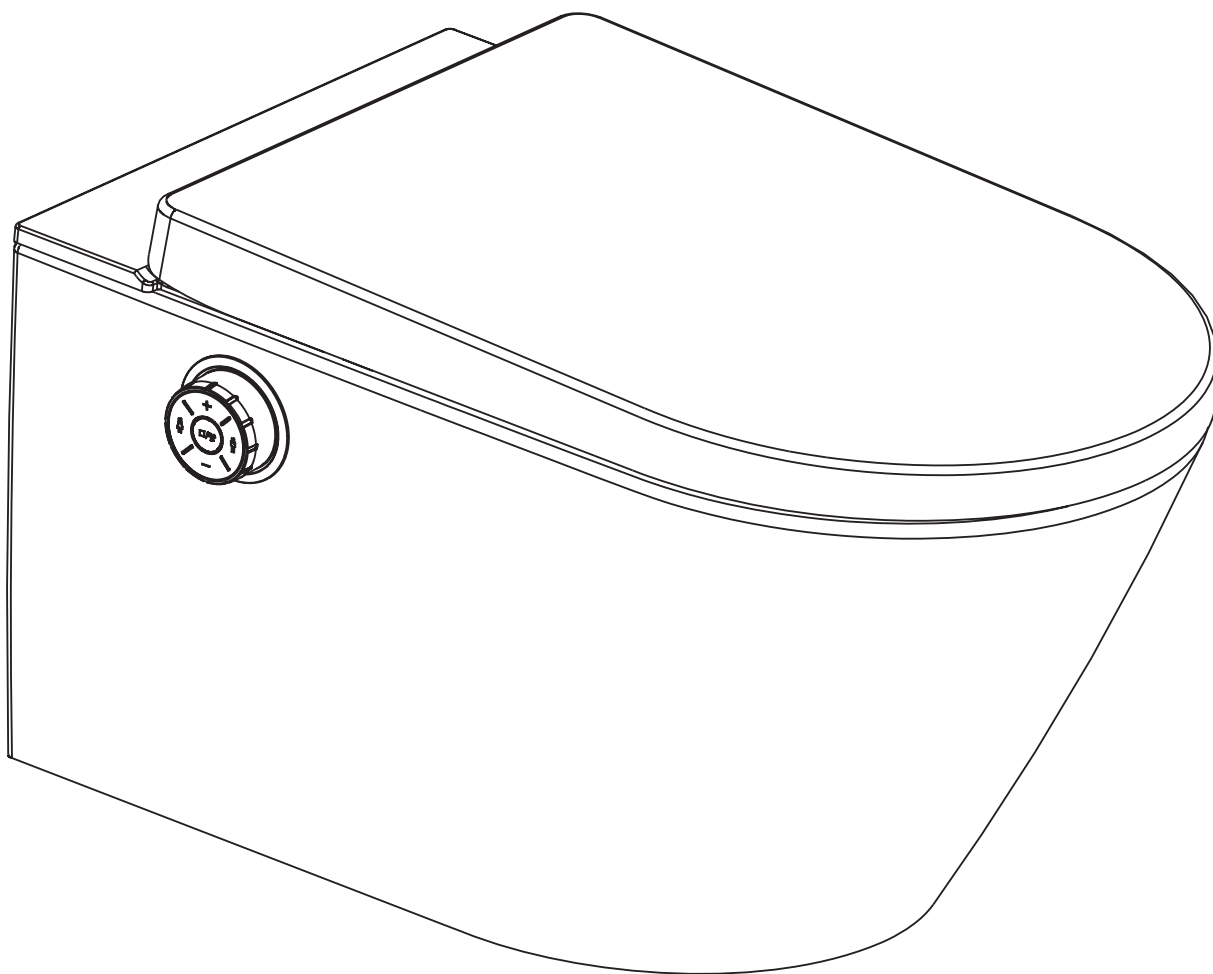


# INTELLISMART

L400WH

WALL HUNG RIMLESS  
BIDET TOILET



EN  
INSTALLATION  
AND CARE GUIDE

Please retain for future reference

# LUSSO



# INTRODUCTION

Thank you for purchasing from the Intellismart Wall Hung Rimless Bidet Toilet.

Please read this guide carefully before installing, using and cleaning this product, and retain it for future reference.

If you have any queries in relation to this product or guide, please contact our Customer Service team on 020 3370 4057.

Go to [Lusso.com](https://www.lusso.com) to activate your guarantee.

## SAFETY INFORMATION

Before installation, please note that this product is a Class 1 electrical appliance, which means that it must be connected to an earth ground system. You must also ensure that it is not installed in an area with a high temperature, or where it can be easily splashed with water. In addition, please ensure that the installation area offers good ventilation via an exhaust/extractor fan or ventilation opening.

Please take care not to damage the power cord and plug, and do not attempt to disassemble, repair or reassemble the appliance. You must also avoid turning the product upside down, and take care not to bend or distort the inlet hose.

We strongly recommend that it is installed by a fully qualified tradesperson, and in the event of damage to the power supply cord, the cord must be replaced by a fully qualified electrician.

Lusso will not be held responsible for any loss resulting from failure to comply with the safety information and guidance provided within this guide.

# TECHNICAL SPECIFICATIONS

<b>MODEL</b>	L400WH	
<b>Wash</b>	Rear Wash	•
	Female Wash	•
	Oscillating Spray	•
	Pulsating Spray	•
	Oscillating and Pulsating Spray	•
	Adjustable Water Temperature	5 Steps (default 3rd)
	Adjustable Flow Rate	5 Steps (default 3rd)
	Adjustable Spray Position	5 Steps (default 5th)
<b>Warm Air</b>	Air Drying	•
	Adjustable Dryer Temperature	5 Steps (default 3rd)
<b>Hygiene</b>	Deodoriser	•
	Nozzle Self Cleaning	•
	Nozzle Manual Cleaning	•
	User Mode	2 Users
	Night Light	•
	Ambient Light	•
	Soft Closing Seat and Cover	•
	Quick Release Seat and Cover	•
	Toilet Control Knob	•
	Remote Control	•
	Rimless Toilet	•
	Water Supply Connector	G 3/8
	Rated Voltage	AC220-240V, 50-60HZ
	Power	950W
	Power Cord Length	1.8m
	Water Supply Pressure	0.07~0.75MPa (0.07~7.5Bar)
	Water Supply Temperature	4~35°C

	Ambient Temperature	4~40°C
	Protection Degree	IPX4
<b>Wash Device</b>	Flow Rate	350~650ml/Min
	Water Temperature	31~39°C
	Wash Cycle Time	3 Minutes
	Heating Mode	Tank
	Maximum Heater Power	1260W
	Safety Device	Thermal Cutoff Fuses / Liquid Level Switch / Thermostat
	Backflow Prevention	Air Gap
<b>Dry Device</b>	Maximum Air Speed	5m/S
	Maximum Dryer Power	280W
	Dry Cycle Time	3 Minutes
	Warm Air Temperature	35~50°C
	Safety Device	Thermal Cutoff Fuses / Thermostat
<b>Deodorisation</b>	Deodorisation Mode	Diatom
	Deodorisation Cycle Time	15 Minutes
<b>Remote Control</b>	Frequency Range	2460MHz
	Maximum RF Output Power	-10dBm
	Type of Batteries	1.5V LR03 AAA
	Number of Batteries	2
	Other Safety Device	Residual Current Devices
	Net Weight	32kg
	Dimension	593*370*380mm

# REQUIRED INSTALLATION TOOLS

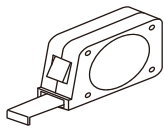
<b>A</b>	Tape Measure	<b>H</b>	Wire Stripper
<b>B</b>	Pencil	<b>I</b>	Electric Drill
<b>C</b>	Crosshead Screwdriver	<b>J</b>	12mm Drill Bit
<b>D</b>	Flathead Screwdriver	<b>K</b>	Hacksaw
<b>E</b>	Box Cutter	<b>L</b>	Ruler
<b>F</b>	File	<b>M</b>	Spirit Level
<b>G</b>	Adjustable Wrench		

# INTELLISMART PRODUCT KIT

<b>A</b>	Toilet Pan	<b>H</b>	Coupler
<b>B</b>	Flush Rate Limiter	<b>I</b>	M12 Bolts (x2)
<b>C</b>	Inlet Hose	<b>J</b>	M12 Nuts (x2)
<b>D</b>	Stop Valve	<b>K</b>	Washers (x2)
<b>E</b>	Filter	<b>L</b>	Plugs (x2)
<b>F</b>	Inlet Pipe with Sealing Ring	<b>M</b>	Cushion
<b>G</b>	Flushing Pipe with Sealing Ring		

# REMOTE CONTROL PRODUCT KIT

<b>A</b>	Remote (Batteries Not Included)
<b>B</b>	Remote Holder
<b>C</b>	Screws (x2)
<b>D</b>	Wall Plugs (x2)
<b>E</b>	Screw Cover Caps (x2)
<b>F</b>	Adhesive Patch



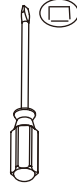
A



B



C



D



E



F



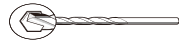
G



H



I



J



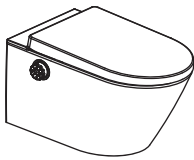
K



L



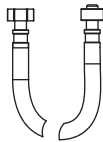
M



A



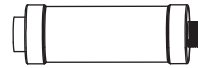
B



C



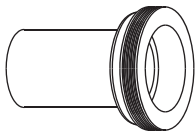
D



E



F



G



H



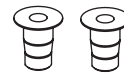
I



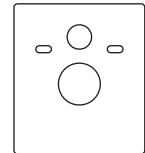
J



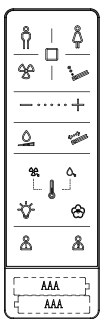
K



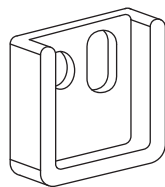
L



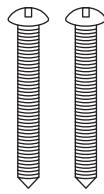
M



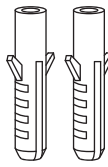
A



B



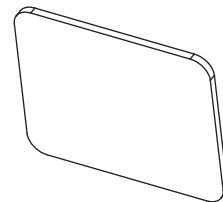
C



D



E

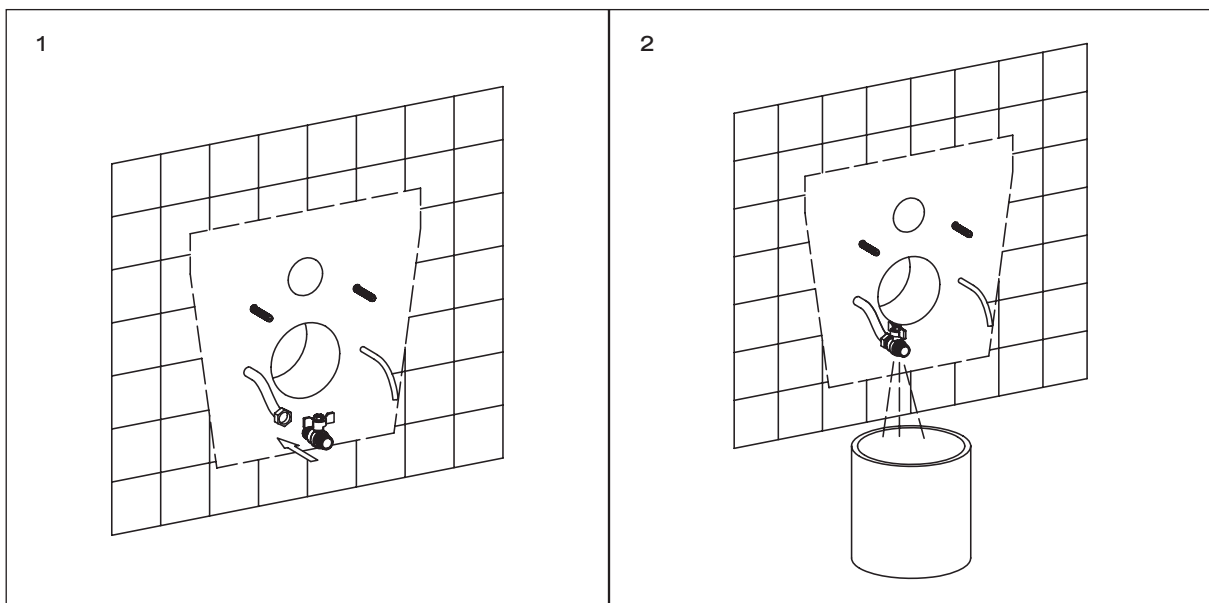


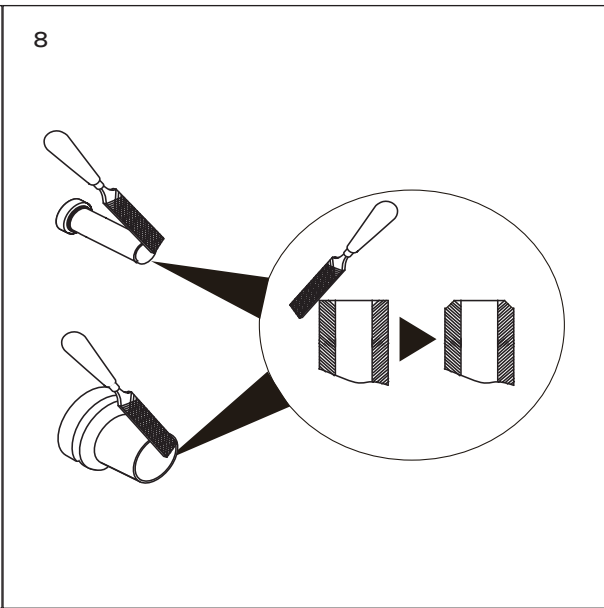
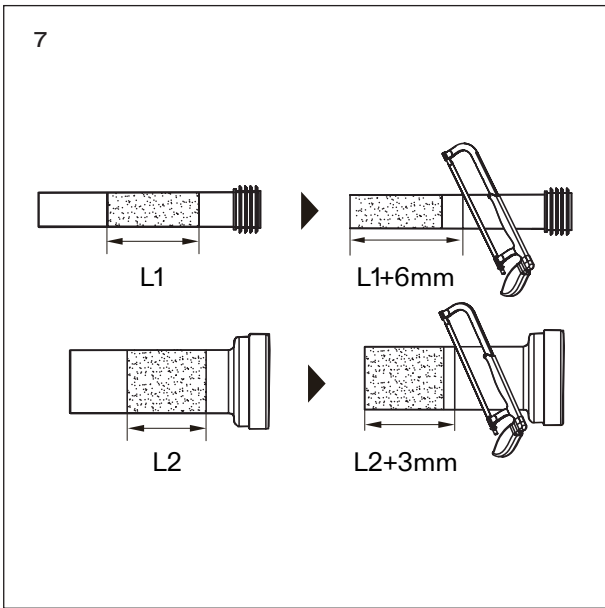
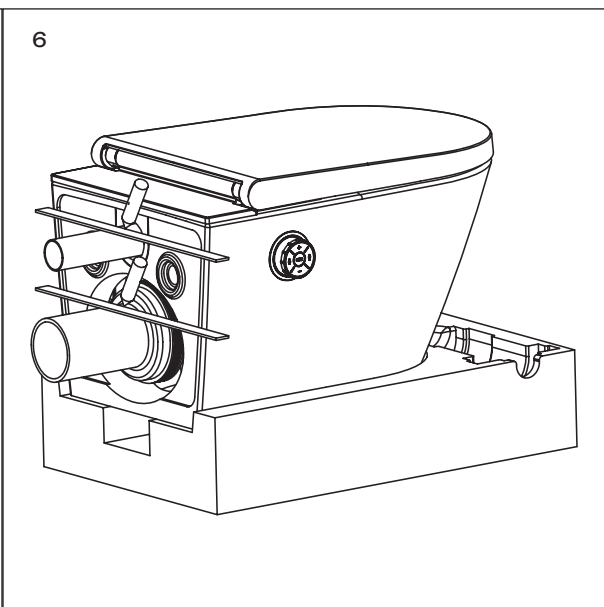
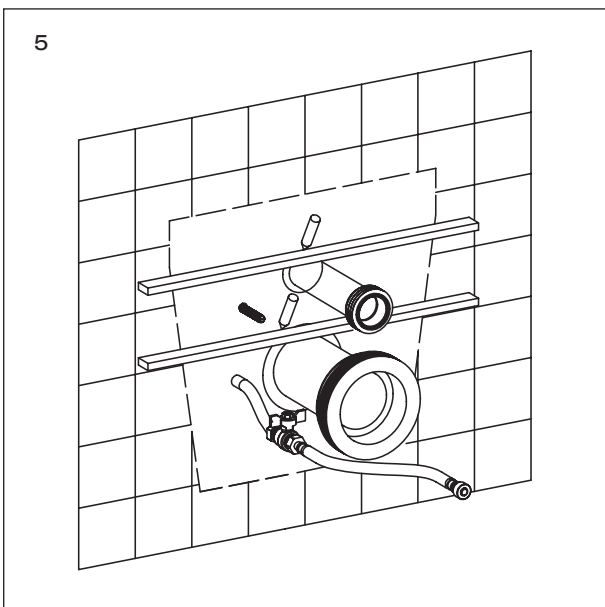
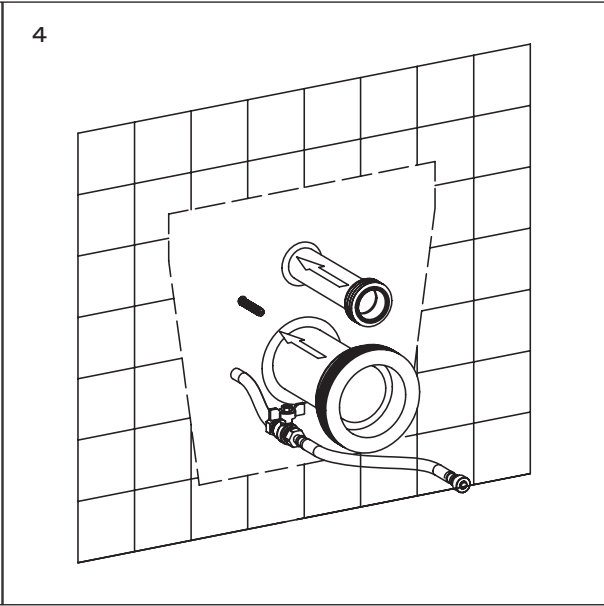
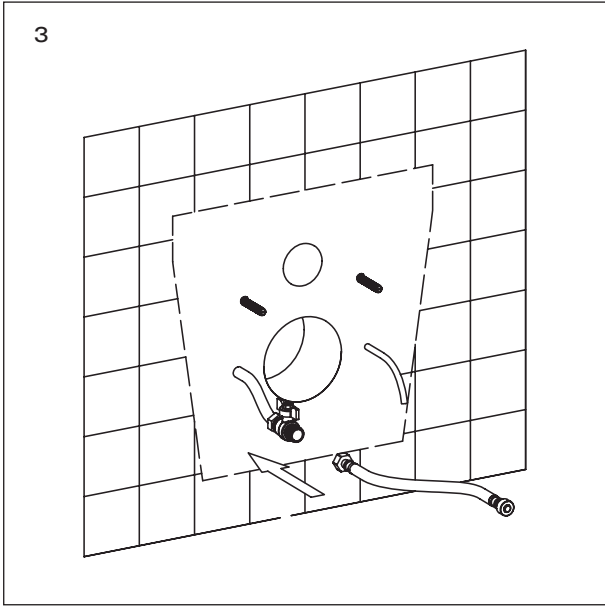
F

# INSTALLATION STEPS

Before installation, please ensure that both the power supply and water supply are switched off for your safety. You should also prepare the installation area, and where required, ensure that access holes are available for the flush and waste pipe. You must also prepare the water supply pipe, and ensure that the installation area is equipped with electric cabling.

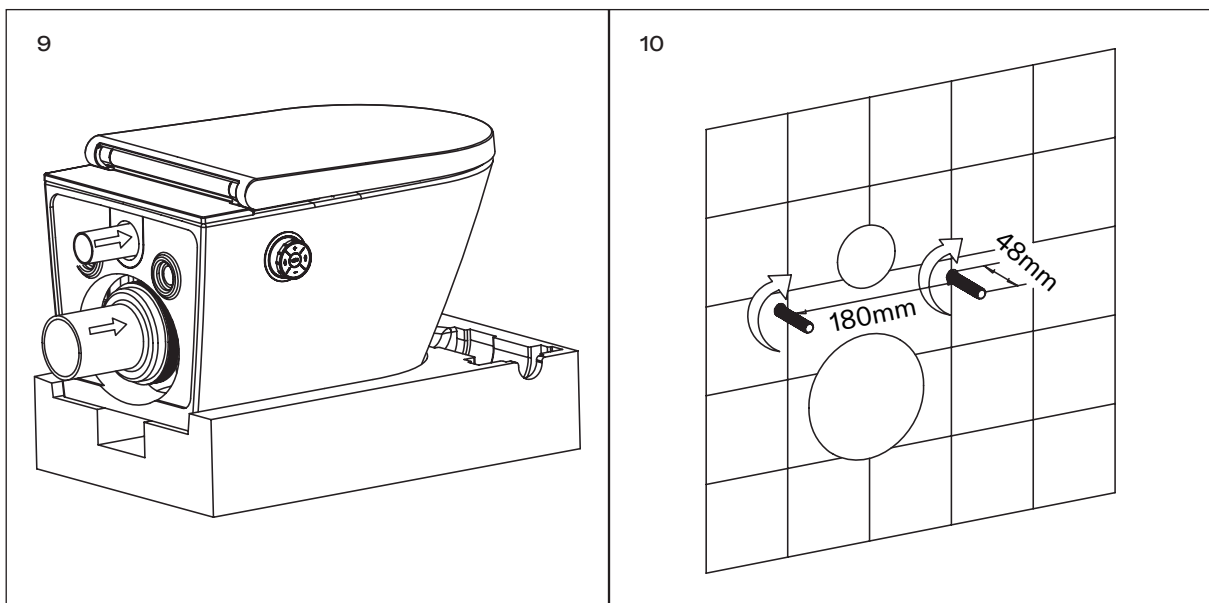
- 1 Install the stop valve onto the inlet pipe.
- 2 Open the stop valve and drain for 10 seconds to remove any debris from the system, then close the valve.
- 3 If using a filter, install it and connect the female thread end to the stop valve.
- 4 Next, install the inlet pipe and flush pipe onto the wall.
- 5 Using a ruler and pencil, mark a line on both the flush pipe and the inlet pipe to indicate where they meet the wall surface.
- 6 Remove the flush pipe and inlet pipes from the wall, insert them into the correct holes in the back of the toilet pan, and use a ruler and pencil to mark where they meet the surface of the pan.
- 7 Remove the pipes from the toilet pan, measure the distance between the two lines on each pipe (L1 and L2), and trim down the pipes following the length measurements shown in figure 7.
- 8 Use a file to create chamfered edges on the newly cut ends of the pipes.

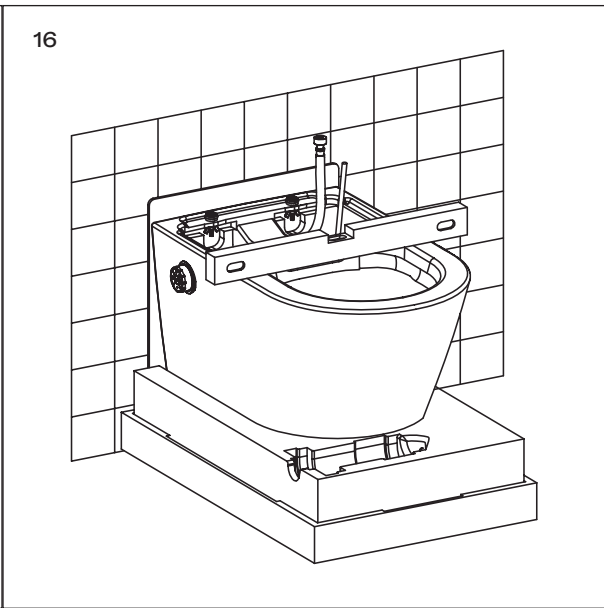
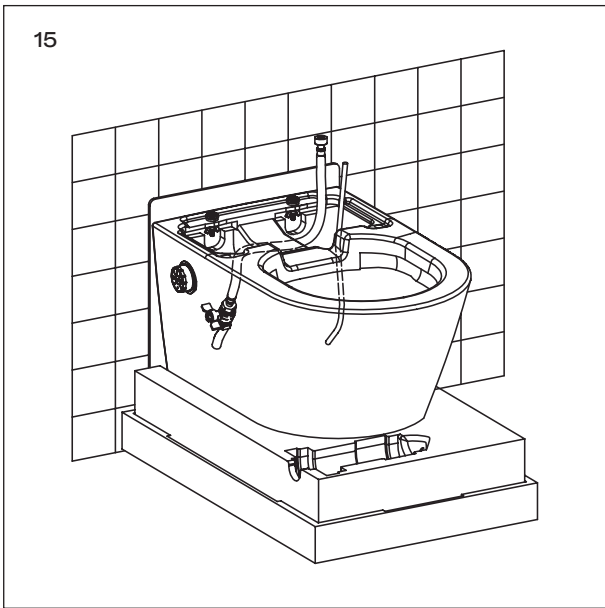
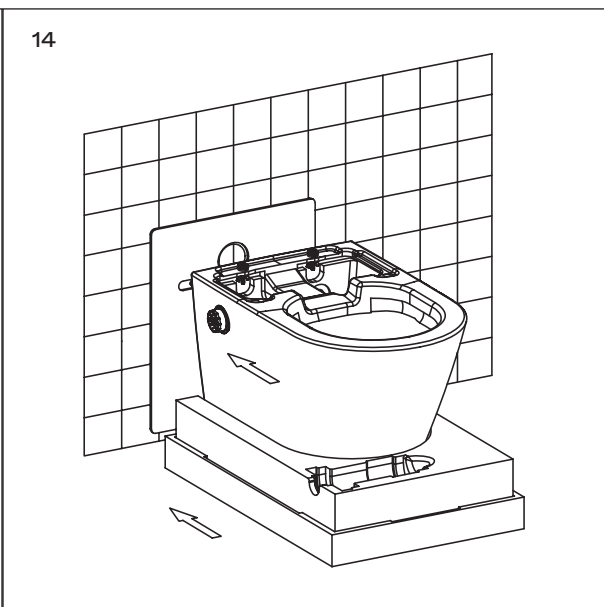
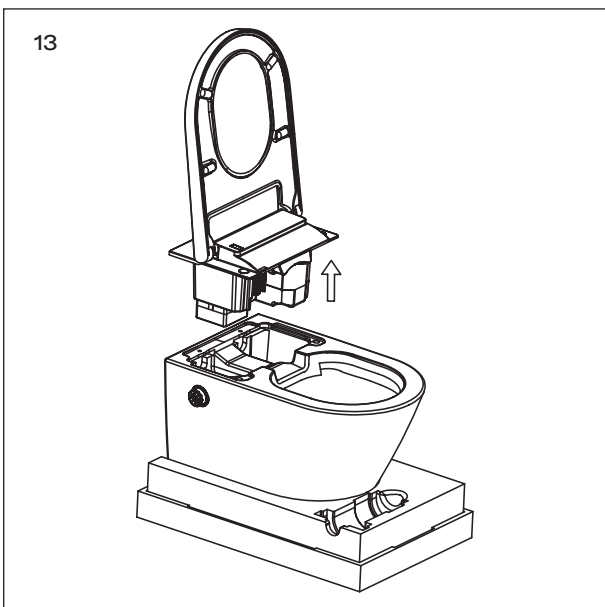
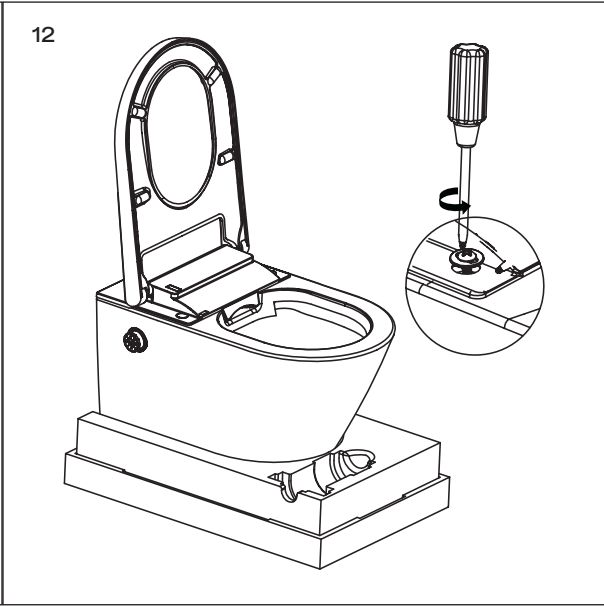
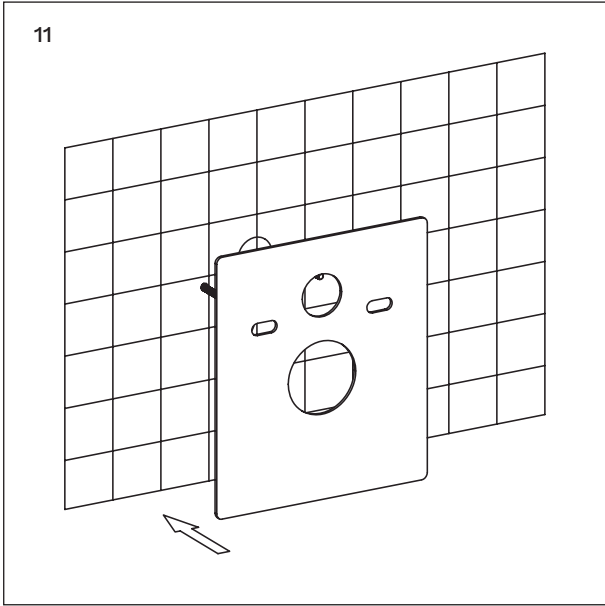




# INSTALLATION STEPS

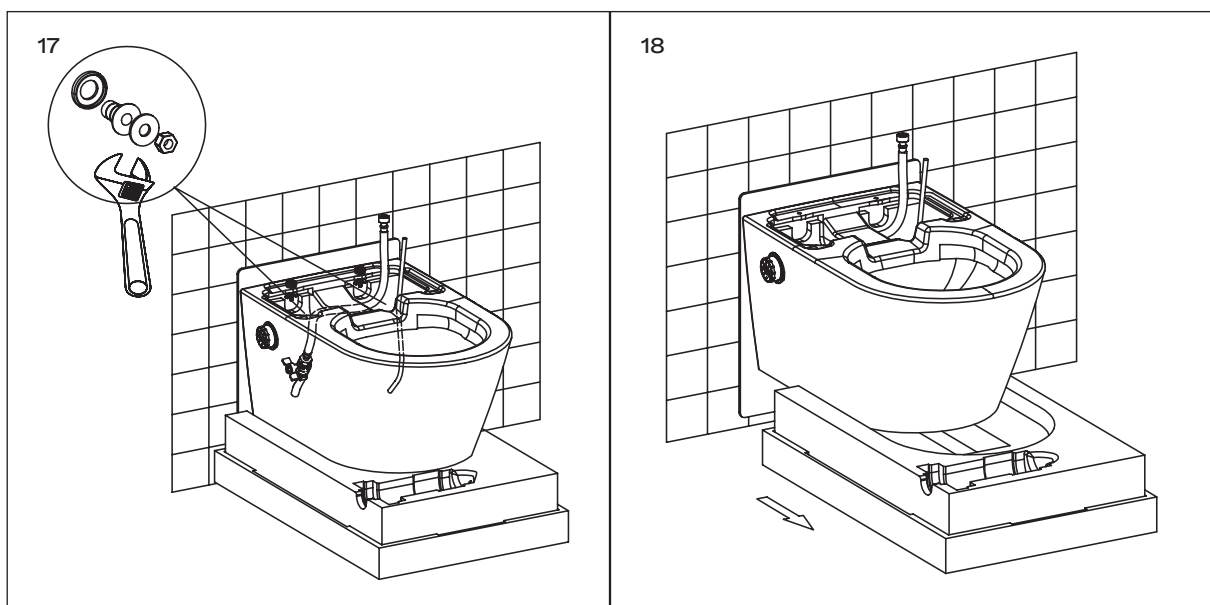
- 9 Install the two pipes into the back of the toilet pan, ensuring that they are securely attached.
- 10 Install the bolts into the wall, following the measurement guidance shown in figure 10.
- 11 Place the cushion over the installed bolts.
- 12 Remove the screw covers from the toilet seat, then remove the screws from the toilet seat using a crosshead screwdriver.
- 13 Remove the toilet seat from the toilet pan, taking care not to tip it or turn it upside down.
- 14 Carefully position the toilet against the cushion, ensuring that the holes in the toilet pan are positioned onto the bolts, and the pipes are properly installed.
- 15 Pull through the flexipipe and electric cable.
- 16 Use a spirit level to ensure that the toilet is level.



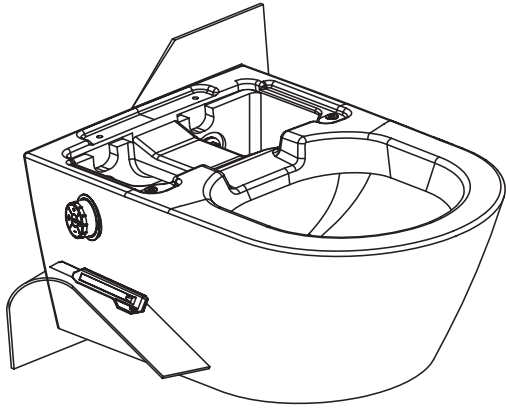


# INSTALLATION STEPS

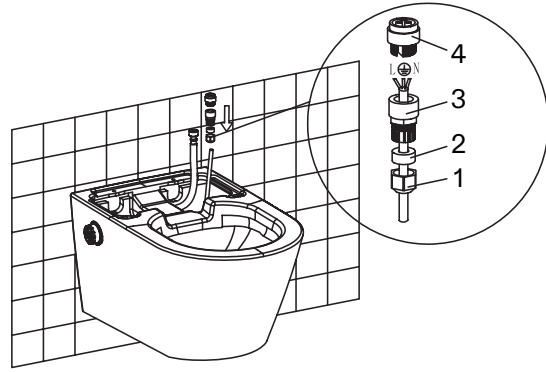
- 17 Use a wrench and the provided bolt fixings to secure the toilet to the bolts.
- 18 Once the toilet is securely fastened onto the wall, carefully slide out the support packaging from beneath the toilet pan.
- 19 Remove any excess material from the cushion.
- 20 Install one end of the coupler onto the inlet cable.
- 21 Carefully position the toilet seat and lid onto the support packaging.
- 22 Install the other end of the coupler to the power cord on the toilet seat.
- 23 Connect the inlet pipe and couple.
- 24 Carefully install the toilet seat onto the toilet pan, open the stop valve, and press the reset button.



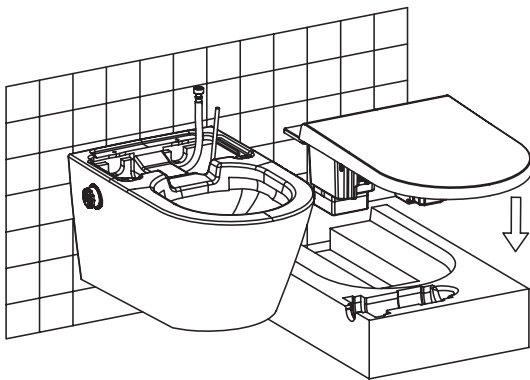
19



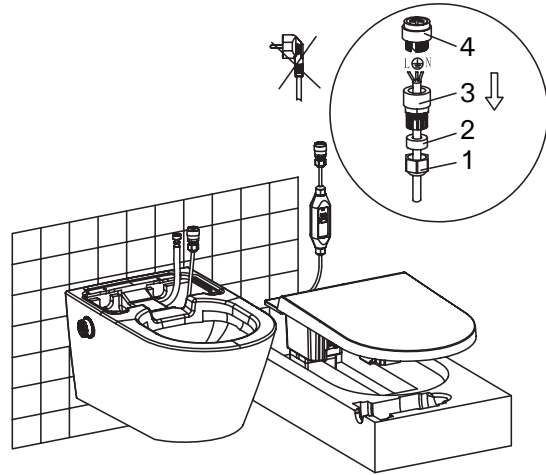
20



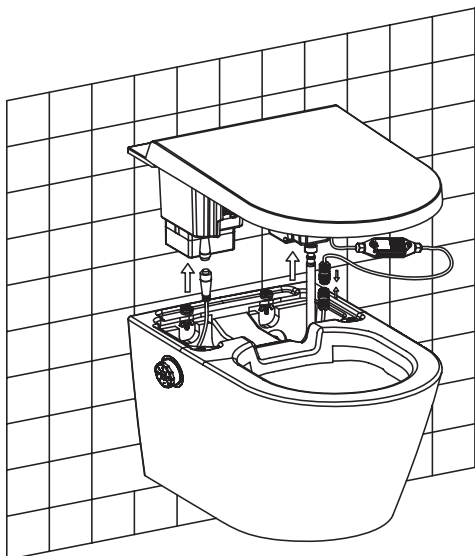
21



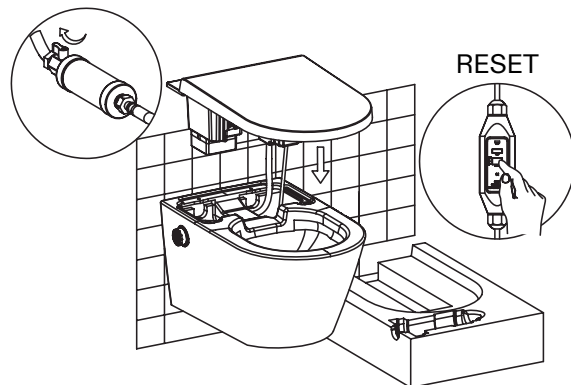
22



23



24



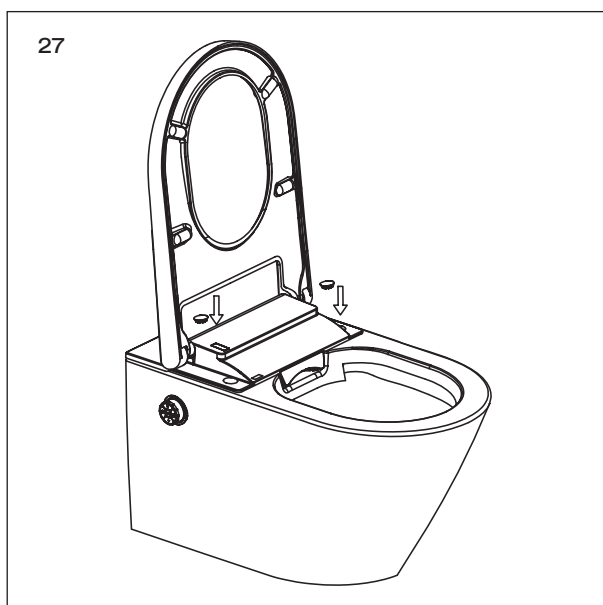
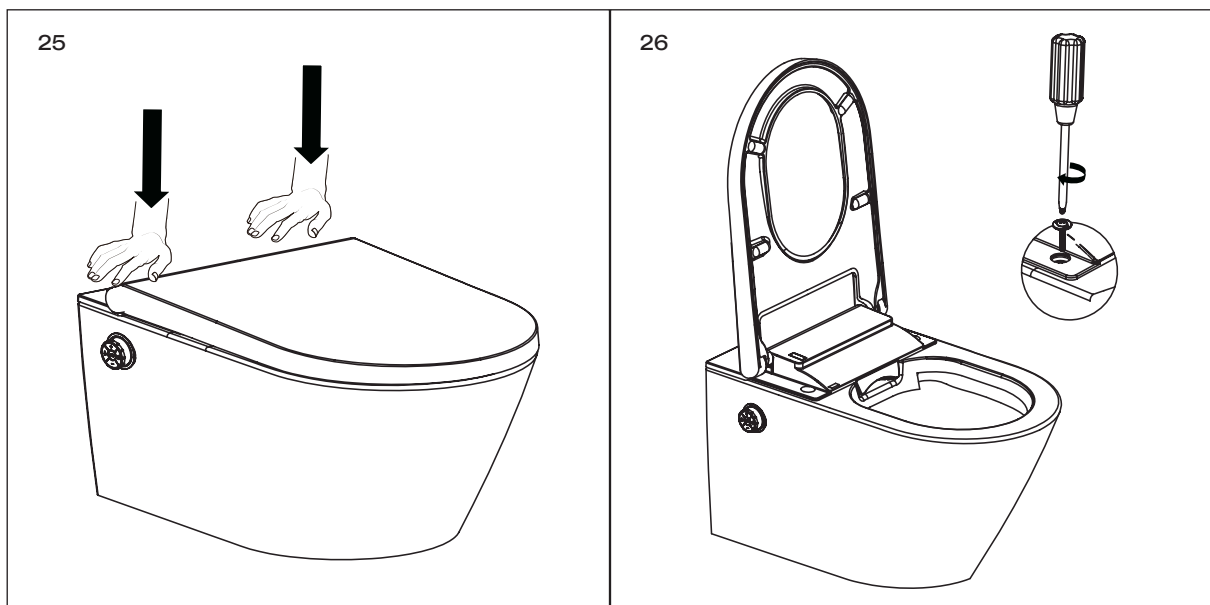
# INSTALLATION STEPS

**25** Gently push down on the rear of the seat to ensure it's securely fixed into position.

**26** Screw the toilet seat onto the pan.

**27** Reinstall the screw covers to complete the installation.

If during installation, you note that the water volume within the flushing system is too high and causing water to splash over the rim, you will need to install a flush rate limiter. After installing the limiter, if the toilet bowl does not fully empty/clean, please remove one or more of the limiter teeth, as shown below.

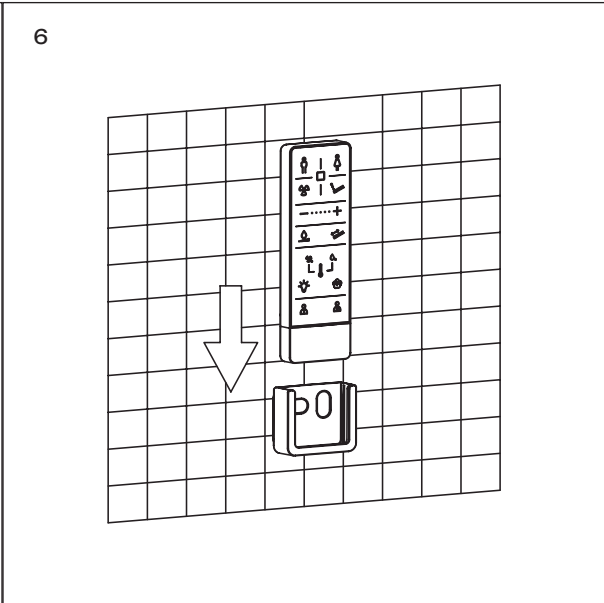
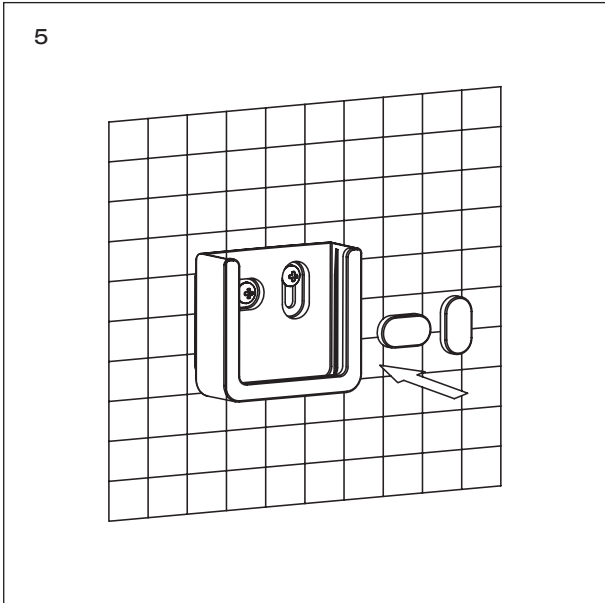
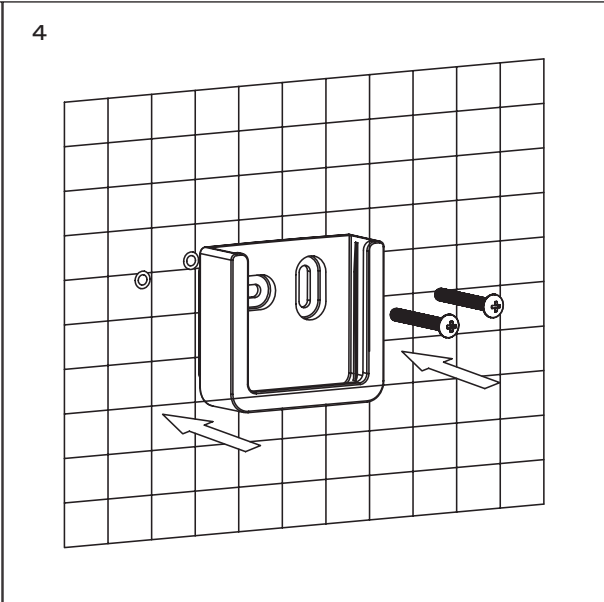
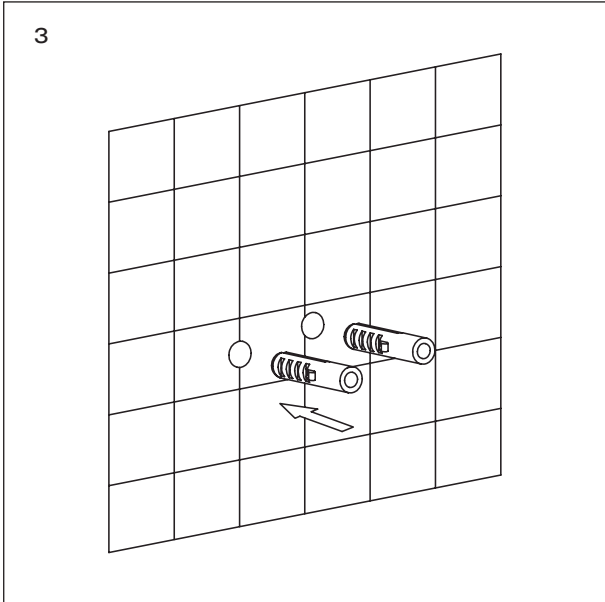
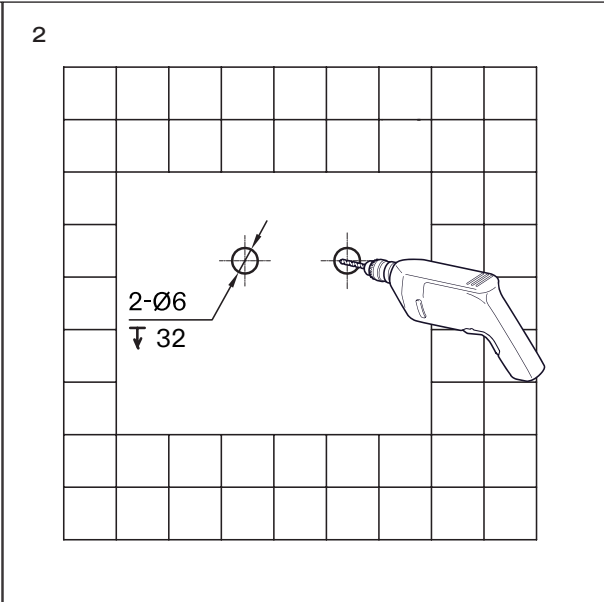
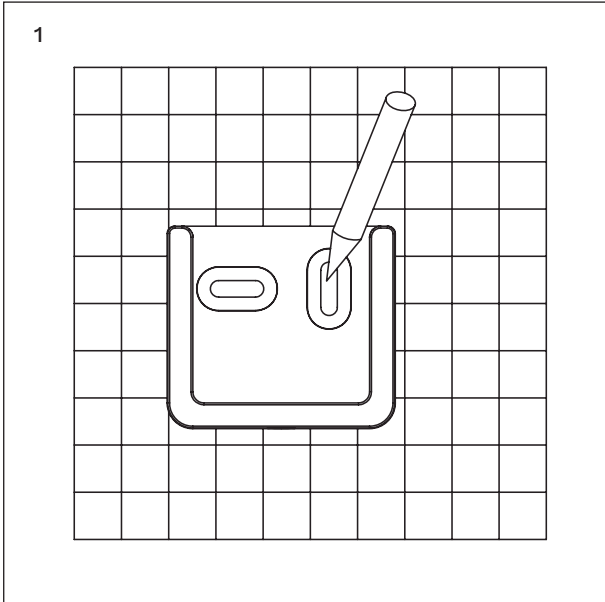




# REMOTE CONTROL HOLDER INSTALLATION STEPS

## OPTION A (SCREW FIXINGS)

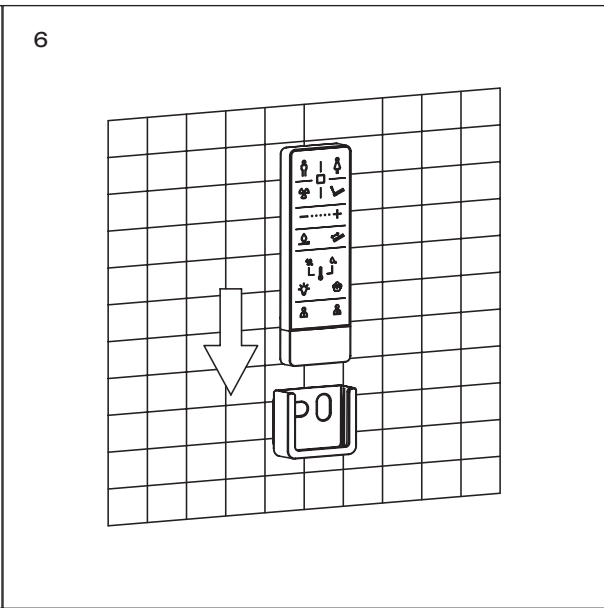
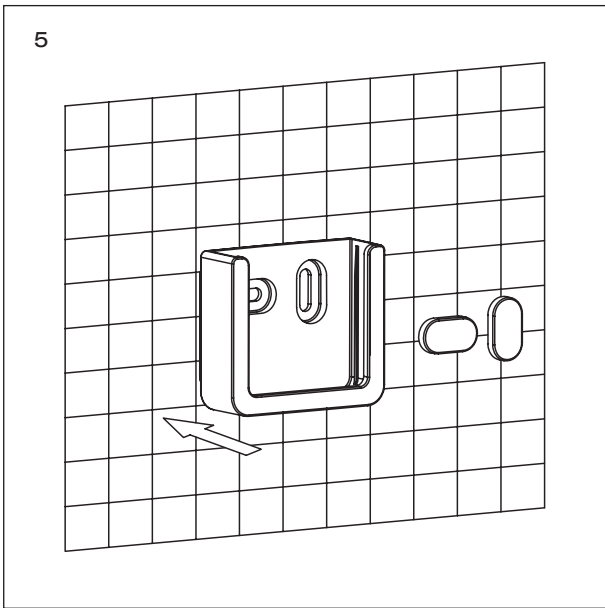
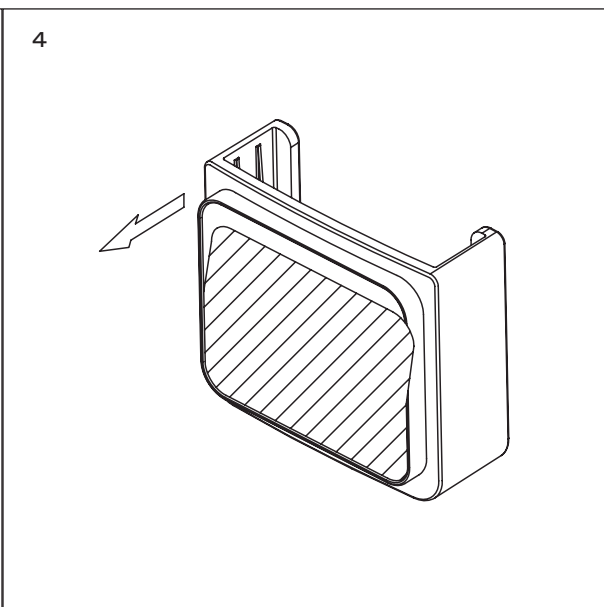
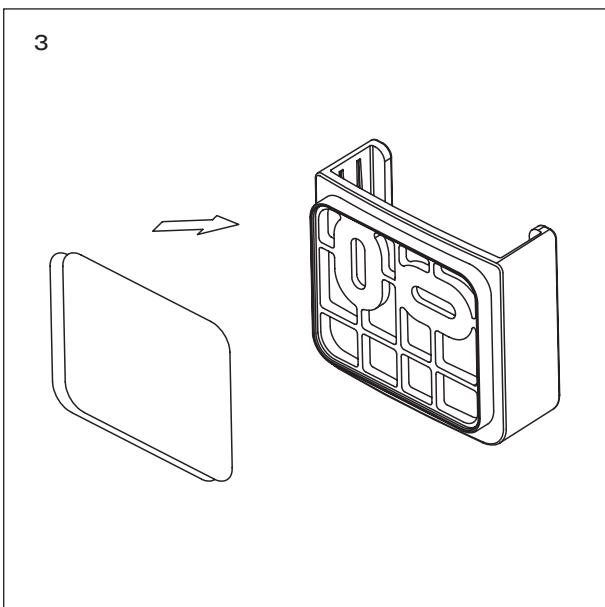
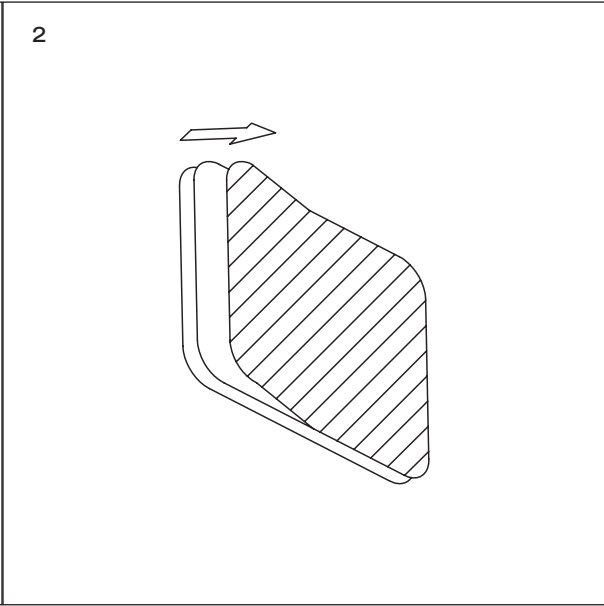
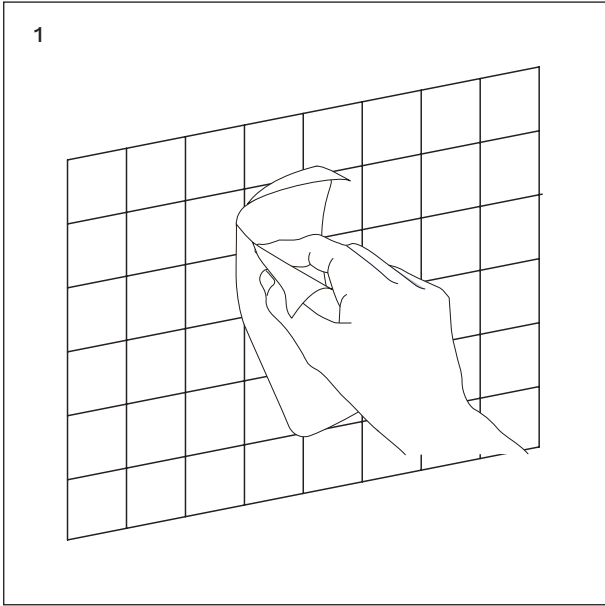
- 1 Position the holder onto the installation wall, ensuring it's level, and use a pencil to mark the position for the required drill holes.
- 2 Drill two holes using an electric drill with a 6mm drill bit.
- 3 Insert wall plugs into the drilled holes.
- 4 Affix the holder onto the wall with the provided screws.
- 5 Install the screw cover caps.
- 6 Place the remote into the holder.



# REMOTE CONTROL HOLDER INSTALLATION STEPS

## OPTION B (ADHESIVE PATCH)

- 1 Clean the installation area.
- 2 Peel off the cover from one side of the adhesive patch.
- 3 Stick the patch onto the holder, as shown in figure 3.
- 4 Peel off the remaining cover from the adhesive patch.
- 5 Carefully stick the holder to the wall, ensuring that it's level and install the screw cover caps.
- 6 Place the remote into the holder.



# OPERATIONAL INSTRUCTIONS

## REAR WASH / FEMALE WASH

Please only use this functionality when seated.

Press the 'Rear Wash' on 'Female Wash' button on either the remote control or toilet knob to activate the washing functionality.

The washing duration time is three minutes, however you can end the process before it's completed by pressing the 'Stop' button on either the remote control or the toilet control knob.

During the wash process, the water jet will remain in a fixed position for the first 10 seconds (approximately). After this, the water jet will move for around 18 seconds, before returning to its fixed position for the duration of the process.

Both wash functions are followed by a three minute drying period.

## MASSAGE FUNCTION

To activate massage functionality, press the 'Massage' button on the remote control during the rear or female wash cycle.

Press once to activate the oscillating massage (one indicator light).

Press twice to activate the pulsating massage (two indicator lights).

Press three times to activate both oscillating and pulsating functions simultaneously (three indicator lights).

Alternatively, during the rear or female wash cycle, the oscillating massage function can be activated using the toilet control knob. Press the Rear Wash or Female Wash button once to begin, then press the same button again to switch to the alternate massage function.

## STOP FUNCTION

To stop the rear washing, female washing or drying functionality before the applicable process has completed, press the 'Stop' button on the remote control or the middle button on the toilet control knob.

## **WATER FLOW RATE**

To adjust the water flow rate during the rear or female washing process, press the 'Adjust flow' button on the remote control, then press the 'Increase' or 'Decrease' button as required.

Alternatively, you can adjust the flow rate via the toilet control knob. Turn it clockwise to increase the flow, or anticlockwise to decrease it.

## **NOZZLE POSITION**

To adjust the nozzle position during the rear or female washing process, press the 'Adjust position' button on the remote control, then press the 'Decrease' or 'Increase' button to move it forward or backward.

Alternatively, you can adjust the nozzle position via the toilet control knob. Pull the knob and turn it clockwise to move the nozzle forward, or anticlockwise to move it backward.

## **WATER TEMPERATURE CONTROL**

To adjust the water temperature during the rear or female washing process, repeatedly press the 'Adjust temperature' button on the remote control until the water temperature icon is displayed. Next, press the 'Increase' or 'Decrease' button to alter the temperature as required.

Alternatively, you can change the water temperature by pressing either the plus or minus symbol button on the toilet control knob.

To adjust the air temperature during the drying process, repeatedly press the 'Adjust temperature' button on the remote control until the air temperature icon is displayed. Next, press the 'Increase' or 'Decrease' button to alter the temperature as required.

Alternatively, you can change the water temperature by pressing either the plus or minus symbol button on the toilet control knob.

## **AIR TEMPERATURE CONTROL**

To adjust the air temperature during the drying process, repeatedly press the 'Adjust temperature' button on the remote control until the air temperature icon is displayed. Next, press the 'Increase' or 'Decrease' button to alter the temperature as required.

Alternatively, you can change the water temperature by pressing either the plus or minus symbol button on the toilet control knob.

## DEODORISE FUNCTION

The deodorise function has a smart mode, which is the default setting, and a close mode which keeps the function switched off.

In smart mode, the function automatically turns on when a user is seated on the toilet.

If either the rear wash, female wash, or drying functions are used, the deodorise function will continue for one minute after the user leaves the toilet seat. If none of these functions are used, the deodorise function will instead continue for 15 minutes after the user leaves the toilet seat.

To switch between the smart mode and close mode, press the 'Deodoriser' button on the remote control. One light indicates that the function is in close mode, and two lights indicate that it's in smart mode.

You can also manage the function via the toilet control knob. Pull it forward and turn it clockwise to turn off the deodorise function, and clockwise again to turn it back on.



## LIGHT SETTINGS

The Intellismart toilet has three night light settings which can be selected by pressing the 'Night light' button on the remote control:

### **Smart mode**

This setting ensures that the night light will automatically switch on in a dark environment, and automatically switch off in a bright environment. On the remote control, three indicator lights are displayed when the light is switched to this setting.

### **Always on mode**

This setting ensures that the night light stays switched on regardless of environment lighting. On the remote control, two indicator lights are displayed when the light is switched to this setting.

### **Close mode**

This setting ensures that the night light stays switched off regardless of environment lighting. On the remote control, one indicator light is displayed when the light is switched to this setting.

Alternatively, the light settings can be selected via the toilet control knob. Lift the toilet cover and seat, pull the knob forward, then turn it anticlockwise to select the desired setting.

### **Ambient light**

In addition, the toilet features an ambient light which is turned on by default. To switch off the light, lift the seat cover, pull forward the toilet control knob, and turn it in the clockwise direction. To turn it back on, turn the knob again in the clockwise direction.

## SOUND SETTINGS

By default, the toilet will make a short beeping sound when functions are selected or adjusted.

To turn off the sound, open the cover and be seated, pull forward the toilet control knob, and turn it anticlockwise - a long beep will signal that the sound has been switched off. To turn the sound back on, turn the knob anticlockwise again until there is a short beep.

## USER SETTINGS

### **Save user settings**

Once you've adjusted the settings of the water temperature, flow rate, air temperature, and nozzle position as desired, you can save your preferred settings to a user profile. To do this, simply hold the 'User 1' or 'User 2' button on the remote control for more than three seconds and the information will be saved.

### **Retrieve user settings**

Before using the washing or drying functionality, press the relevant user button ('User 1' or 'User 2') on the remote control to activate your preferred water temperature, flow rate, air temperature and nozzle position settings.

## POWER STANDBY SETTINGS

To activate the power standby mode, press and hold the middle button on the toilet control knob for more than six seconds. To exit the standby mode, press and hold the middle button again for six seconds.

Please ensure that you are not seated on the toilet before putting the toilet in standby mode.

## ONE-ON-ONE SETTINGS

When installing multiple Intellismart toilets within the same space, each remote control must be individually paired with its corresponding toilet.

Please ensure you are not seated on the toilet while completing the following steps.

- 1** Open both the cover and the seat. Confirm the night light is set to Close mode (refer to Light Settings if required).
- 2** On the remote control, press and hold the Stop and Adjust Temperature buttons simultaneously until a short beep sounds and the plus (+) and minus (-) indicators appear.
- 3** Release the Stop button while continuing to hold the Adjust Temperature button.
- 4** Press User 1, then User 2, and release the Adjust Temperature button. The indicator light will display the current product ID code.
- 5** Use the plus (+) or minus (-) buttons to select the desired ID code. There are 32 available codes; Code 1 is set as default.
- 6** Once the preferred ID code is selected, press Stop on the control knob, followed by Stop on the remote control. A long beep will confirm that the pairing process is complete.

## FITTING / REPLACING BATTERIES

The remote control requires two 1.5V LR3/AAA batteries. When the user lights flash continuously, the batteries need to be replaced.



# CARE INSTRUCTIONS

## GENERAL CLEANING

To clean and maintain the flawless finish of this product, please follow the below instructions. Improper maintenance will void your product guarantee.

Clean the Intellismart on a daily basis with a soft, lint-free cloth to remove water droplets and prevent limescale stains.

At least once per week, clean all the surfaces of the Intellismart toilet with a mild cleaning agent.

Check and clean the nozzle on a weekly basis.

Around once per month, clean the ceramic areas of the toilet with a low acidic cleaning agent (e.g. heavily diluted citric acid).

Replace the filter approximately every six months.

Do not use abrasive cleansers or cloths.

## NOZZLE CLEANING

To manually clean the nozzle, lift open the toilet cover and seat before turning the toilet control knob in a clockwise direction. The nozzle will extend and spray water, enabling you to manually clean it, before retracting after five minutes. Alternatively you can retract the nozzle by pressing the 'Stop' button on the control knob.

## REPLACING THE FILTER

The filter has a service life of approximately six months, however this can vary depending on the water type of the installation area. Generally, the filter should be replaced around twice per year, or if the water flow rate of the wash functions is noticeably slow.

## WATER TANK SELF-CLEANING PROCESS

When the toilet has not been used within the last 72 hours, the water tank will automatically run a self-cleaning process when a user activates a wash function. The self-cleaning process cannot be overridden by other commands, and takes around three minutes to complete.

## DRAINING THE WATER TANK

If you need to drain the water tank, please ensure that the power is turned off before disassembling the toilet, and follow the steps below. You must also avoid inverting or tilting the toilet before you finish draining the water tank.

- 1 Using appropriately sized pliers, carefully turn the drainage plug to 'OPEN', remove the plug, and the tank will begin to drain.
- 2 Once the tank is fully drained, replace the plug, and use the pliers to turn it to the 'CLOSE' position.

# TROUBLESHOOTING

If your Intellismart Bidet Toilet isn't working correctly, please check the table below for guidance on how to resolve potential issues. If the problem persists, our team is on hand to help - please contact us on 020 3370 4057.

	CAUSE	REMEDY
The wash functions are not working.	The power supply is off.	Please turn on the power.
	The water supply is off.	Please open the inlet valve, or check if there is a water outage.
	The filter may be blocked.	Please replace the filter (filters have a service life of approximately 6 months).
	Incorrect seating position.	Please sit on the seat and adjust your position.
	Seat cover is closed.	Please open the seat cover and sit on the seat.
	The functionality hasn't been used for 72 hours.	The toilet will automatically go into self-cleaning mode for approximately three minutes when the wash functionality hasn't been used for more than 72 hours. Please wait for the self-cleaning function to finish before trying the wash functionality again.
The nozzle goes back suddenly.	The nozzle stops spraying after three minutes when the washing process is complete.	This is how the function is intended to work, however you can restart the washing process by pressing the rear or female wash button.

	CAUSE	REMEDY
	There may be a water supply issue.	Please check if there is a water outage.
	The seat sensor has detected that the user has left the seat.	Please adjust your seating position.
	The seat cover is down.	Please ensure that the seat cover is always lifted up during a washing process.
Low water flow rate.	The water flow rate may be set too low.	Please follow the instructions on page 20 to increase the water flow rate.
	The water supply pressure may be too low.	Please check that the water supply pressure is no higher than 0.07Mpa.
	The filter may be blocked.	Please replace the filter - see page 25 for guidance. The filter has a service life of approximately 6 months.
	The nozzle may be blocked.	Please clean the nozzle - see page 27 for guidance.
Low water temperature.	The water temperature may be set too low.	Please adjust the water temperature by following the guidance on page 20.
	The temperature of the water supply may be too low.	Please adjust the water temperature or decrease the flow rate by following the guidance on page 20.
The nozzle comes out slowly.	This is due to the nozzle's self-cleaning function.	This is how the function is intended to work.

	CAUSE	REMEDY
The water flows out but the nozzle does not immediately come out.	As the beginning of a washing function, the nozzle is self-cleaned.	This is how the function is intended to work.
	A washing function has not been used for more than 72 hours.	In this instance, the nozzle self-cleaning process will activate, which takes around three minutes to complete. It is not possible to activate other functions during this process.
The dryer does not work.	The power supply may not be switched on.	Please ensure that the power is switched on.
	The user is not sat in the correct position.	Please adjust your seating position.
	The cover is closed.	Please lift the cover open and sit on the seat.
	The function has not been used for more than 72 hours.	In this instance, the nozzle self-cleaning process will activate, which takes around three minutes to complete. It is not possible to activate other functions during this process.
The air temperature is too low.	The air temperature setting may be too low.	Please adjust the settings as per the guidance on page 20.
	The air heater is not working.	Please contact our Customer Service team.
The night light is always off.	The toilet is within a bright environment.	If the light setting is set to smart mode, the light will not switch on in a bright environment. Adjust the settings as required - please see page 23 for guidance.
	The night light function may be switched off.	Adjust the light settings - please see page 23 for guidance.

	CAUSE	REMEDY
The night light is always on.	The toilet is within a dark environment.	If the light setting is set to smart mode, the light will not switch off in a dark environment. Adjust the settings as required - please see page 23 for guidance.
	Something may be obstructing the toilet control knob.	Remove any obstructions from around the toilet knob.
	The light be set to 'Always on' mode.	Adjust the light settings - please see page 23 for guidance.
The nozzle goes back automatically when manually cleaning.	The nozzle goes back after washing for five minutes.	This is how the function is intended to work.
	The 'Stop' button might have accidentally been pressed.	The manual cleaning process will stop immediately if the 'Stop' button is pressed on the remote control.
	The toilet sensor has detected that the seat is closed.	Please ensure that the seat is fully lifted up during the cleaning process.
The remote control is not functioning.	The batteries may not be installed.	Please install the correct batteries into the remote control.
	The battery power may be too low.	When the user lights flash continuously, please replace the batteries.
	The One-On-One code may differ between the remote control and the toilet.	Please follow the guidance on page 25 to link the remote control with the toilet.

	CAUSE	REMEDY
There is a beep sound when the toilet is working.	There is a short beep when a user sits down, a longer beep when a user leaves the seat, and a short beep when the toilet receives commands.	This is how the toilet is intended to work, however you can switch off the sound by following the guidance on page 23.
The toilet is not working correctly.	This may be due to an unknown issue.	Please turn off the power and switch back on after one minute. If the problem persists, please contact our Customer Service team.
The light on the toilet control knob flashes twice with a constant beep.	The water supply temperature may be too high.	Please turn off the power and water supply, refrain from using the product, and contact our Customer Service team.
The light around the toilet control knob keeps flashing.	This may be due to a product issue.	Please check that the power supply and water supply are working as expected, then turn off the power and restart the product. If the problem persists, please contact our Customer Service team.



# LUSO

Customer Care: 020 3370 4057

International: +44 20 3370 4057