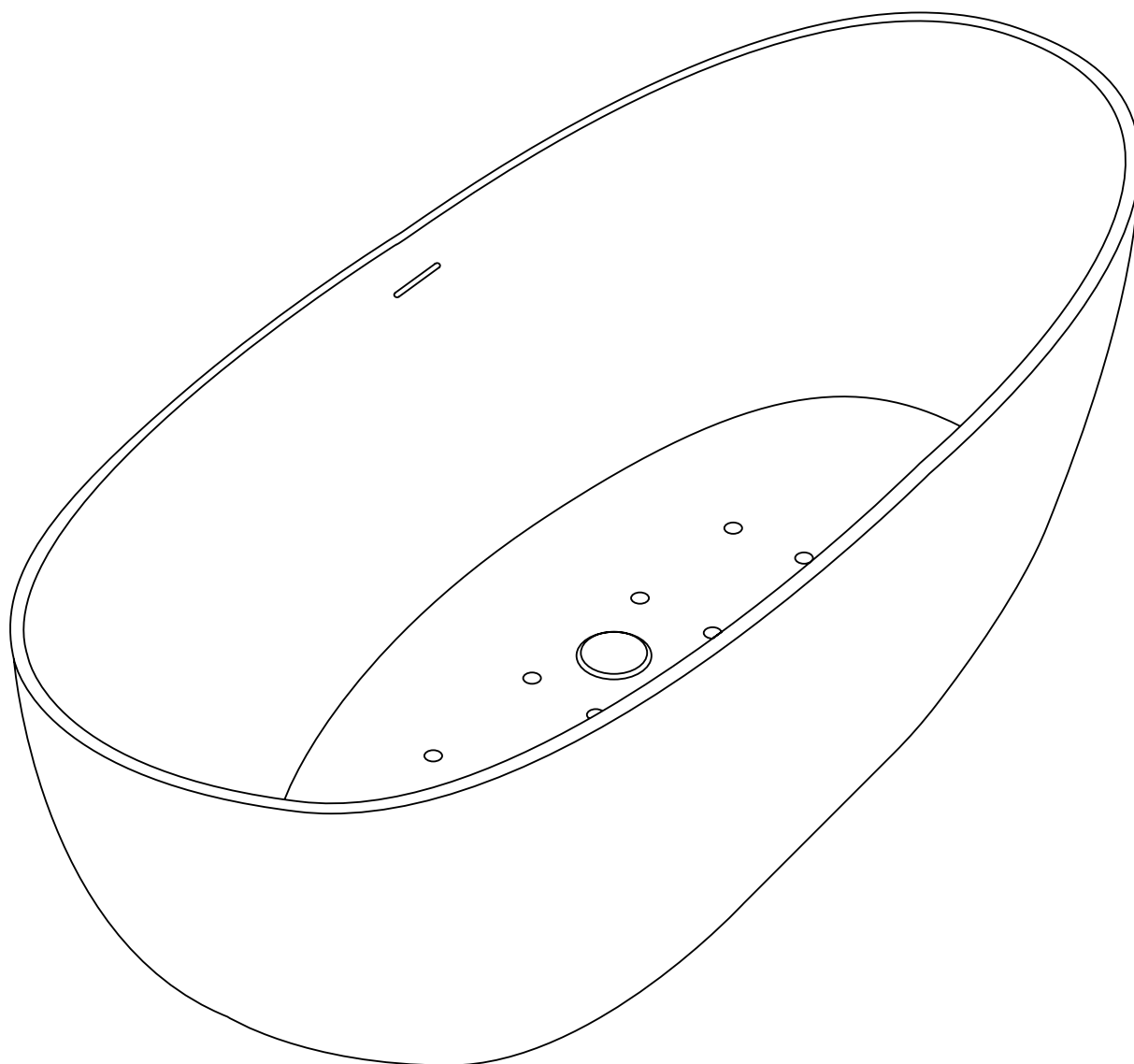


AIRWAVE

FREESTANDING AIR SPA BATH



EN
INSTALLATION
AND CARE GUIDE

Please retain for future reference

LUSO

INTRODUCTION

Thank you for purchasing our AirWave bath.

Please read this guide carefully before installing, using and cleaning this product, and retain it for future reference.

If you have any queries in relation to this product or guide, please contact our Customer Service team on 020 3370 4057.

PRODUCT KIT

- A AirWave Bath
- B Remote

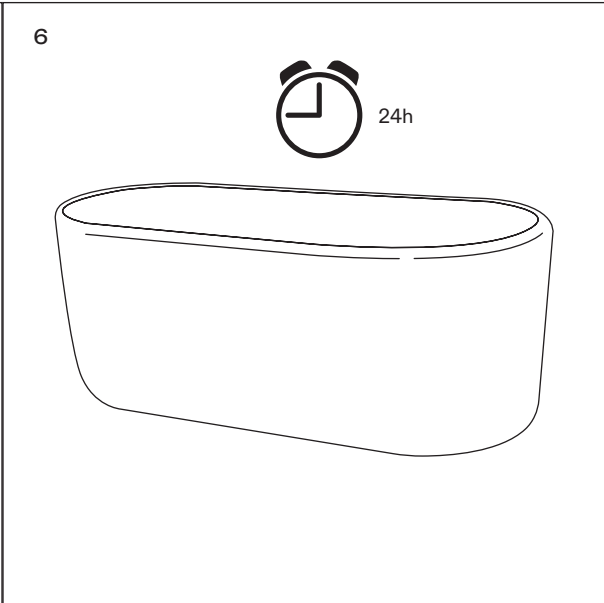
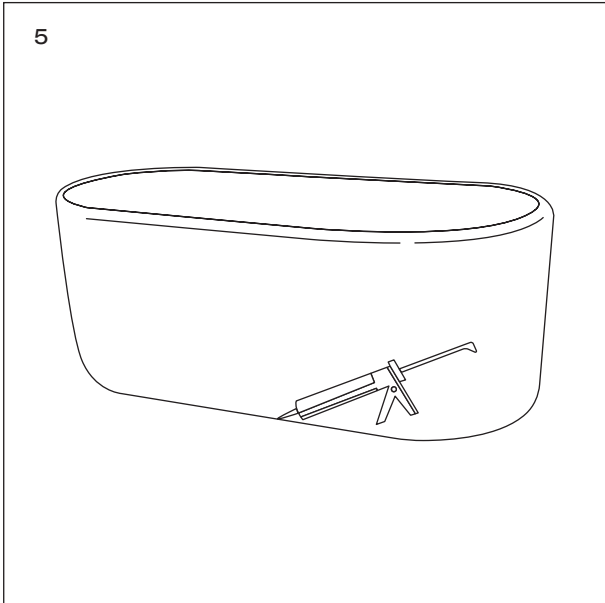
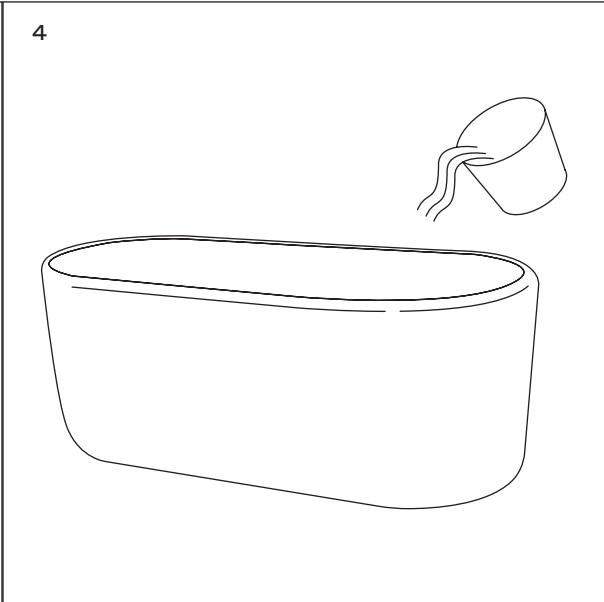
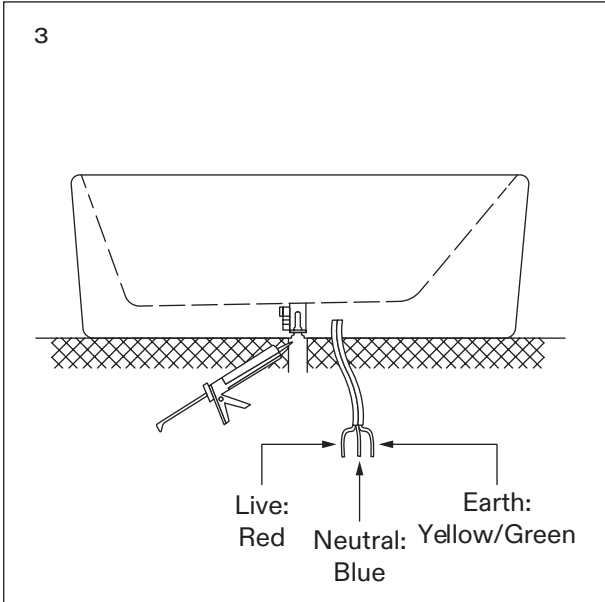
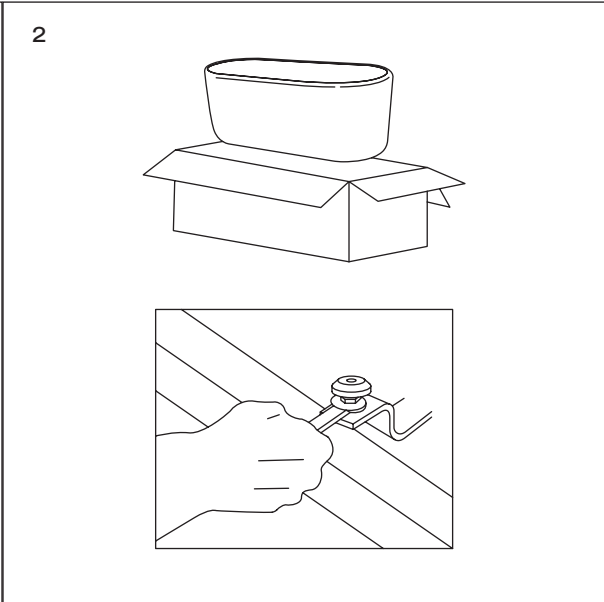
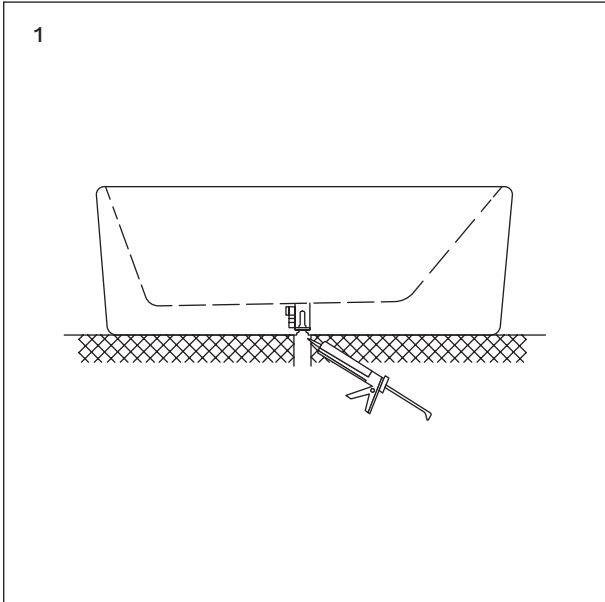
INSTALLATION TOOLS

- A Spirit Level
- B Sealant
- C Adjustable Wrench
- D Screwdriver
- E PTFE Sealing Tape

INSTALLATION STEPS

Before installation, carefully inspect the bath for any visible damage, defects, or missing components. Also verify that the bath is the correct size, colour, and features match the original order. We recommend that it is installed by a fully qualified professional.

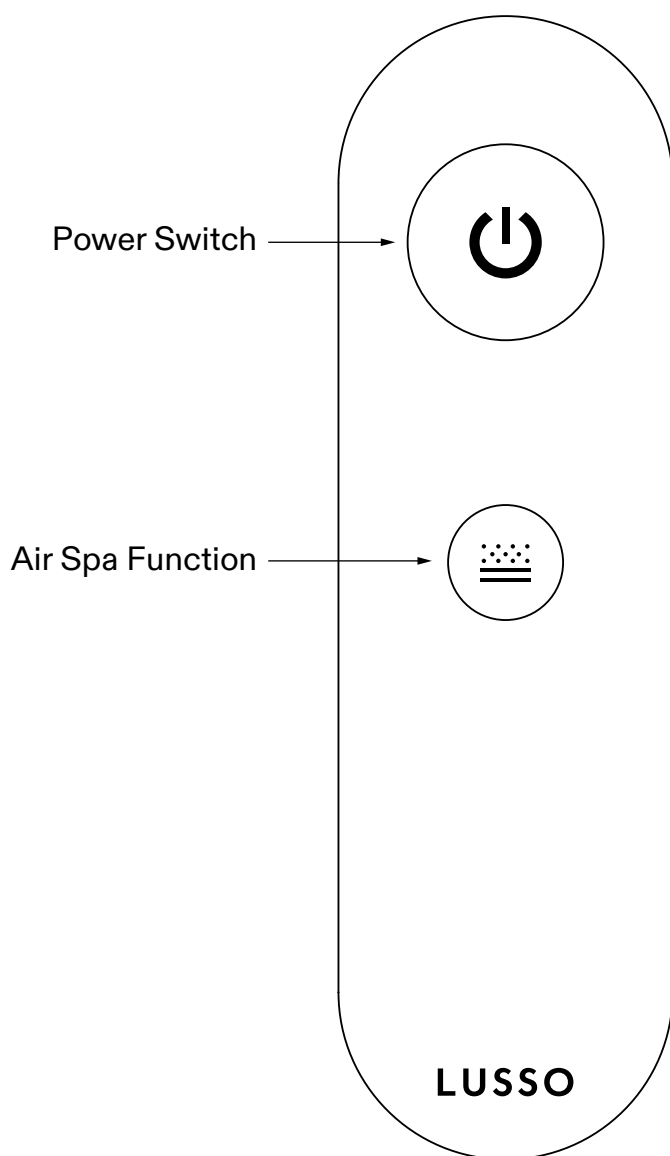
- 1** Determine the location of the waste on the floor by taking measurements of the waste location underneath the bath. Next, clean the waste area in preparation of the installation, and ensure that it's dry and free from debris before moving onto the following step.
- 2** After carefully removing the bath from its packaging, place it into position and carefully adjust the foot screws to ensure that the bath is level.
- 3** Connect the provided flexible waste into the floor before sealing the connection between the parts with a PVC pipe sealant. The bath must be connected to a power circuit that is protected by an RCD (Residual Current Device) fuse box and wired through a 13A fused spur. Always turn off the main power supply before handling any electrical wires.
- 4** Once the electrical and plumbing work is complete, fill the bath with water to check that it is level, ensure there are no leaks, and test that the air spa function is working correctly and that the water drains correctly.
- 5** Ensuring that the bath is dry, apply silicone across the bottom of the bath to create a seal, then apply a bead of silicone around the edges of the bath base. Gently remove any excess silicone where the bathtub meets the floor.
- 6** Before using the bath, allow 24 hours for the silicone to set.



OPERATION INSTRUCTIONS

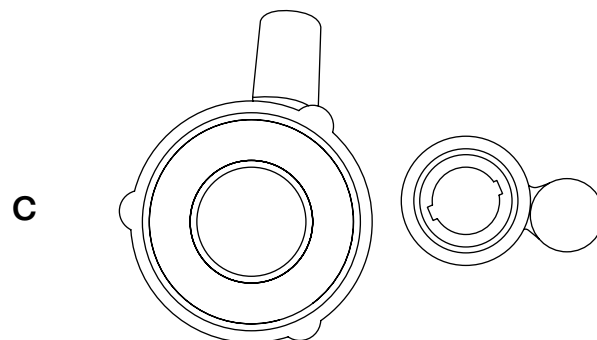
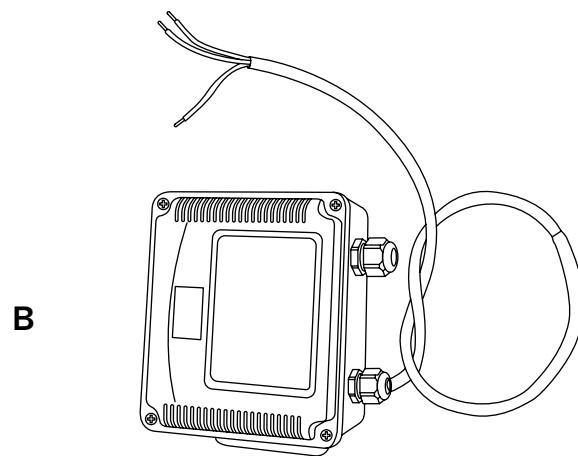
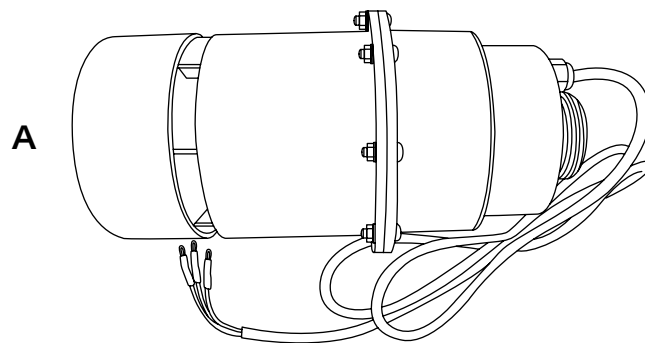
- 1 Press the power switch to start. The LED light will indicate when on.
- 2 Press the Air Spa Function button to start the air spa.

NOTE: The air pump automatically stops after 60 minutes.



PART BREAKDOWN / ELECTRICAL PARAMETERS

- A** Air Spa Pump (220-240V 50/60Hz)
- B** Power (220-230V)
- C** Air Jets



TROUBLESHOOTING

Can I test the pump before the bath is filled with water?

Never run the pump when the AirWave bath is dry, as this could cause damage.

Do I need to test the AirWave bath after installation, even if it was factory-tested?

Yes. Each unit is factory water-tested, but shipping processes may loosen joints or fittings. Fill the bath and run a full test to check proper operation before final use.

Is acrylic porous?

Our lightweight acrylic material is crafted with a premium non-porous surface that is extremely thick which ensures the bath will maintain an immaculate condition for years to come.

CARE INSTRUCTIONS

To clean and maintain the flawless finish of this product, please follow the below instructions. Improper maintenance will void your product guarantee.

- ✓ We recommend cleaning the bath, daily or weekly, with warm soapy water and a soft microfibre cloth to wipe down the surface.
- ✓ For more stubborn residue, non-abrasive cleaners work well without damaging the finish.
- ✓ The air jets of the spa bath can be removed easily to clean with warm soapy water, leaving them untreated will cause limescale buildup and potentially damage your air spa system.
- ✓ By cleaning regularly with care you'll preserve the bath's appearance for many years to come.
- ✗ Do not use acidic cleansers.

Go to Lusso.com to activate your guarantee.

LUSO

Customer Care: 020 3370 4057

International: +44 20 3370 4057